



PNEUMATIC ACTUATED HYGIENIC BUTTERFLY VALVE (FOR FOOD INDUSTRY) (PAV-813.DA)



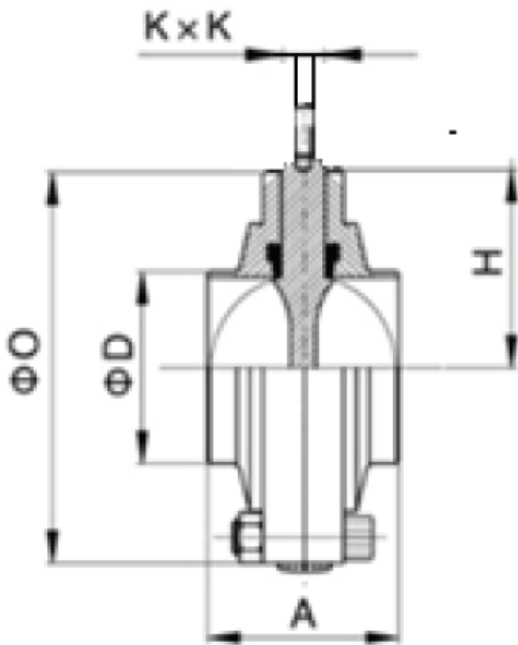
Butterfly Valve Specifications

Body	: SS304 or SS316
Disc	: SS304 or SS316
Working Pressure	: PN6, PN10, PN16
Flange Connection	: PN6, PN10, PN16
Cover Flange	: DIN 11850-2
Way	: 2/2
Size	: DN25...DN100
Applications	: • Hygienic Fluid Flow Control • Food Application • For purpose of drain and stopper at the end of the line
Sealing	: EPDM (on request; Viton)

Pneumatic Actuator Details

Type	: Single Acting, Double Acting
Position	: 2 Positions, 3 Positions
Angle of Rotation	: 90°, 120°, 180°
Protection Class	: IP65, IP68
ATEX Protection Class	: II 2GDc T4
Working Pressure	: 4...8 Bar
Working Temperature	: -10°C...+80°C (-50°C...80°C)
Torque Range	: 9Nm...5162 Nm
Body	: Aluminium Extrusion
Stroke Adjustment	: ±5°
Accessories	: Switch Box, Namur Valve, Positioner, Manual Override
Fluid Control	: On/Off, Proportional
Valve Connection	: ISO 5211
Accessories Connections	: Namur standards

► BUTTERFLY VALVE SIZES



Butterfly Valve Code

: Tork-KV.W813

Double Acting Actuated Butterfly Valve Code : PAV-812.DA

DN	O	D	KxK	A	D't	H
Ø 80	78	19	8x8	50	19*1.5	39
Ø 125	78	23	8x8	50	23*1.5	39
Ø 150	78	29	8x8	50	29*1.5	39
Ø 200	86	35	8x8	50	35*1.5	43
Ø 250	86	41	8x8	50	41*1.5	45
Ø 150	103	53	10x10	52	53*1.5	53
Ø 200	124	70	10x10	58	70*2	62
Ø 250	139	85	10x10	60	85*2	69.5