

Cyrogenic Solenoid Valve S9610 - S9710 Series (G3/8", G1/2", G3/4", G1")

GENERAL FEATURES

- Liquid nitrogen (-320 ° F / -194 ° C), liquid argon (-303 ° F / -184 ° C), and liquid oxygen (-297 ° / -181 ° C)
- Internal Parts : Stainless Steel
- Seals : PTFE
- Fluid Temperature : -196°C to +90°C
- Ambient Temperature : max +50°C

ELECTRICAL CHARACTERISTICS

- Continuous Duty : ED %100
- Coil Insulation Class : H (180°C)(IEC 85)
- Coil Impregnation : Polyester Fiber Glass
- Protection Degree : IP68
- Electrical Safety : IEC 335
- Standard Voltages : AC 12V 15VA, 24V 15VA, 48V 15VA, 110V 230V 15VA, 230V 24VA
DC 12V 18W, 24V 18W, 48V 18W, 110V 18'

On request other voltages

- Voltages Tolerance : AC -15%, +10% DC -5%, +10%
- Frequency : 50 Hz (60 Hz...)

In order, please specify coil voltage. For details, please look at coil section.

MATERIALS IN CONTACT WITH FLUID

- Body : Brass
- Internal Parts : Stainless Steel
- Sealing : Graphite Teflon
- Shading Ring : Copper (EN 12735-1)
- Seats, Core Tube, Springs: Stainless Steel

OPTIONS

- Female connection: BSP; (On request NPT)
- On request Atex (exproof) coil.

TECHNICAL FEATURES

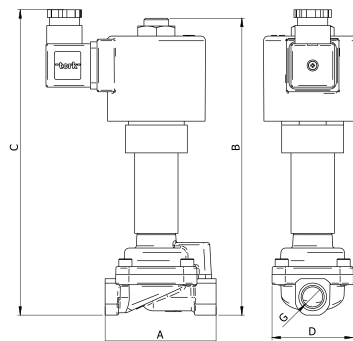
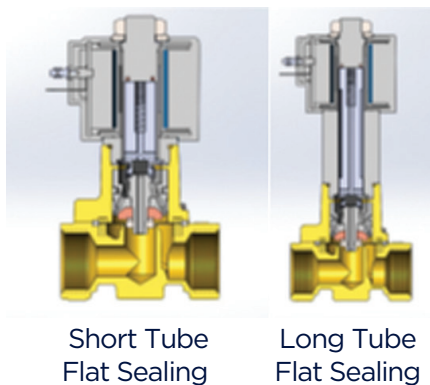
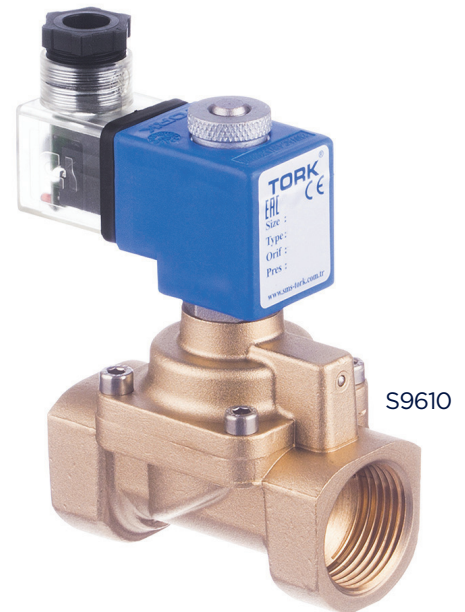
- Max. Viscosity : Max. 21 mm²/s
- Response Time : Opening time : 30 - 40 ms
Closing Time : 30 - 40 ms

NORMALLY CLOSED

2/2 WAY

PILOT OPERATING

ΔP=0



Dimensions (mm)

	G	A	B	C	D
Short Tube	3/8"	72	104.4	115.7	52.5
	1/2"	80	105.9	117.2	52.5
	3/4"	78	112.7	124	52.5
	1"	85	119.2	130.5	52.5
Long Tube	3/8"	72	192	140	52.5
	1/2"	80	193	141	52.5
	3/4"	78	200	147	52.5
	1"	85	207	153	52.5

Solenoid Valve Symbol	Valve Type/Order No	Connection Size	Orifice Size	Pressure min/max		Kv	Seal	Weight
				Bar	Bar			
	S9610 - S9710	G	mm	Bar	Bar	l/min	PTFE	kg
	S9610.02.0125T	3/8"	12,5	0	10	0.6	✓	0,69
	S9610.03.0145T	1/2"	14,5	0	10	1.6	✓	0,73
	S9610.04.0170T	3/4"	17	0	10	4.6	✓	0,81
	S9610.05.0170T	1"	17	0	10	7.5	✓	0,97
	S9710.02.0125T	3/8"	12,5	0	10	4.6	✓	0,95
	S9710.03.0145T	1/2"	14,5	0	10	7.5	✓	1,13
	S9710.04.0170T	3/4"	17	0	10	4.6	✓	1,19
	S9710.05.0170T	1"	17	0	10	7.5	✓	1,23