

## Level Switch RWI



- Installation from inside or outside
- Highly reproducible
- Normally open or normally closed contact

### Characteristics

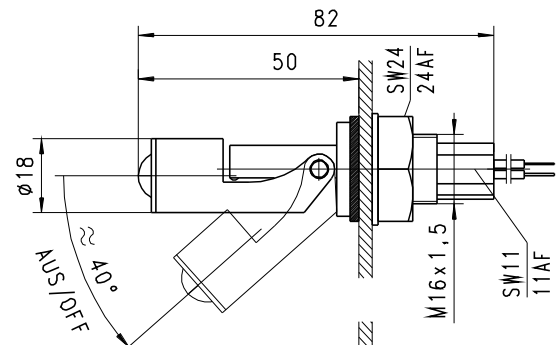
Mechanical level monitor for fluid media, with contact-free triggering of a reed contact.

### Technical data

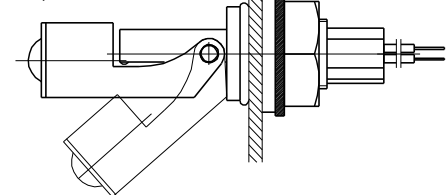
<b>Switch</b>	reed switch	
<b>Process connection</b>	male thread M16x1.5	
<b>Density of medium</b>	PP	≥ 0.60 g/cm <sup>3</sup>
	PVDF	≥ 0.75 g/cm <sup>3</sup>
<b>Pressure resistance</b>	PP	PN 3 bar
	PVDF	PN 6 bar
<b>Medium temperature</b>	PP	-20..+90 °C
	PVDF	-20..+130 °C
<b>Ambient temperature</b>	-20..+70 °C	
<b>Media</b>	water, oils	
<b>Wiring</b>	'normally open' or 'normally closed' No. 0.448	
<b>Switching voltage</b>	max. 250 V AC	
<b>Switching current</b>	max. 0.5 A	
<b>Switching capacity</b>	max. 50 VA	
<b>Protection class</b>	2 - safety insulation	
<b>Ingress protection</b>	IP 65 (optimal IP 00)	
<b>Electrical connection</b>	cable 0.5 m	
<b>Materials medium-contact</b>	PP model: PP, FKM	PVDF model: PVDF, FKM
<b>Weight</b>	0.075 kg	
<b>Installation location</b>	horizontal installation	

### Dimensions

Installation from inside, hole diameter Ø16.5



Installation from outside, hole diameter Ø23



### Handling and operation

- It must be ensured that the values given for voltage, current, and power are not exceeded.
- When switched on, a load must be connected in series.
- The electrical details apply to ohmic loads. Capacitive, inductive and lamp loads must be operated using a protective circuit.
- Not suitable for use in media with ferritic particles.

### Ordering code

RWI -

○=Option

<b>1. Connection size</b>	016	threaded connection M16x1.5
<b>2. Process connection</b>	P	compression fitting
<b>3. Connection material</b>	P	PP
	V	PVDF
<b>4. Electronic connection</b>	K	cable
	F	○ Faston plug

### Options

- Silicone seal
- Transformer 175 V AC, 0.25 A, 3 VA
- Brass connection G 3/4" A