

R3128

Stainless steel AISI 316L pressure regulator,
for compressed air, gas and liquid



FEATURES

Pressure regulator for inlet pressure up to 30 bar (435 psi).

Connections 1-1/2"-GF and 2"-GF by flanges screwed to the body. Connections with EN or Asme flanges available on request.

Outlet pressure is controlled by a rubber diaphragm.
The main valve is balanced.

Available the ATEX 2014/34/EU version.
Brand $\text{CE} \text{ II2GcIICTX}$
 $\text{CE} \text{ II2DcIICTX}$.

For use in potentially explosive atmospheres zones: 1, 21, 2, 22 (not for mines and zone 0).

The product complies with the directive 2014/68/EU PED.

Suitable for industrial applications where high flow rates and good accuracy are required.

Available the EAC TP TC 032/2013 or EAC-EX TP TC 012/2011 versions for the Russian market.

Outlet pressure gauge accuracy class 1.6.

Adjusting screw for outlet pressure 0.2÷1.5 bar and 0.6÷6 bar. Pilot operated version for outlet pressure 1.5÷15 bar.

SPECIFICATIONS

Regulator weight: ~26 Kg (~57 lb)

Standard version operating temperature: -20°C ÷ +60°C (-4°F ÷ +140°F)

Main valve leakage classification: VI (bubble tight)

Flow coefficient: $K_v = 21 \text{ Nm}^3/\text{h}$ $C_v = 24,6 \text{ US gal/min}$

Degree of protection: IP25

G1/4 gauge port on both sides

MATERIALS

Body: stainless steel AISI 316L

Bonnet: stainless steel AISI 316L

Pilot regulator: stainless steel AISI 316L (only for version Pout 1.5÷15 bar)

Internal parts: AISI 316L

Main valve spring: stainless steel AISI 302

Adjusting spring: C85, nickel plated NiP/Fe 15 µm, not in contact with the fluid

Diaphragm: NBR and PTFE coupled diaphragms (PTFE in contact with the fluid)

O-Rings: FPM (other compounds available on request)

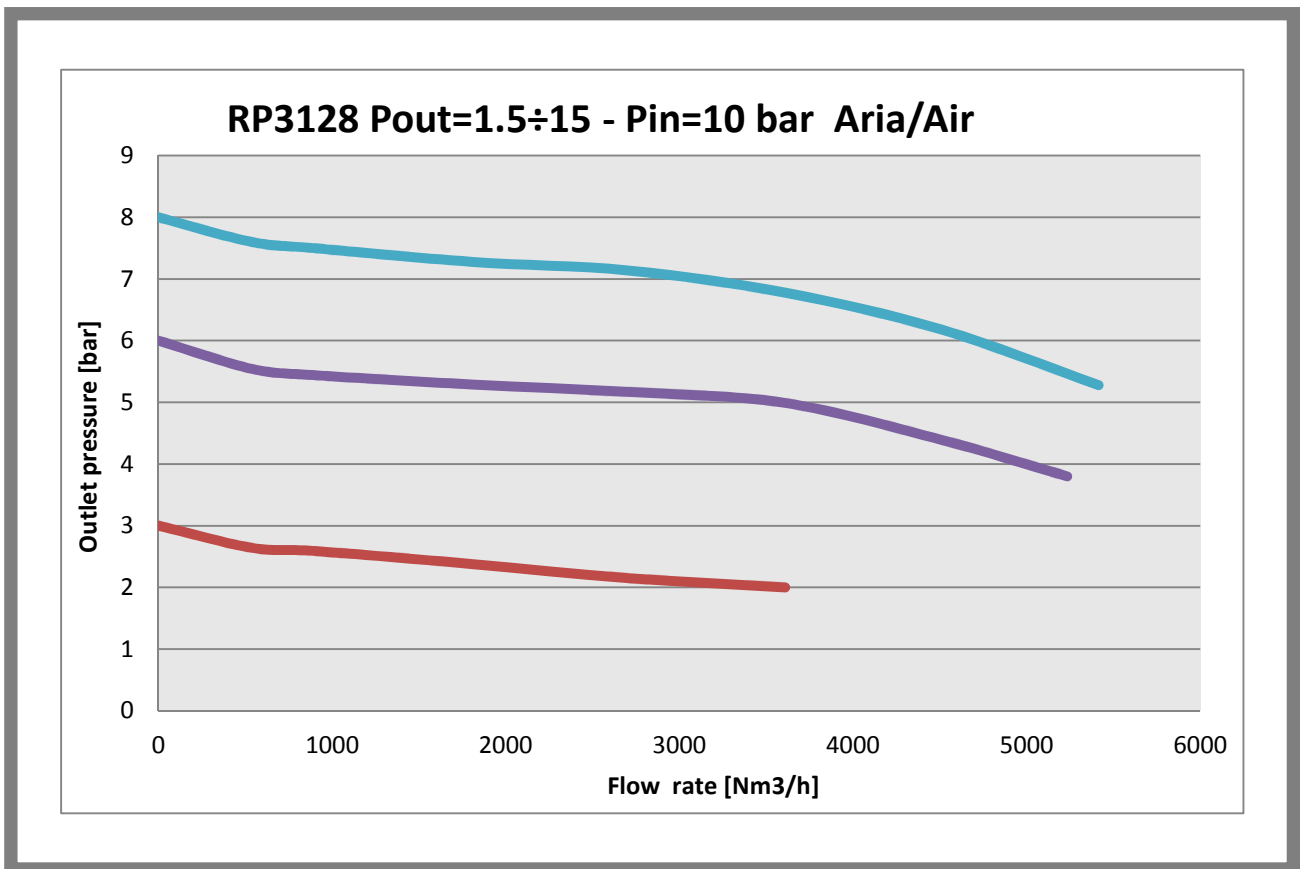
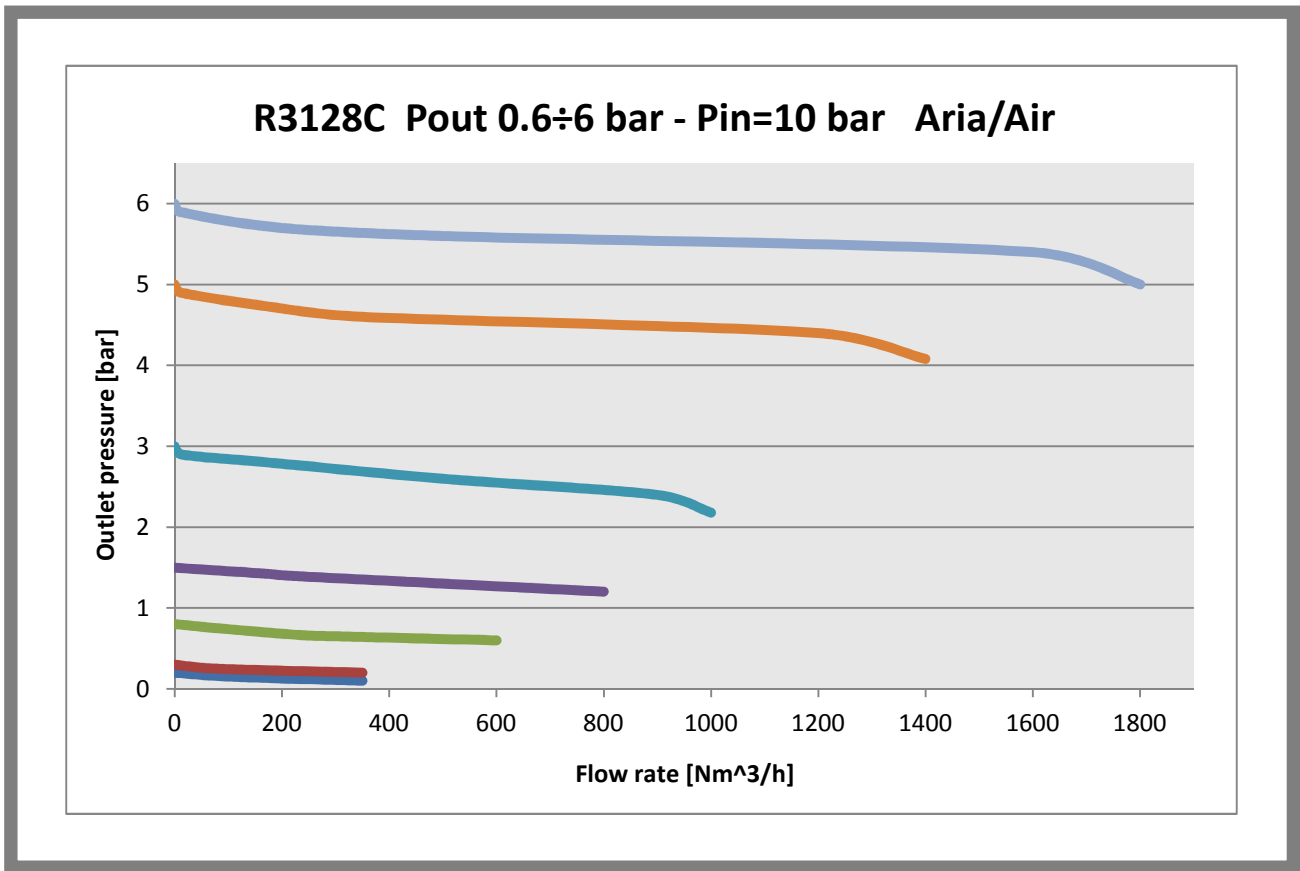
Main valve gasket: FPM (other compounds available on request)

SPARE PARTS

Gauge: accuracy class 1.6

Complete kit: assembled diaphragm, net filter, main valve, O-rings

flow charts



generating the product code

REGOLATORE R3128 AISI 316L			
AA BB CC DD E FF			
AA	Attacchi / Connections	T0	G 2"-F
		S0	G 1-1/2" F
BB	Pressione d'ingresso / Inlet pressure	D0	PS 30 bar
CC	Intervallo d'uscita/ Outlet range	A0	A - Pout 0,2 - 1,5 bar
		E0	D - Pout 1,5 - 15 bar
		H0	C - Pout 0,6 - 6 bar
DD	Tipologia di fluido / Fluid type	15	O2 CAT II
		97	NBR CAT I
		98	EPDM CAT I
		99	FPM CAT I
E	Marchiato / Marked	I	ID
		Z	Dir ATEX 2014/34/UE
FF	Accessori/Accessories	00	Nessun accessorio

CODE COMPOSITION EXAMPLE

3128#T0 D0 H0 99 I 00

3128#: Regulator R3128 AISI 316

T0: Connection G2-F

D0: Maximum inlet pressure 30 bar

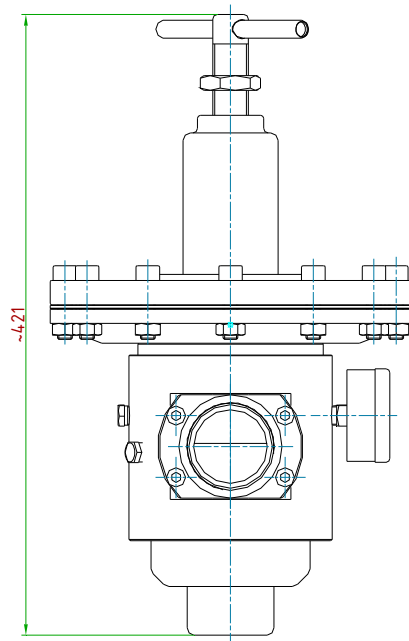
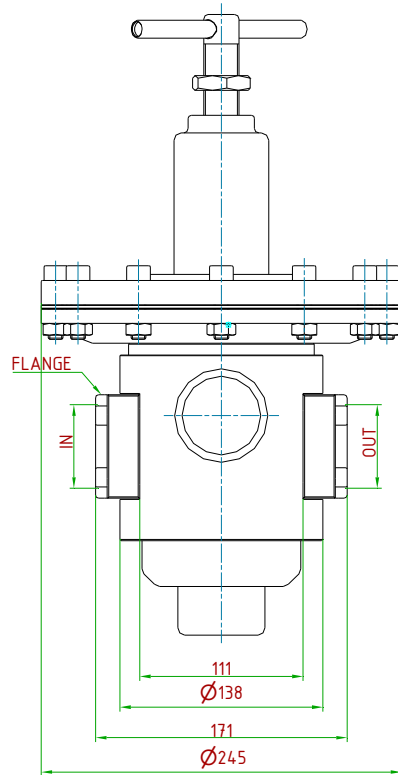
H0: Outlet pressure range 0.6-6 bar

99: FPM O-rings

I: ID

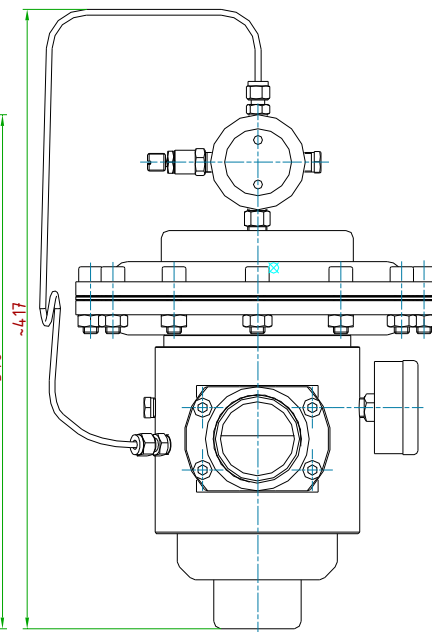
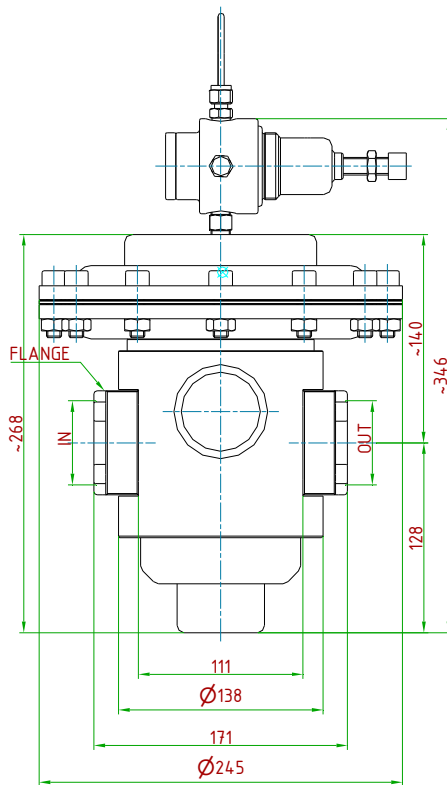
00: No accessories

technical drawings (all dimensions in mm)



TYPE	IN/OUT	FLANGE
2" GF	G 2-F	P37063
1 1/2" GF	G 1 1/2-F	P37062
2" NPTF	2" NPT-F	P37067
1 1/2" NPTF	1 1/2" NPT-F	P37066

Pout 0.2÷1.5 bar e 0.6÷6 bar



TYPE	IN/OUT	FLANGE
2" GF	G 2-F	P37063
1 1/2" GF	G 1 1/2-F	P37062
2" NPTF	2" NPT-F	P37067
1 1/2" NPTF	1 1/2" NPT-F	P37066

Pout 1.5÷15 bar