

# R3126/DN100-R3126/DN80

Stainless steel AISI 316L pressure regulator,  
for compressed air, gas and liquid



## FEATURES

Pressure regulator for inlet pressure up to 30 bar (435 psi).

Flanged connections screwed to the body EN1092-01/01A/DN80/PN40 and EN1092-01/01A/DN100/PN40.

Different available flanges "EN" or "ASME".

Outlet pressure is controlled by a rubber diaphragm.

Balanced main valve.

Available the ATEX 2014/34/EU version.

Branding:  $\text{CE} \text{ II 2 G c I I C T X}$

$\text{CE} \text{ II 2 D c I I C T X}$ .

For use in potentially explosive atmospheres zones: 1, 21, 2, 22 (not for use in mines and zone 0).

The product complies with the 2014/68/EU PED directive.

Available the EAC TP TC 032/2013 or EAC-EX TP TC 012/2011 versions for the Russian market.

Gauges for inlet and outlet pressure (accuracy class 1.6)

Adjusting spring for outlet pressure 0.2÷1.5 bar and 0.6÷6 bar.

Built in pilot regulator for outlet pressure 1.5÷15.

## **SPECIFICATIONS**

Weight EN1092-01/01A/DN80/PN40: ~86.5 kg (~191 lb)

Weight EN1092-01/01A/DN100/PN40: ~89.5 kg (~197 lb)

Operating temperature: -20°C ÷ +60°C (-4 °F ÷ +140 °F) for standard version

Main valve leakage: VI (bubble tight)

Degree of protection: IP25

G¼ pressure gauges ports, flow from left to right

## **MATERIALS**

Body: stainless steel AISI 316L

Bonnet: stainless steel AISI 316L

Pilot regulator: AISI 316L (only for outlet pressure 1.5÷15 bar version)

Internal parts: stainless steel AISI 316L

Main valve spring: C85 nickel plated NiP/Fe 15 µm

Adjusting spring: C85 nickel plated NiP/Fe 15 µm (not in contact with the fluid)

Diaphragm: two coupled diaphragm in Neoprene and PTFE (PTFE not in contact with the fluid)

O-Rings: FPM (different compounds available on request)

## **ACCESSORIES**

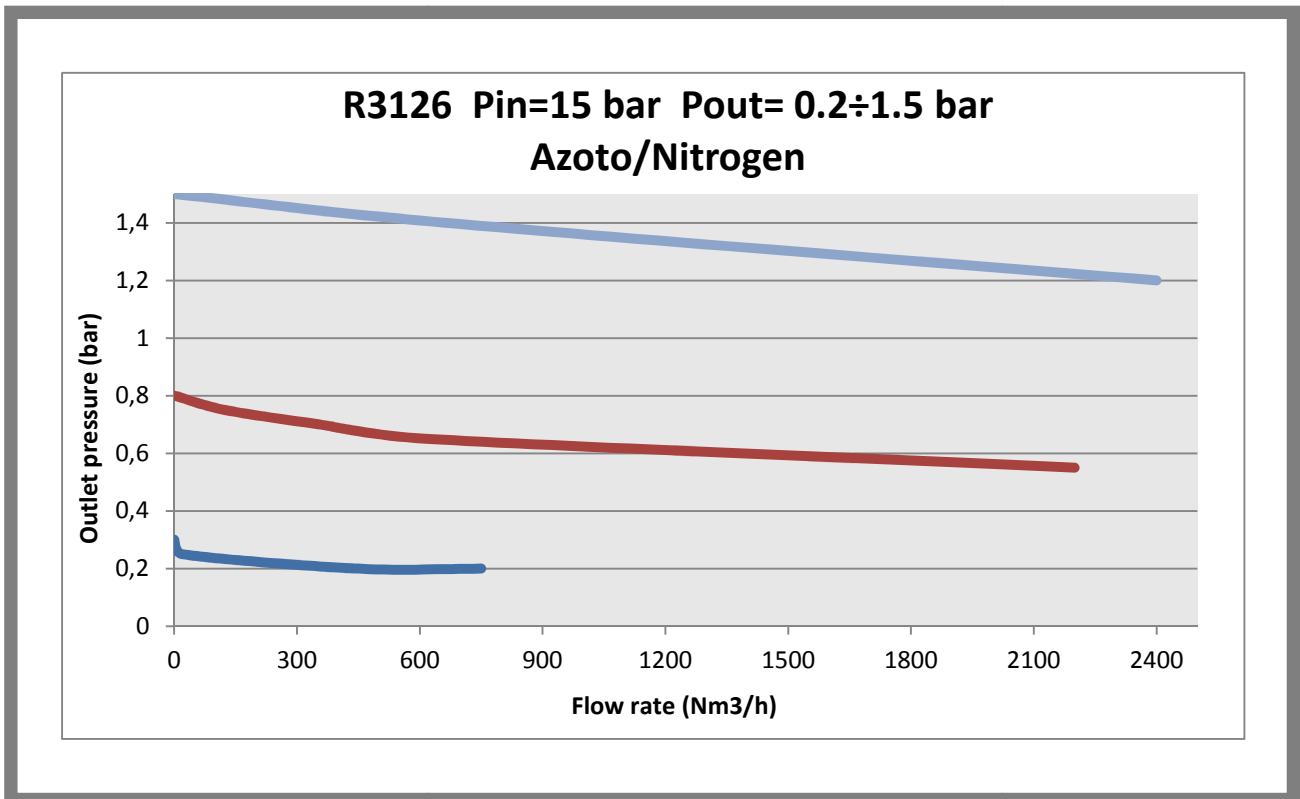
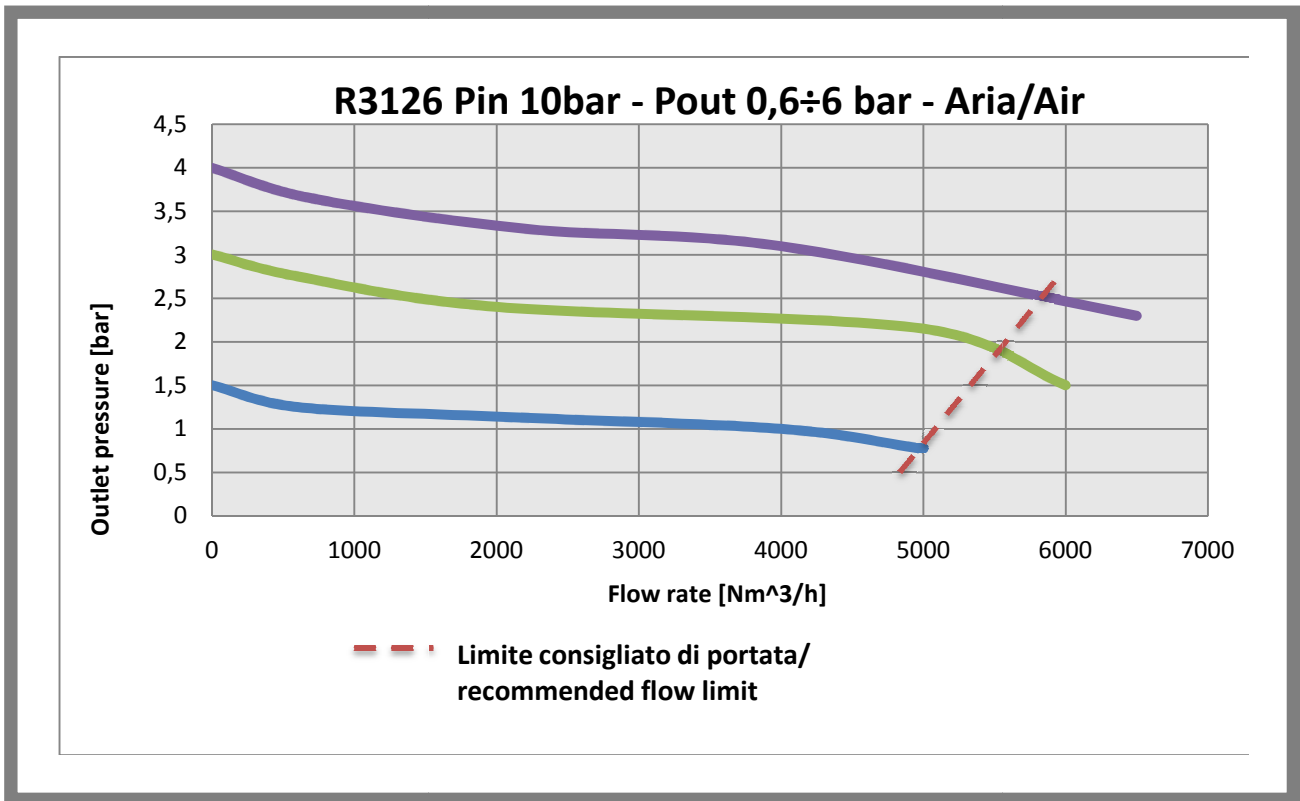
Overpressure relieving function (only for compressed air)

## **SPARE PARTS**

Gauges

Complete kit: assembled diaphragm, main valve, o-rings

# flow charts



## generating the product code

Reg R3126 in AISI 316L			
AA BB CC DD E FF			
AA	Attacchi / Connections	I0	IN/OUT EN1092-01/01A/DN80/PN 40
		K0	IN/OUT EN1092-01/01A/DN100/PN 40
BB	Pressione d'ingresso / Inlet pressure	D0	PS 30 bar
CC	Intervallo d'uscita/ Outlet range	A0	A1 - Pout 0,2 - 1,5 bar <sup>(B)</sup>
		E0	D1 - Pout 1,5 - 15 bar <sup>(B)</sup>
		H0	C1 - Pout 0,6 - 6 bar <sup>(B)</sup>
DD	Tipologia di fluido / Fluid type	99	FPM
E	Marchiato / Marked	I0	ID
		Z	Dir ATEX 2014/34/EU
FF	Accessori/Accessories	00	Nessun accessorio

### CODE COMPOSITION EXAMPLE

**3126#K0 D0 H0 99 I 00**

**3126#:** R3126 AISI 316L regulator

**K0:** IN/OUT EN1092-01/01A/DN100/PN40 flanges

**D0:** maximum inlet pressure 30 bar

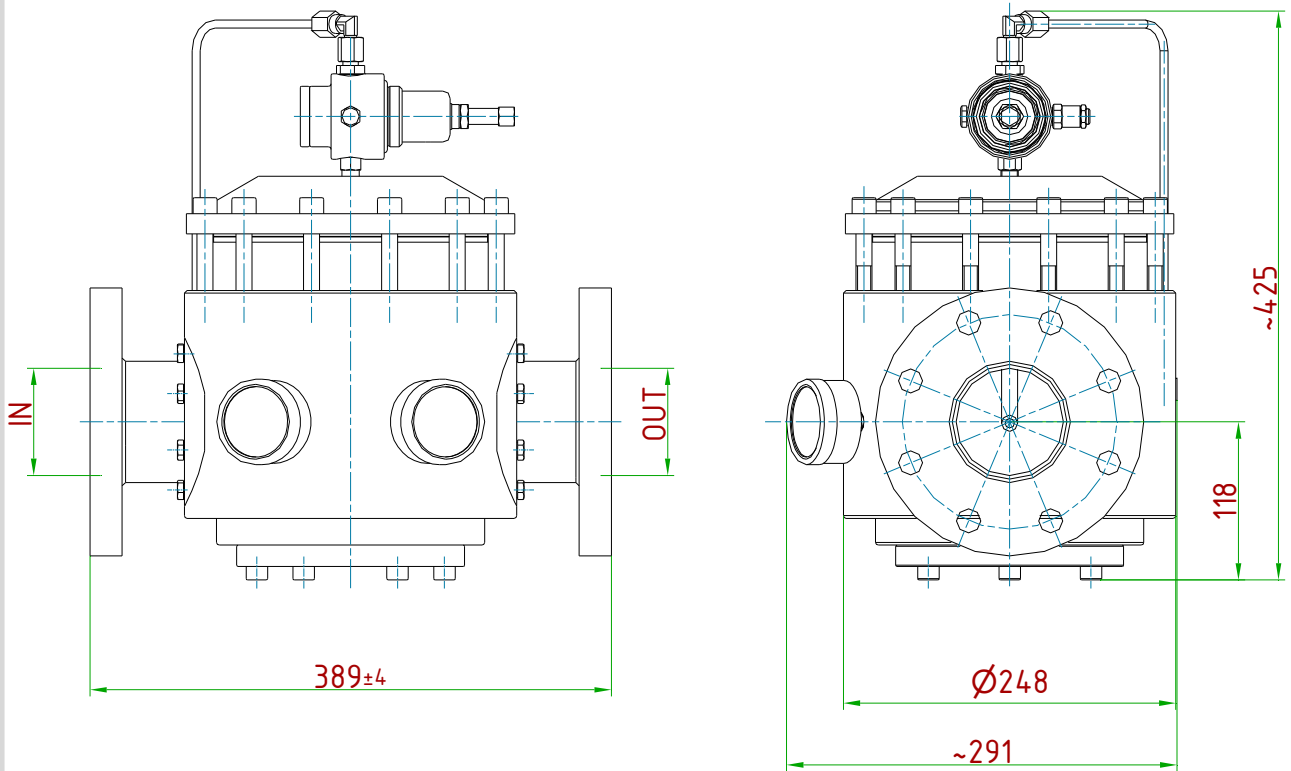
**H0:** outlet pressure range 0.6-6 bar

**99:** FPM gaskets

**I:** ID

**00:** no accessories

technical drawings (all dimensions in [mm])



VERSION	H mm
DOME LOADED	~425
SPRING LOADED	~455

FLANGE		
TYPE	DESCRIPTION	Ø
R3126/DN80	EN1092-01/01A/DN80/PN40	200
R3126/DN100	EN1092-01/01A/DN100/PN40	235