

Hygienic (Stainless Steel) Actuator



Hygienic Actuator

Hygienic actuators use in food, chemical, petrol, beverage, pharmacy, milk industry and stainless steel butterfly valves and stainless steel ball valves.

Hygienic actuators are produced in 3 type: normally close (NC), normally open (NO) and air/air activated.

The actuator is designed that an axial movement of a piston is transformed into a 90° rotation of a shaft. The torque of the actuator is increased when the valve disc contacts the seal ring of the butterfly valve.

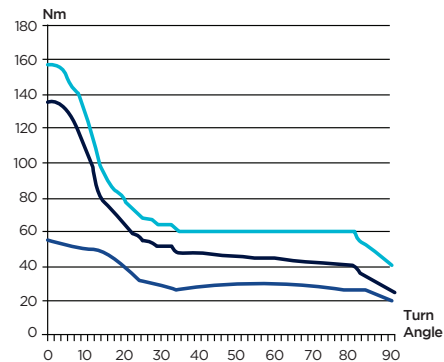
Technical Features

Max. Air Pressure	7 Bar
Min. Air Pressure	4 Bar
Temperature	-20°C ... 80°C On request; -50°C ... 80°C
Opening Time	1,3 Sec
Closing Time	1,3 Sec
Air Connection	1/4" BSP
Weight	2,8 kg

Application

- Bracket is used for connect hygienic actuator to butterfly valve.
- Actuator type is selected according butterfly valve size and torque value.

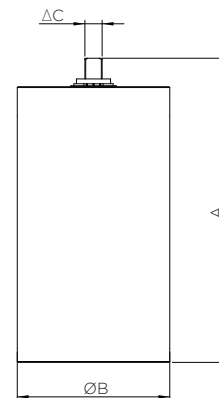
Torque Value (6 bar)



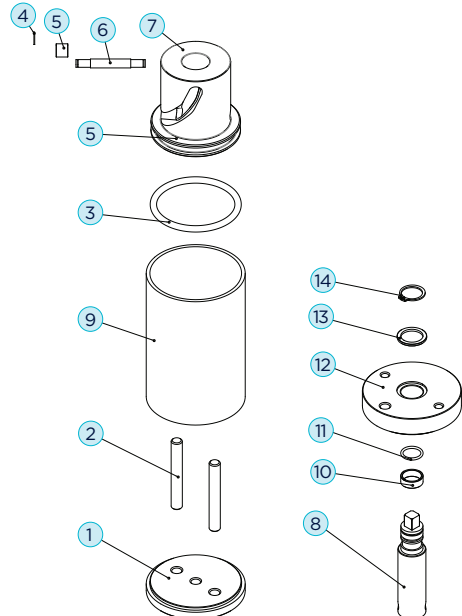
— Double Acting Torque Nm
— Single Acting Air Torque Nm
— Single Acting Spring Torque Nm

Sizes

SIZE	A (mm)	B (mm)	ΔC (mm)
TORK - 85 DA / SR	183	89	8 / 10 / 12



Materials



NO	PARTS	MATERIAL	PIECE
1	Cover Bottom	AISI 316 L Stainless Steel	1
2	Shaft (for Piston)	AISI 316 L Stainless Steel	2
3	O-ring	NBR	1
4	Segman	8.8	2
5	Rulman	Bronze	2
6	Shaft Rulman	AISI 316 L Stainless Steel	1
7	Piston	Kestamid	1
8	Shaft	AISI 316 L Stainless Steel	1
9	Body	ISI 316 L Stainless Steel	1
10	Delrin Shaft	POM-C	1
11	O-ring	NBR	1
12	Cover Up	AISI 316 L Stainless Steel	1
13	Stamp	Bronze	1
14	Segman	8.8	1