

Product Information

Conductivity Cell
LF3733 / LF4733



Characteristics

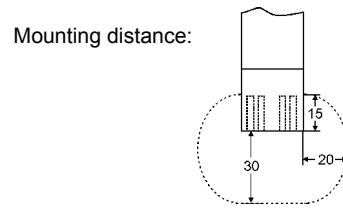
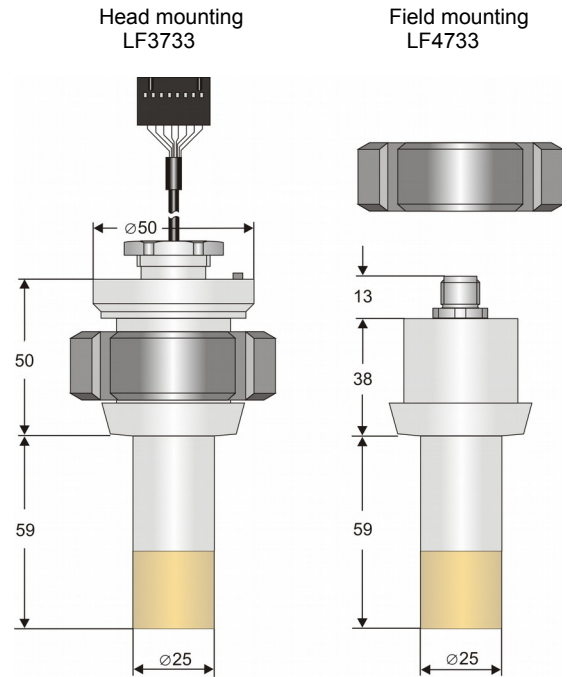
- 4-electrode hygienic cell for milk pipe connection acc. to DIN 11887
- Application fields: food- and chemical industry
- Measuring range from 0..20 µS/cm up to 0..500 mS/cm
- Insensitive against soiling
- No influence from polarization effects and line resistance

Technical data

Cell constant : C = 0.4 exact cell constant labeled on the type plate
 Process temperature : -10..+120 °C
 CIP-/SIP-capable 140°C < 1h
 Process pressure : max. 16 bar
 Process connection : milk pipe acc. to DIN 11887
 Process material : PEEK, PVDF, stainless steel 1.4404 , graphite (electrodes), seal EPDM

Electrical connection
 LF3733 : flat cable connector, only head mounting UNICON-LF
 LF4733 : 8 pole round connector plug M12x1, IP67
 -Material : brass nickel plated
 Temperature measurement : integrated Pt1000 sensor DIN IEC751, class A

Dimensions



Note:
 Cell constant must be checked again, if the free space is less than illustrated.

Ordering code

1. 2.
 LF - C0.4 -

1. Model	
3733	head mounting UNICON-LF
4733	field mounting
2. Process connection (incl. Slot nut 1.4301))	
DN25	
DN40	
DN50	
DN65	
3. Options	
00	without option
03	8 pole round plug SS-type

Connection diagram see page Fehler: Referenz nicht gefunden

Accessories see page Fehler: Referenz nicht gefunden