

**Product Information**

**Conductivity Cell  
 LF3623 / LF4623**



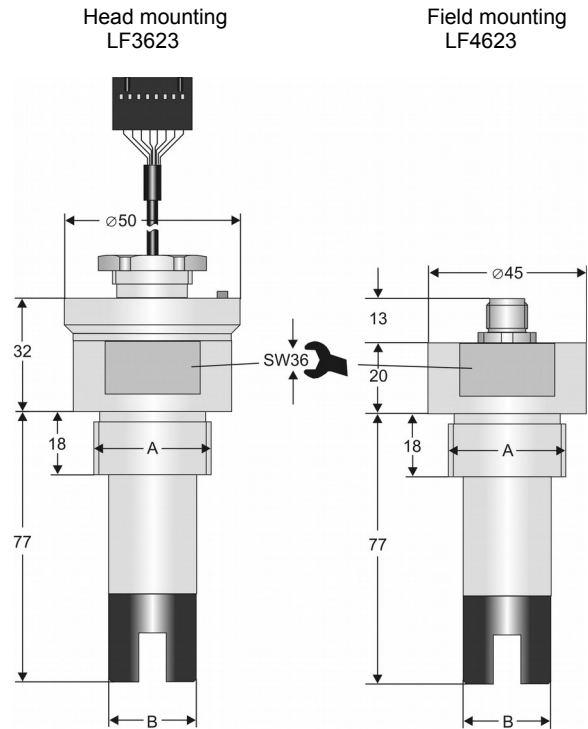
**Characteristics**

- 4-electrode screw-in cell; pipe thread acc. to DIN ISO 228
- Measuring range 0..20 µS/cm up to 0..500 mS/cm
- Insensitive against soiling
- No influence from polarization effects and line resistance

**Technical data**

Cell constant : C = 0.5 exact cell constant labeled on the type plate  
 Process temperature : -10..+120 °C  
 Process pressure : max. 16 bar  
 Process connection : pipe thread acc. to DIN ISO228  
 Process material : PVDF, casting resin, graphite (electrodes)  
 Electrical connection  
 LF3623 : flat cable connector, only head mounting UNICON-LF  
 LF4623 : 8 pole round connector plug  
 -Material : brass nickel plated  
 Temperature measurement : integrated Pt1000 sensor DIN IEC751, class A

**Dimensions**



**Ordering code**

LF  1. - C0.5 -  2. -  3.

<b>1. Model</b>	
3623	head mounting UNICON-LF
4623	field mounting
<b>2. Process connection A</b>	
G ¾ A	
G 1 A	
<b>3. Options</b>	
00	without option
03	8 pole round plug SS-type

Connection diagram see page Fehler: Referenz nicht gefunden

Accessories see page Fehler: Referenz nicht gefunden