

**Product Information**

**Conductivity Cell**  
**LF3433 / LF4433**



**Characteristics**

- 4-electrode conductive flow cell for pipe systems with Clamp-connection acc. to DIN 32676
- Measuring range 0..20 µS/cm up to 0..500 mS/cm
- Insensitive against soiling
- No influence from polarization effects and line resistance

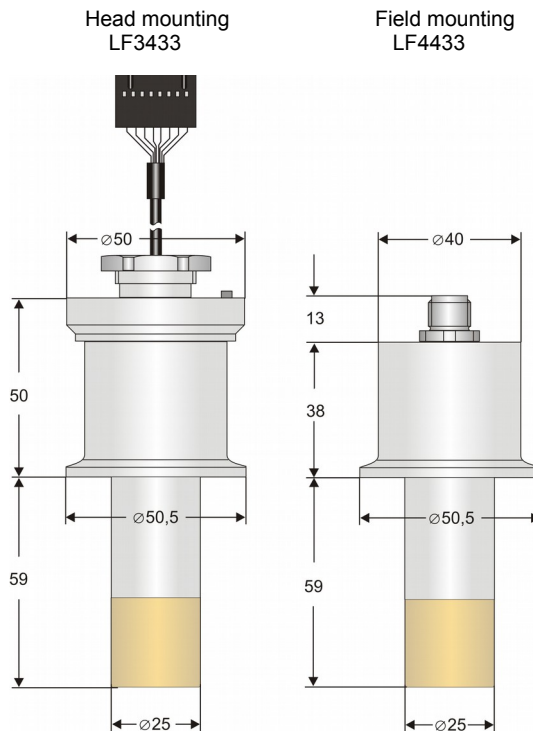
**Technical data**

Cell constant : C = 0.4 exact cell constant labeled on the type plate  
 Operating temperature : -10..+120 °C  
 CIP-/SIP-capable 140°C < 1h  
 Process pressure : max. 16 bar  
 Process connection : Clamp acc. to DIN 32676  
 Process material : PEEK, PVDF, stainless steel 1.4404, Graphite (electrodes), Seal EPDM

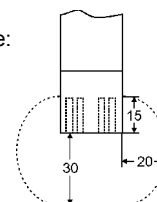
*Electrical connection*  
 LF3433 : flat cable connector, only head mounting UNICON-LF  
 LF4433 : 8 pole round connector plug M12x1, IP67

-Material : brass nickel plated  
 Temperature measurement : integrated Pt1000 sensor DIN IEC751, class A

**Dimensions**



Mounting distance:



Note:  
 Cell constant must be checked again, if the free space is less than illustrated.

**Ordering code**

1.                      2.  
 LF  - C0.4 -

<b>1. Model</b>	
3433	head mounting UNICON-LF
4433	field mounting
<b>2. Options</b>	
00	without option
03	8 pole round plug SS-type

Connection diagram see page Fehler: Referenz nicht gefunden

Accessories see page Fehler: Referenz nicht gefunden