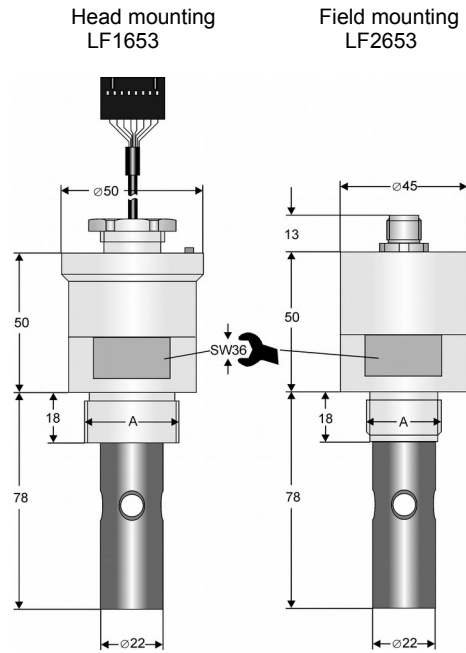


**Product Information**

**Conductivity Cell**  
**LF1653 / LF2653**



**Dimensions**



**Characteristics**

- 2-electrode ultra-pure water cell with pipe thread acc. to DIN ISO228
- Measuring range from 0..0.5 µS/cm up to 0..50 µS/cm

**Technical data**

Cell constant : C = 0.1 exact cell constant labeled on the type plate  
 Process temperature : -10..+120 °C  
 CIP-/SIP-capable 140 °C < 1 h  
 Process pressure : max. 16 bar  
 Process material : stainless steel 1.4404 electropolished; PVDF; seal EPDM

*Electrical connection*  
 LF1653 : flat cable connector, only head mounting UNICON-LF  
 LF2653 : 8 pole round connector plug M12x1, IP67

-Material : brass nickel plated  
 Temperature measurement : integrated Pt1000 sensor DIN IEC751, class A

**Ordering code**

LF  <sup>1.</sup> - C0.1 -  <sup>2.</sup> -  <sup>3.</sup>

<b>1. Model</b>	
1653	head mounting UNICON-LF
2653	field mounting
<b>2. Process connection A</b>	
G ¾ A	
G 1 A	
<b>3. Options</b>	
00	without option
03	8 pole round plug SS-type

Connection diagram see page Fehler: Referenz nicht gefunden

Accessories see page Fehler: Referenz nicht gefunden