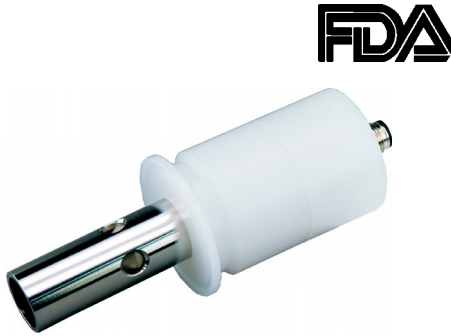
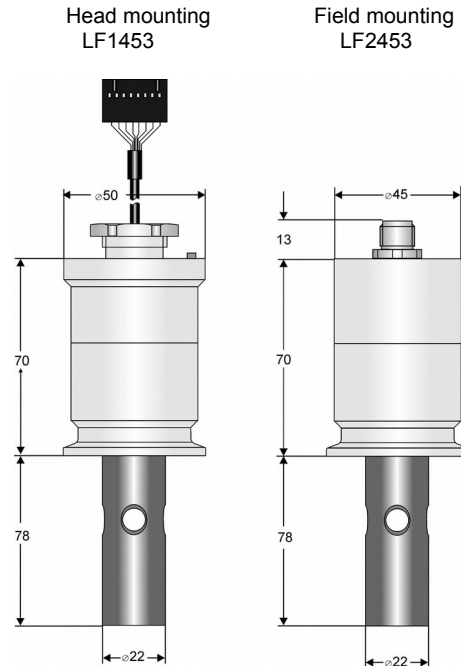


Product Information

**Conductivity Cell
 LF1453 / LF2453**



Dimensions



Characteristics

- 2-electrode ultra-pure water cell with Clamp connection acc. to DIN 32676 or Südmo Aseptic connection
- FDA compliant
- Application field: food industry
- Measuring range 0..0.5 $\mu\text{S}/\text{cm}$ up to 0..50 $\mu\text{S}/\text{cm}$

Ordering code

LF - C0.1 -

Technical data

Cell constant : C = 0.1 exact cell constant labeled on the type plate
 Process temperature : -10..+120 °C
 CIP-/SIP-capable 140 °C < 1 h
 Process pressure : max. 16 bar
 Process material : stainless steel 1.4404 electropolished; PVDF; seal EPDM, FDA-certified

Electrical connection
 LF1453 : flat cable connector, only head mounting UNICON-LF
 LF2453 : 8 pole round connector plug M12x1, IP67

-Material : brass nickel plated
 Temperature measurement : integrated Pt1000 sensor DIN IEC751, class A

1. Model	
1453	head mounting UNICON-LF
2453	field mounting
2. Options	
00	without option
03	8 pole round plug SS-type
11	Process connection Südmo Aseptic, DIN 11850

Connection diagram see page Fehler: Referenz nicht gefunden

Accessories see page Fehler: Referenz nicht gefunden