

# Beck.

The adjustable  
differential pressure switches.



# Differential pressure switch 930.8x Climair®

with adjustable switching pressure



## Applications

Adjustable differential pressure switch for monitoring overpressure, vacuum and differential pressure of air or other non-combustible, non-aggressive gases.

Possible fields of application include:

- Monitoring air filters and ventilators
- Monitoring industrial cooling-air circuits
- Overheating protection for fan heaters
- Monitoring flows in ventilation ducts
- Controlling air and fire-protection flaps
- Frost protection for heat exchangers

## Versions

With this pressure switch the switching pressure can be adjusted without a pressure gauge using a scaled adjustment knob.

Type	Adjustment range from to	Switching differential*	Repeatability of the switching pressure
930.80	20 200 Pa	10 Pa	±5 %, min. ± 5 Pa
930.80B	20 300 Pa	10 Pa	±5 %, min. ± 5 Pa
930.84	30 400 Pa	15 Pa	±5 %, min. ± 5 Pa
930.83	50 500 Pa	20 Pa	±2,5 %, min. ± 5 Pa
930.85	200 1000 Pa	100 Pa	±1 %, min. ± 5 Pa
930.86	500 2500 Pa	150 Pa	±1 %, min. ± 5 Pa
930.87	1000 5000 Pa	250 Pa	±1 %, min. ± 5 Pa

\* typically at beginning of setting range.

Switching pressure specifications apply to vertical installation which is also the recommended position with pressure-pipe connections pointing downwards. If the switches are installed horizontally with AMP connection terminals uppermost, the switching values are approx. 20 Pa higher.

## Maximum operating pressure

10 kPa for all pressure ranges.

## Medium

Air, non-combustible and non-aggressive gases.

## Temperature range

Medium and ambient temperature from . 20°C to +85°C.  
Storage temperature from . 40°C to +85°C.

## Diaphragm material

Silicone, tempered at 200°C, free of gas emissions.  
Other materials available on request.

## Pressure connections

2 plastic pipe connection pieces (P1 and P2), external diameter 6.0 mm:

P1 for connection to higher pressure (marked +)  
P2 for connection to lower pressure (marked . )

## Housing materials

Switch body and Cover of plastic.

## Weight

With cover 150 g, without cover 110 g.

## Mechanical working life

Over 10<sup>6</sup> switching operations.

## Electrical rating

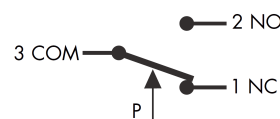
Standard version: max. 1.5 A (0.4 A) / 250 VAC  
Low-voltage version: max. 0.1 A / 24 VDC

## Electrical connections

AMP flat plug 6.3x0.8 mm in accordance with DIN 46244 or push-on screw terminals.

Cable conduit with cable strain relief.

## Arrangement of contacts



- 1 Break contact
- 2 Operating contact
- 3 Power supply line

## Protection category

IP 54 with cover, IP 00 without cover.

## CE Conformity

each depending on technical specification: Low Voltage Directive 2006/95/EC; RoHS Directive 2011/65/EC; Gas Appliance Directive 2009/142/EC; ATEX- Directive 2014/34/EC; ANSI UL508; CSA.

## Specifications according to EN1854

Class of control and regulation function: B  
Deviation:  $m \pm 15 \%$ ,  $m \pm 10 \text{ Pa}$   
Drift:  $m \pm 15 \%$

## Accessories

See order matrix.

## Order matrix

Pressure ranges	20 to 200 Pascal (0.2 to 2.0 mbar) 20 to 300 Pascal (0.2 to 3.0 mbar) 30 to 400 Pascal (0.3 to 4.0 mbar) 50 to 500 Pascal (0.5 to 5.0 mbar) 200 to 1000 Pascal (2.0 to 10.0 mbar) 500 to 2500 Pascal (5.0 to 25.0 mbar) 1000 to 5000 Pascal (10 to 50 mbar)	<b>930.8</b>	<b>0</b>					
			<b>0B</b>					
			<b>4</b>					
			<b>3</b>					
			<b>5</b>					
			<b>6</b>					
			<b>7</b>					
Switching contacts	gold-plated for low voltages, screw terminals enclosed up to maximum 1.5 A (0.4) / 250 VAC, screw terminals enclosed up to maximum 1.5 A (0.4) / 250 VAC with 6.3x0.8 mm flat plugs gold-plated for low voltages with 6.3x0.8 mm flat plugs			<b>1</b>				
				<b>2</b>				
				<b>3</b>				
				<b>4</b>				
Fitting method	mounted directly without bracket				<b>2</b>			
Adjustment knob	scale in mbar scale in Pascal scale in Pascal and inWC					<b>1</b>		
						<b>2</b>		
						<b>3</b>		
						<b>4</b>		
						<b>5</b>		
IP protection category	IP 54 with cable conduit M20x1.5 IP 54 with cable conduit NPT1/2 IP 00 without cover IP 54 with cap nut conduit AF20						<b>2</b>	
							<b>3</b>	
							<b>4</b>	
							<b>5</b>	
Packaging	bulk packed, 45 pcs. per carton bulk packed, folding boxes included individually boxed							<b>1</b>
								<b>2</b>
								<b>3</b>
Accessories	without accessories with S-shaped metal mounting bracket 6402 with L-shaped metal mounting bracket 6401 with Climaset® 6555 with Climaset® 6550 with S-shaped metal mounting bracket 6402 and Climaset® 6555 with S-shaped metal mounting bracket 6402 and Climaset® 6550 with L-shaped metal mounting bracket 6401 and Climaset® 6555 with L-shaped metal mounting bracket 6401 and Climaset® 6550 with S-shaped snap-on plastic bracket 6482 with L-shaped snap-on plastic bracket 6481 with S-shaped snap-on plastic bracket 6482 and Climaset® 6555 with S-shaped snap-on plastic bracket 6482 and Climaset® 6550 with L-shaped snap-on plastic bracket 6481 and Climaset® 6555 with L-shaped snap-on plastic bracket 6481 and Climaset® 6550							<b>1</b>
								<b>2</b>
								<b>3</b>
								<b>4</b>
								<b>5</b>
								<b>6</b>
								<b>7</b>
								<b>8</b>
								<b>9</b>
								<b>A</b>
								<b>B</b>
								<b>C</b>
								<b>D</b>
								<b>E</b>
								<b>F</b>

## Accessories

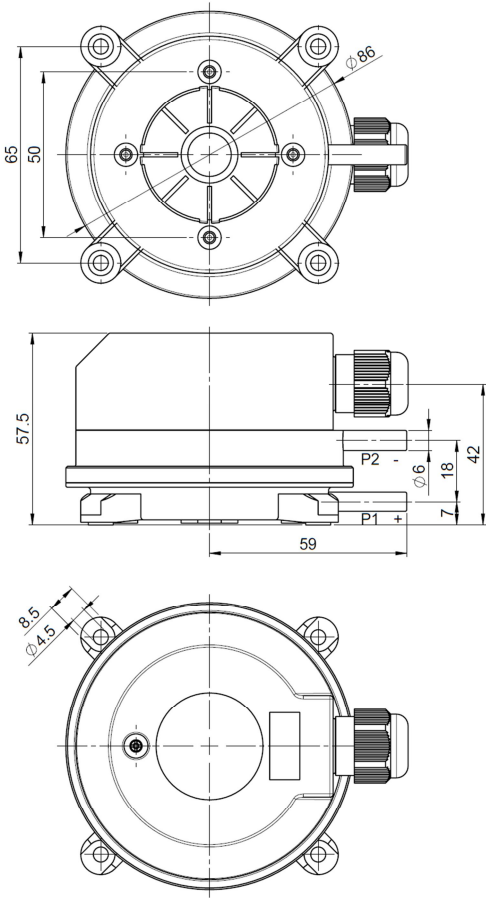
Metal mounting bracket S-shaped	Article No. 6402
Metal mounting bracket, L-shaped	Article No. 6401
Snap-on plastic bracket, S-shaped	Article No. 6482
Snap-on plastic bracket, L-shaped	Article No. 6481
Climaset® consisting of 2 m PVC hose and two plastic tubes	Article No. 6555
Climaset® consisting of 2 m silicone hose and two plastic tubes	Article No. 6557
Climaset® consisting of 2 m PVC hose and two angled metal pipes	Article No. 6550
Climaset® consisting of 2 m silicone hose and two angled metal pipes	Article No. 6556
Set consisting of three push-on screw terminals, bagged	Article No. 6415
Plastic tube for Climaset® 6555	Article No. 6551
Angled metal pipe for Climaset® 6550	Article No. 6552
Rubber grommet for Climaset® 6550	Article No. 6553
Roll with 100 m PVC hose	Article No. 6424
Roll with 100 m silicone hose	Article No. 6425
Cap nut conduit AF20 with integrated cable strain relief	Article No. 6562
M20x1.5 cable conduit including sealing and counter screw	Article No. 6568
Cardbox for single packing for 930.8x Climair® small	Article No. 6428
Cardbox for single packing for 930.8x Climair® large	Article No. 6429

# Differential pressure switches

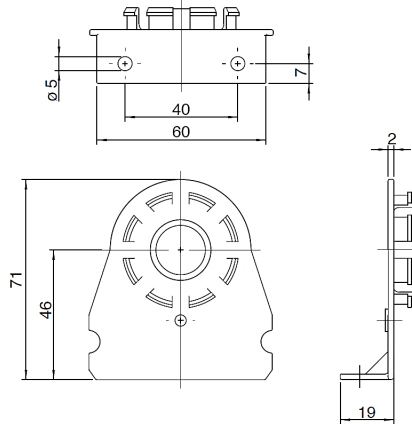
## 930.8x Climair®

with adjustable switching pressure

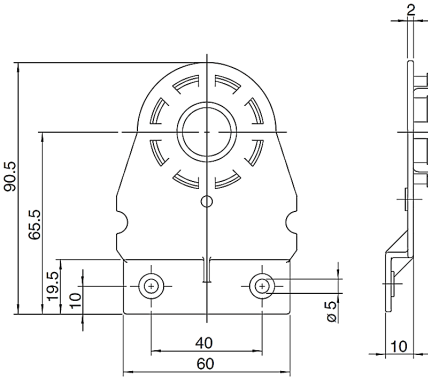
**930.8x Climair®**



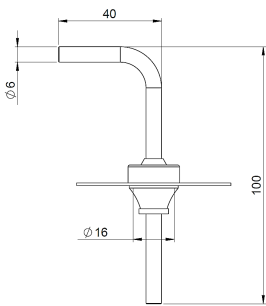
**Mounting bracket 6481**



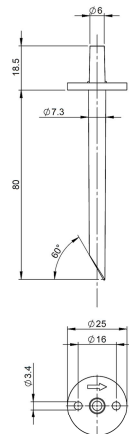
**Mounting bracket 6482**



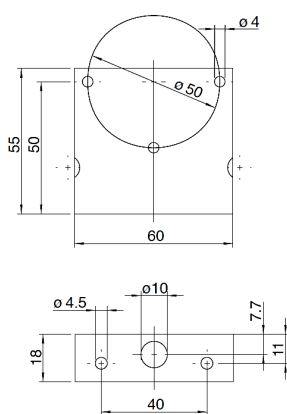
**Climaset®  
6550/6556**



**Climaset®  
6555/6557**



**Mounting bracket 6401**



**Mounting bracket 6402**

