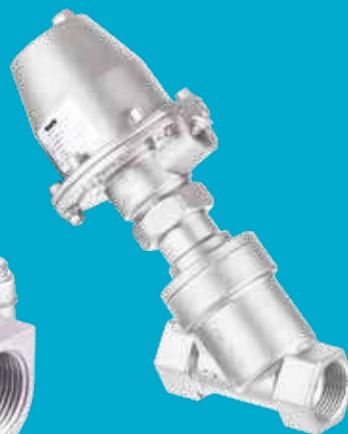




GENERAL PRODUCT CATALOGUE

- ▶ SOLENOID VALVES
- ▶ PULSE VALVES
- ▶ PNEUMATIC ACTUATORS
- ▶ ELECTRIC ACTUATORS
- ▶ GLOBE CONTROL VALVES
- ▶ PINCH VALVES
- ▶ PISTON VALVES
- ▶ MEASUREMENT CONTROL



WITH TORK FLUID UNDER CONTROL

SMS TORK has been producing industrial control equipment with a registered TORK trademark since 1985.

In addition to manufacturing, **it provides process automation system design, project planning, installation, implementation services.**

The company represents leading expert companies such as **Tecfluid, ATMI, Beck, Bellofram, Insert Deal, Senseca(Honsberg, Martens, Greisinger, Val.co, Delta OHM, Kirchner-Tochter, Belgas** in the measurement control fields.

fluid under control

39th YEAR

PRIVATE SOLUTION FOR ALL INDUSTRIES

Industrial Control Valves:

- ▲ Solenoid Valves
- ▲ Actuators
- ▲ Pulse Valves
- ▲ Pneumatic Piston Valves
- ▲ Pneumatic Actuated Ball Valves
- ▲ Pneumatic Actuated Butterfly Valves
- ▲ Electric Actuated Ball Valves
- ▲ Electric Actuated Butterfly Valves
- ▲ Plug Valves
- ▲ Linear Globe Process Valves
- ▲ Pinch Valves
- ▲ ATEX Certified Products
- ▲ SIL Certified Products
- ▲ API Certified Products
- ▲ CEA and EAC Certified Products
- ▲ Accessories

Measurement Control Group:

- ▲ Flow Switch
- ▲ Flow Meter
- ▲ Level Transmitter
- ▲ Pressure Transmitter
- ▲ PH Meters
- ▲ Load Cells
- ▲ Analysis Devices
- ▲ Temperature Transmitters
- ▲ Humidity Transmitter
- ▲ Convertors
- ▲ Pneumatic-Hydraulic Automatic Panels
- ▲ System Installation
- ▲ Mechanical Assembly Software

INDUSTRY SECTOR WE SERVE



CEMENT,
CONCRETE, LIME



IRON AND
STEEL



PETRO
CHEMICAL



NATURAL GAS
LPG



SOIL and
CERAMIC



TREATMENT



FILLING
SYSTEMS



GASOLINE and
LNG PUMPS



ENERGY



SMART HOME



PETROL and
GAS



CHEMICAL



GRINDER



AUTOMOTIVE



PACKING



POOL KEEPERS



DYEING
INDUSTRY



PHARMA HOSPITAL
and HEALTH



PLASTIC



ON VEHICLE
MATERIAL



COMPRESSOR



MACHINE
MANUFACTURER



HEATING AND
COOLING



FILTER and
DUST COLLECTION



SHIP BUILDING



PAPER -
PRINTING



COOLING
SYSTEMS



TEXTILE



SUGAR



NUTRITION



IRRIGATION
SYSTEMS



FOOD
INDUSTRY



SOLENOID VALVES

► S10 SERIES GENERAL PURPOSE SOLENOID VALVES (air, water, gas applications)

APPLICATIONS



GENERAL FEATURES

SERIES	S10 (Air, water, gas application)
CONNECTION SIZE	1/8" ... 3" - DN80 ... DN200
BODY MATERIAL	Brass (Core Tube, Plunger: Stainless Steel)
DIAPHRAGM MATERIAL	NBR (On request EPDM and VITON)
WORKING PRESSURE	0 ... 16 bar / 0.5 ... 16 bar / 0.5 ... 40 bar
WORKING TEMPERATURE	-10 °C ... 80 °C
CONNECTION	BSP (NPT on request), Flanged (DN80...DN200)
POSITION	Normally Closed (N.C.) / Normally Open (N.O.)
COIL VOLTAGE	220V, 110V, 24V, 12V, AC/DC
PROTECTION CLASS	IP 65, IP 68, Ex-proof Coil



SW1010 SERIES (THE SOLENOID VALVE IS PTFE COATED FOR THE AGGRESSIVE ENVIRONMENT WITH IP68 COIL WHICH CAN WORK UNDERWATER)

GENERAL FEATURES

SERIES	SW10 (Air, water, gas applications)
CONNECTION SIZE	1/8" ... 3" - DN80 ... DN200
BODY MATERIAL	PTFE coated brass (Core Tube, Plunger: PTFE coated stainless steel)
DIAPHRAGM MATERIAL	NBR (EPDM and VITON on request)
WORKING PRESSURE	0 ... 16 bar / 0.5 ... 16 bar / 0.5 ... 40 bar
WORKING TEMPERATURE	-10 °C ... 80 °C
CONNECTION	BSP (NPT on request), Flanged (DN80...DN200)
POSITION	Normally Closed (N.C.) / Normally Open (N.O.)
COIL VOLTAGE	220V, 110V, 24VAC-DC, 12VAC-DC
PROTECTION CLASS	IP 68



IP68 coil is workable up to 72 hours and up to 10 meters underwater.

► S20 SERIES STEAM SOLENOID VALVES

APPLICATIONS



GENERAL FEATURES

SERIES	S20 (Steam and hot water applications)
CONNECTION SIZE	1/8" ... 2"
BODY MATERIAL	Brass (Core tube, plunger: Stainless Steel)
DIAPHRAGM MATERIAL	VITON TEFLON PTFE EPDM
WORKING PRESSURE	0 ... 5 bar / 0.5 ... 5 bar (1 1/4"-2" 3 Bar)
WORKING TEMPERATURE	160 °C
CONNECTION	BSP (NPT on request)
POSITION	Normally Closed (N.C.) / Normally Open
COIL VOLTAGE	230V AC, 110V, 24V, 12V, AC/DC
PROTECTION CLASS	IP 65, IP 68, Ex-proof Coil

► S30 SERIES VACUUM SOLENOID VALVES

APPLICATIONS



GENERAL FEATURES

SERIES	S30 (Air, water, gas applications)
CONNECTION SIZE	1/8" ... 2"
BODY MATERIAL	Brass (Core tube, plunger: Stainless Steel)
DIAPHRAGM MATERIAL	NBR
WORKING PRESSURE	-1 ... 9 bar
WORKING TEMPERATURE	-10 °C _ 80 °C
CONNECTION	BSP (NPT on request)
POSITION	Normally Closed (N.C.)
COIL VOLTAGE	230V AC, 24V, 12V, AC/DC
PROTECTION CLASS	IP 65, IP 68, Ex-proof Coil



▶ S40 SERIES FUEL OIL SERIES

APPLICATIONS



FUEL-OIL



GENERAL FEATURES

SERIES	S40 (Fuel Oil, gas, boiler, diesel and hydraulic oil applications)
CONNECTION SIZE	1/8" ... 2"
BODY MATERIAL	Brass (Core tube, plunger: Stainless Steel)
DIAPHRAGM MATERIAL	VITON
WORKING PRESSURE	0-100bar / 0.5-16 bar / 0.5-40 bar
WORKING TEMPERATURE	-10°C ... 160°C
CONNECTION	BSP (NPT on request)
POSITION	Normally Closed (N.C.) / Normally Open (N.O.)
COIL VOLTAGE	230V AC, 110V, 24V, 12V AC/DC
PROTECTION CLASS	IP 65, IP 68, Ex-proof Exproof Coil

▶ S50 SERIES COMPRESSOR SOLENOID VALVES S81 DRAIN SOLENOID VALVES

APPLICATIONS



OILY AIR



COMPRESSOR



GENERAL FEATURES

SERIES	S50 (Compressed air applications) S81 (to drain the water automatically from the compressed tanks)
CONNECTION SIZE	1/8", 1"
BODY MATERIAL	Brass (Core tube, plunger: Stainless Steel)
DIAPHRAGM MATERIAL	VITON
WORKING PRESSURE	0 ... 100 bar / 0.5.....16 bar / 0.5.....40 bar
WORKING TEMPERATURE	-10°C ... 160°C
CONNECTION	BSP (NPT on request)
POSITION	Normally Closed (N.C.) / Normally Open (N.O.)
COIL VOLTAGE	230V AC, 110V, 24V, 12V AC/DC
PROTECTION CLASS	IP 65, IP 68, Ex-proof Coil



▶ SS10 SERIES STAINLESS STEEL SERIES

APPLICATIONS



GENERAL FEATURES

SERIES _____	SS10 (Corrosive fluids, water, oil, acid)
CONNECTION SIZE _____	1/8" ... 2"
BODY MATERIAL _____	AISI 316
WORKING PRESSURE _____	0 ... 100 bar
DIAPHRAGM MATERIAL _____	NBR (VITON, EPDM, PTFE on request)
CONNECTION _____	BSP (NPT on request)
POSITION _____	Normally Closed (N.C.) / Normally Open
COIL VOLTAGE _____	230V AC, 110V, 24V, 12V AC/DC
PROTECTION CLASS _____	IP 65, IP 68, Ex-proof Coil

▶ S61 AND S62 SERIES COOLING SOLENOID VALVES S96 SERIES CRYOGENIC SOLENOID VALVES

APPLICATIONS



GENERAL FEATURES

SERIES _____	S61 , S62 (Cooling Systems, cooling gases) S91 (LNG, H2, N2, CO2, O2, Food Industry, Health Industry etc).
CONNECTION SIZE _____	1/4", 3/8", 1/2", 5/8", 7/8" Welding and coupling connections
BODY MATERIAL _____	Brass (Core tube,plunger: Stainless Steel)
DIAPHRAGM MATERIAL _____	PTFE / RUBY
WORKING PRESSURE _____	0 ... 35 bar / 0,5 ... 21 bar
WORKING TEMPERATURE _____	-30 °C ... 105 °C (S61, S62) -196 ° C...(+30 °C S96)
POSITION _____	Normally Closed (N.C.)
COIL VOLTAGE _____	230V AC, 110V, 48V, 24V, 12V AC/DC
PROTECTION CLASS _____	IP 65, IP 68, Ex-proof Coil

► SX AND SF SERIES EX-PROOF SOLENOID VALVES

APPLICATIONS



GENERAL FEATURES

SERIES _____	SX (II 2 G Ex mb IIC T4 ZONE 1 ZONE 2) and SF (II 2 G Ex d II C T4 ZONE 1 ZONE 2)
CONNECTION SIZE _____	1/8" ... 2" BSP (NPT on request)
BODY MATERIAL _____	Brass (Core tube, plunger: Stainless Steel)
DIAPHRAGM MATERIAL _____	NBR (VITON, EPDM, on request)
WORKING TEMPERATURE _____	-10°C ... 80°C
WORKING PRESSURE _____	0 ... 100 bar / 0.5 ... 16 bar, 0.5 ... 12 bar
POSITION _____	Normally Closed (N.C.) / Normally Open (N.O.)
COIL VOLTAGE _____	230V AC, 110V, 48V, 24V, 12V AC DC
PROTECTION CLASS _____	Ex-proof coils

► S84 SERIES ISOLATION SOLENOID VALVES (Aggressive fluids)

APPLICATIONS



GENERAL FEATURES

SERIES _____	S84
CONNECTION SIZE _____	1/8", 1/4", 3/8", 1/2", 3/4", 1" 1/4", 1 1/2" 2"
BODY MATERIAL _____	PVC (Core tube, plunger: Stainless Steel)
DIAPHRAGM MATERIAL _____	VITON
WORKING PRESSURE _____	-1 ... 6 bar (Changes on size)
WORKING TEMPERATURE _____	-10°C ... 80°C
COIL VOLTAGE _____	230V AC, 110V, 48V, 24V, 12V AC/DC
PROTECTION CLASS _____	IP 65, IP 68, Ex-proof Coil

► S82 SERIES GROUP SOLENOID VALVES

APPLICATIONS



GENERAL FEATURES

SERIES	S82
CONNECTION SIZE	1/8" ... 1/4"
BODY MATERIAL	Brass (Core tube, plunger: Stainless Steel)
DIAPHRAGM MATERIAL	NBR (EPDM and VITON on request)
WORKING PRESSURE	0...16 bar / 0...12 bar (Changes on size)
WORKING TEMPERATURE	-10 °C ... 80 °C
CONNECTION	BSP
POSITION	Normally Closed (N.C.) / Normally Open (N.O.) / 3 or 2 way)
COIL VOLTAGE	230V AC, 110V, 24V, 12V AC/DC
PROTECTION CLASS	IP 65, IP 68, Ex-proof Coil



► S83 SERIES LATCHING AND SE SERIES ENERGY SAVING SOLENOID VALVES

APPLICATIONS



GENERAL FEATURES

SERIES	S83 and SE
CONNECTION SIZE	1/4" ... 2"
BODY MATERIAL	Brass (Core tube, plunger: Stainless Steel)
DIAPHRAGM MATERIAL	NBR (EPDM and VITON on request)
WORKING PRESSURE	0 ... 16 bar / 0.5 ... 16 bar / 0 ... 12 bar
WORKING TEMPERATURE	-10 °C ... 80 °C
POSITION	Normally Closed (N.C.)
COIL VOLTAGE	24V, 12V DC
PROTECTION CLASS	IP 65, IP 68, Ex-proof Coil



► SE SERIES LATCHING AND SE SERIES ENERGY SAVING SOLENOID VALVES

APPLICATIONS



GENERAL FEATURES

SERIES	S83 and SE
CONNECTION SIZE	1/4" ... 2"
BODY MATERIAL	Brass (Core tube, plunger: Stainless Steel)
DIAPHRAGM MATERIAL	NBR (EPDM and VITON on request)
WORKING PRESSURE	0 ... 16 bar / 0.5 ... 16 bar / 0 ... 12 bar
WORKING TEMPERATURE	-10 °C ... 80 °C
POSITION	Normally Open (N.O.)
COIL VOLTAGE	24V, 12V DC
PROTECTION CLASS	IP 65, IP 68, Ex-proof Coil



▶ S88 SERIES OXYGEN AND HYDROGEN SOLENOID VALVES

APPLICATIONS



OXYGEN HYDROGEN

GENERAL FEATURES

SERIES	S88
CONNECTION SIZE	1/8" ... 2" BSP (NPT on request)
BODY MATERIAL	Brass (Core tube, plunger: Stainless Steel)
DIAPHRAGM MATERIAL	EPDM (Purify from oil)
WORKING TEMPERATURE	-10...140 °C
WORKING PRESSURE	0 ... 16 bar / 0.5 ... 16 bar / 0.5 ... 12 bar
POSITION	Normally Closed (N.C.) / Normally Open (N.O.)
COIL VOLTAGE	230V AC, 110V, 48V, 24V, 12V AC/DC
PROTECTION CLASS	IP 65, IP 68, Ex-proof Coil



▶ S91 SERIES PISTON TYPE SOLENOID VALVE

APPLICATIONS



AIR WATER GAS HIGH PRESSURE

GENERAL FEATURES

SERIES	S91
CONNECTION SIZE	1/8" ... 1"
BODY MATERIAL	Brass (Core tube, plunger: Stainless Steel)
DIAPHRAGM MATERIAL	TEFLON + NBR, TEFLON + FKM
WORKING PRESSURE	2 ... 70 bar
POSITION	Normally Closed (N.C.) / Normally Open (N.O.)
COIL VOLTAGE	230V AC, 110V, 48V, 24V, 12V AC/DC
PROTECTION CLASS	IP 65, IP 68, Ex-proof Coil



► SPECIAL PRODUCTION SOLENOID VALVE



► HIGH TEMPERATURE SOLENOID VALVE

DN15-DN100 screwed and flanged connection solenoid valve can be supplied for the application up to 300°C.



► HIGH PRESSURE SOLENOID VALVE

1/4"-1/2" connection sizes can be supplied for the application up to 900 bar.



► SP70 SERIES PROPORTIONAL SOLENOID VALVE

Tork Proportional Card allows proportional operation for solenoid valves. Suitable all direct acting solenoid valve and pilot operated vacuum series solenoid valve.



► KVC SWITCH OUTPUT SOLENOID VALVE

Solenoid valves with contact output, with the proximity sensor located on the top of it provide on-off status of the valve.



► PINCH SOLENOID VALVE

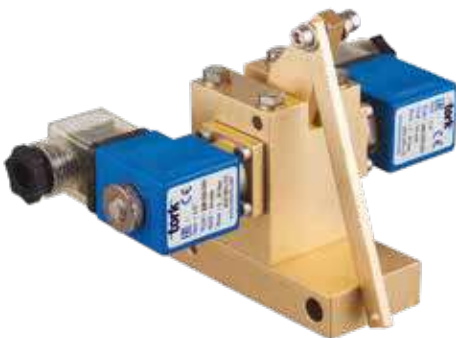
Pinch Solenoid valves are used in certain cases when the fluid, such as fruit juices, coffee machines etc. should be controlled without contacting valve surface. The fluid is controlled by compressing the tube passing through the valve.

▶ SPECIAL PRODUCTION SOLENOID VALVE**▶ MK1 SERIES MAGNETIC LOCK**

Magnetic locks used for automatic on-off application such as doors etc.

**▶ PNEUMATIC SOLENOID VALVE**

Solenoid valves are preferred when the air compressor system is more available instead of electrical power. Valves are controlled by on-off process generated by air supply.

**▶ VESSEL HORN SOLENOID VALVES**

The vessel horn solenoid valves are used to operate the whistle system of the ships.

**▶ S89 SERIES IRRIGATION SOLENOID VALVE**

Irrigation solenoid valves are mainly preferred for the agricultural applications. Valve body and diaphragm design enable that the flow loses minimum pressure. Body material can be PVC or metal.



PULSE VALVES

▶ PL1010 SERIES PULSE VALVES

APPLICATIONS



AIR



FILTER AND DUST
COLLECTOR

GENERAL FEATURES

SERIES	PL1010 (Bag filter and bunker)
CONNECTION SIZE	3/4" ... 3"
BODY MATERIAL	Aluminium injection
DIAPHRAGM MATERIAL	NBR, Viton, Thermoplastic (3/4" ... 1 1/2"); NBR, Viton (2" ... 3")
CONNECTION	BSP (NPT on request)
WORKING PRESSURE	0,5...8 Bar (3/4" ... 1 1/2"); 3...8 Bar (2" ... 3")
WORKING TEMPERATURE	-40°C...120°C (with Thermoplastic Diaphragm), -10°C...80 °C (with NBR Diaphragm), -10°C...160 °C (with Viton Diaphragm)
COIL VOLTAGE	230V AC, 110V, 24V, 12V AC/DC
POSITION	Normally Closed (N.C.)



▶ PL 1020 SERIES AIR OPERATED PULSE VALVES

APPLICATIONS



AIR



FILTER AND DUST
COLLECTOR

GENERAL FEATURES

SERIES	PL1020 (Bag filter and bunker)
CONNECTION SIZE	3/4" ... 3"
BODY MATERIAL	Aluminium injection
DIAPHRAGM MATERIAL	NBR, Viton, Thermoplastic (3/4" ... 1 1/2"); NBR, Viton (2" ... 3")
CONNECTION	BSP (NPT on request)
WORKING PRESSURE	0,5...8 Bar (3/4" ... 1 1/2"); 3...8 Bar (2" ... 3")
WORKING TEMPERATURE	-40°C...120°C (with Thermoplastic Diaphragm), -10°C...80 °C (with NBR Diaphragm), -10°C...160 °C (with Viton Diaphragm)
POSITION	Normally Closed (N.C.)



▶ PL 1030 SERİSİ SERIES PULSE VALVES

APPLICATIONS



GENERAL FEATURES

SERIES	PL1030 (Bag filter and bunker)
CONNECTION SIZE	3/4" ... 1 1/2"
BODY MATERIAL	Aluminium injection
DIAPHRAGM MATERIAL	NBR, Viton, Thermoplastic (3/4" ... 1 1/2") NBR, Viton (2" ... 3")
CONNECTION	Coupling
WORKING PRESSURE	0.5 ... 8 bar
WORKING TEMPERATURE	-40°C...120 °C (With Thermoplastic Diaphragm), -10°C...80 °C (with NBR Diaphragm), -10°C...160 °C (with Viton Diaphragm)
POSITION	Normally Closed (N.C.)
COIL VOLTAGE	230V AC, 110V, 24V, 12V AC/DC
PROTECTION CLASS	IP 65, IP68 and EXPROOF Coil



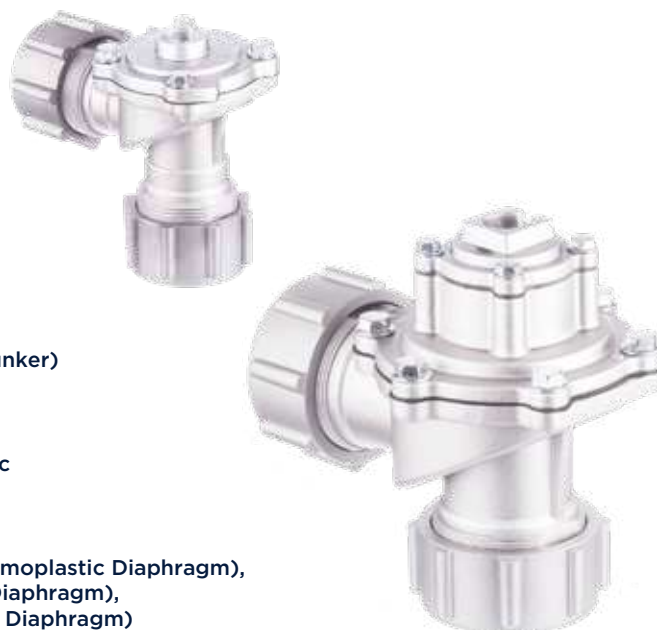
▶ PL 1050 SERIES AIR OPERATED PULSE VALVES

APPLICATIONS



GENERAL FEATURES

SERIES	PL1050 (Bag filter and bunker)
CONNECTION SIZE	3/4" ... 1 1/2"
BODY MATERIAL	Aluminium injection
DIAPHRAGM MATERIAL	NBR, Viton, Thermoplastic
CONNECTION	Coupling
WORKING PRESSURE	0.5 ... 8 bar
WORKING TEMPERATURE	-40°C...120 °C (With Thermoplastic Diaphragm), -10°C...80 °C (with NBR Diaphragm), -10°C...160 °C (with Viton Diaphragm)
POSITION	Normally Closed (N.C.)



▶ PX1010 SERIES EXPROOF PULSE VALVES

APPLICATIONS



AIR



FILTER AND DUST
COLLECTOR



ATEX

GENERAL FEATURES

SERIES	PX1010 (Bag filter and bunker)
CONNECTION SIZE	3/4" ... 3"
BODY MATERIAL	Aluminium injection
DIAPHRAGM MATERIAL	NBR, Viton, Thermoplastic (3/4"...1 1/2") NBR, Viton (2"...3")
CONNECTION	BSP (NPT on request)
WORKING PRESSURE	0.5 ... 8 bar
WORKING TEMPERATURE	-40°C...120 °C (With Thermoplastic Diaphragm), -10°C...80 °C (with NBR Diaphragm), -10°C...160 °C (with Viton Diaphragm)
COIL VOLTAGE	220V, 110V, 24V, 12V, AC/DC
POSITION	Normally Closed (N.C.)
PROTECTION CLASS	EX-PROOF coil* m and d protection class

*Exproof feature is only for coil.



▶ PX 1020 SERIES AIR OPERATED EXPROOF PULSE VALVES

APPLICATIONS



AIR



FILTER AND DUST
COLLECTOR

GENERAL FEATURES

SERIES	PX1020 (Bag filter and bunker)
CONNECTION SIZE	3/4" ... 3"
BODY MATERIAL	Aluminium injection
DIAPHRAGM MATERIAL	Thermoplastic (3/4"...1 1/2");
CONNECTION	BSP (NPT on request)
WORKING PRESSURE	0,5...8 Bar (3/4"...1 1/2"); 3...8 Bar (2"...3")
WORKING TEMPERATURE	-40°C...120 °C (With Thermoplastic Diaphragm),
POSITION	Normally Closed (N.C.)
PROTECTION CLASS	II 2G Ex h IIB T5 Gb, II 2D Ex h IIIB T 135°C Db



▶ PULSE TANK

APPLICATIONS



GENERAL FEATURES

Diaphragm valves are connected to the collector device.
Connection may be with 3, 4, 5, 6 or 7 groups.
Valve outputs are connected directly to a bunker with a pipe.



*Please indicate control solenoid valve amount and tube connection diameter to bunker in order.

▶ PULSE VALVES ACCESSORIES



MULTI TIME RELAY
220V AC
24V DC
8-32 Output

SINGLE TIME RELAY



PULSE VALVE DIAPHRAGMS



1 1/2" Bottom Diaphragm



1 1/2" Bottom Diaphragm



1 1/2" Top Diaphragm



3/4"-1" Diaphragm



3/4"-1" Diaphragm



► COILS

C40 STANDART COIL

PROTECTION CLASS _____ IP65
VOLTAGE _____ 230VAC, 110VAC, 24VAC, 12VAC
24VDC, 12VDC @18W

Production can be customized to different voltage and power specifications upon request.



C42 SERIES (WORKS UNDERWATER)

PROTECTION CLASS _____ IP68
VOLTAGE _____ 230VAC, 110VAC, 24VAC, 12VAC
24VDC, 12VDC @18W



C20 SERIES MINI COIL

PROTECTION CLASS _____ IP65
VOLTAGE _____ 230VAC, 110VAC, 24VAC, 12VAC
24VDC, 12VDC @4.8W



C50 SERIES (FOR VACUUM & “0” PRESSURE DIFFERENTIAL SERIES)

PROTECTION CLASS _____ IP65
VOLTAGE _____ 230VAC, 110VAC, 24VAC, 12VAC
24VDC, 12VDC @40W



C52 SERIES (FOR VACUUM & “0” PRESSURE DIFFERENTIAL SERIES)

PROTECTION CLASS _____ IP65
VOLTAGE _____ 230VAC, 110VAC, 24VAC, 12VAC
24VDC, 12VDC @40 W



▶ COILS

C41 EX-PROOF COIL

PROTECTION CLASS _____ II 2 G Ex mb IIC T4 IP67
VOLTAGE _____ 230VAC, 110VAC, 24VAC, 12VAC @ 15VA
 24VDC, 12VDC @ 18W



"m" class

C43 D CLASS FLAME-PROOF

PROTECTION CLASS _____ II 2 G Ex d II C T4 IP67
VOLTAGE _____ 230VAC, 110VAC, 24VAC, 12VAC
 24VDC, 12VDC @18W

Suitable for zone 1 and zone 2



"d" class

C46 ATEX TERMINED COIL

PROTECTION CLASS _____ Ex II 2G Ex mb IIC T5 Gb, IP 67
VOLTAJ _____ 12, 24, 48, 110, 230 VAC - 15VA, 50 /60 Hz
 230 VAC - 24VA, 50 /60 Hz



C47 ATEX PWM SOCKET COIL

PROTECTION CLASS _____ II 2G Ex mb IIC T4-T5 Gb, IP68
 II 2D Ex tb IIIC T(120-90) °C Db, IP68
VOLTAJ _____ 12-48 VDC @18W



C49 SERIES ATEX M CLASS THERMAL ZONE 1 ZONE 2 COIL

PROTECTION CLASS _____ Ex II 2G Ex mb IIC T5 Gb, IP67
VOLTAJ _____ 24VDC18W



► EX PROOF COILS and SOCKETS

C51 SERIES ATEX LARGE COIL

PROTECTION CLASS _____ II 2G Ex mb IIC T4 Gb
VOLTAJ _____ 230VAC, 110VAC, 24VAC, 12VAC @42 VA
 24VDC, 12VDC @40 W



C21 EX-PROOF COIL

PROTECTION CLASS _____ Exx M II T4 IP65
VOLTAJ _____ 230VAC, 110VAC, 24VAC, 12VAC @ 7.9 VA
 24VDC, 12VDC @ 4.8W



"m" class

SOCKETS

SERİ	EXPLANATION	PROTECTION CLASS
C80	Standard (Large) _____	IP65
C85	Standard (Small) _____	IP65
C81	With LED (Large) _____	IP65
C86	With LED (Small) _____	IP65
C82	PWM (Large) Energy Saving Socket _____	IP65
C83	Energy-saving socket with APWM adaptive control _____	IP65
C84	AC-DC Bridge diode socket _____	IP65



C80



C81



C85



C86



C82



NATURAL GAS GROUP

► S8011 - S8087 TORK GV SERIES NATURAL GAS MANUAL RESET SOLENOID VALVES

APPLICATIONS



SMART
HOUSES

GENERAL FEATURES

SERIES	S8011 - S8087
CONNECTION SIZE	3/8" ... 2"
BODY MATERIAL	Aluminium injection
DIAPHRAGM MATERIAL	NBR
CONNECTION	BSP (NPT on request)
WORKING PRESSURE	0 ... 0,5 bar
WORKING TEMPERATURE	-20 °C ... 80 °C
COIL VOLTAGE	230V AC, 110V, 24V, 12V AC/DC
POSITION	Normally Open (N.O.) Normally closed (N.C.)
PROTECTION CLASS	IP 65, IP68 and EXPROOF coil



► S8086 TORK GV SERIES NATURAL GAS MANUAL RESET SOLENOID VALVES

APPLICATIONS



SMART
HOUSES

GENERAL FEATURES

SERIES	S8086
CONNECTION SIZE	3/8" ... 1"
BODY MATERIAL	Aluminium injection
DIAPHRAGM MATERIAL	NBR
CONNECTION	BSP (NPT on request)
WORKING PRESSURE	0 ... 0,5 bar
WORKING TEMPERATURE	-20 °C ... 80 °C
COIL VOLTAGE	230V AC, 110V, 24V, 12V AC/DC
POSITION	Normally Closed (N.C.)
PROTECTION CLASS	IP 65, IP68 and EXPROOF coil



► S8079 TORK GV SERIES NATURAL GAS MANUAL RESET SOLENOID VALVES

APPLICATIONS



SMART
HOUSES

GENERAL FEATURES

SERIES	S8079
CONNECTION SIZE	DN65 ... DN100
BODY MATERIAL	Aluminium injection
DIAPHRAGM MATERIAL	NBR
CONNECTION	Flanged Connection
WORKING PRESSURE	0...0,5 bar
WORKING TEMPERATURE	-20 °C ... 80 °C
COIL VOLTAGE	230V AC, 110V, 24V, 12V AC/DC
POSITION	Normally Open (N.O.)
PROTECTION CLASS	IP 65



► GF10 FILTER

APPLICATIONS



SMART
HOUSES

GENERAL FEATURES

SERIES	GF10
CONNECTION SIZE	1/2" ... 2"
BODY MATERIAL	Aluminium injection
DIAPHRAGM MATERIAL	Synthetic fibers
CONNECTION	BSP (NPT on request)
WORKING PRESSURE	0 ... 4 bar
WORKING TEMPERATURE	-20 °C ... 80 °C



► S8010 LPG and NATURAL GAS VALVES

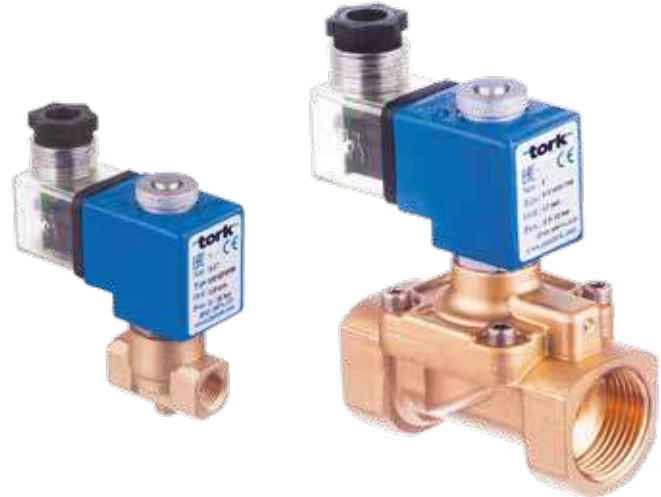
APPLICATIONS



SMART
HOUSES

GENERAL FEATURES

SERIES	S8010
CONNECTION SIZE	1/8" ... 1"
BODY MATERIAL	Brass
DIAPHRAGM MATERIAL	NBR
CONNECTION	BSP (NPT on request)
WORKING PRESSURE	0 ... 9 bar / 0,5 ... 12 bar
WORKING TEMPERATURE	-20 °C ... 80 °C
COIL VOLTAGE	230V AC, 110V, 24V, 12V AC/DC
POSITION	Normally Closed (N.C.)
PROTECTION CLASS	IP 65 IP68 EXPROOF



► GAS ALARM DEVICES

GENERAL FEATURES



SMART
HOUSES



* ATEX

GA20 Atex Class : IIG Ex mb IIB T6 Zone 1 Zone 2
GA21 Atex Class : IIG Ex d IIB T6 Zone 1 Zone 2



GA10-GA14



*GA21



*GA20



GAP30

▶ MECHANICAL EARTHQUAKE VALVE

APPLICATIONS



SMART
HOUSES

GENERAL FEATURES

SERIES	TORK FDV
CONNECTION SIZE	1" ... 2" / DN25 ... DN50
BODY MATERIAL	Aluminium
DIAPHRAGM MATERIAL	NBR
CONNECTION	BSP (NPT or Flanged on request)
WORKING PRESSURE	0 ... 0,5 bar
WORKING TEMPERATURE	60 °C



▶ MANOMETER

APPLICATIONS



SMART
HOUSES

GENERAL FEATURES

SERIES	TORK GA
CONNECTION SIZE	1/4"
BODY MATERIAL	Metal
CONNECTION	BSP Screwed
WORKING PRESSURE	0 ... 100 bar / 0 ... 600 bar



▶ TORK TITE PIPE SEAL UNITS

IT IS USED FOR SEALING OF INSTALLATIONS.





PNEUMATIC ACTUATORS

▶ DOUBLE ACTING-SINGLE ACTING PNEUMATIC ACTUATORS



RA Series



RX Series



RAM Series



GENERAL FEATURES

SERIES	RA...DA (double acting), RA..SR (spring return) / Standard Series RX..DA (double acting), RX..SR (single returning) / Atex protection class series RAM...DA (double acting), RAM...SR (spring return) 50 C°
SIZE	RA32DA...RA350DA (double acting) / RA40SR...RA350SR (spring return)
APPLICATION	For On-off and Proportional Control of Ball and Butterfly Valves
FEEDING PRESSURE	4 - 8 Bar
OUTPUT TORQUE VALUE	Double Acting series: 9 Nm ... 5162 Nm / Spring return 5 Nm.... 1950 Nm
BODY MATERIAL	Aluminium Extrusion Cover by Hardened Eloxal or Aluminium Cast Iron
SHAFT	Steel (Nickel Coated), (On Request Stainless Steel)
SEAL	Nitrile Rubber (On Request VITON)
WORKING TEMPERATURE	-20°C ... 80°C (-50°C +80°C /-20... +150)
BEDDING MATERIAL	Industrial hard plastic
CONTROL TYPE	On - Off or Proportional Control
ACTUATOR/VALVE CONNECTION	ISO 5211
STANDARD	
SOLENOID VALVE CONNECTION	NAMUR 3/2 (spring return) or 5/2 (double acting)
STANDARD	

▶ 3 POSITION PNEUMATIC ACTUATORS

GENERAL FEATURES

SERIES _____	RA...3P
SIZE _____	RA403P...RA1203P
APPLICATION _____	For On - Off Control of Ball and Butterfly Valves
FEEDING PRESSURE _____	4 - 8 Bar
OUTPUT TORK VALUE _____	18-330 Nm
BODY MATERIAL _____	Aluminium Extrusion Cover by Hardened Eloxal
SHAFT _____	Steel (Nickel Coated) (On Request Stainless Steel)
SEAL _____	Nitrile Rubber (On Request Viton)
WORKING TEMPERATURE _____	-20°C ... 80 °C (-50°C +80°C / (On Request) -20... +150)
BEDDING MATERIALS _____	Industrial Hard Plastic
CONTROL TYPE _____	On-off Control
ACTUATOR/VALVE CONNECTION STANDARD	ISO 5211
SOLENOID VALVE CONNECTION STANDARD	NAMUR



* 3 Position Pneumatic Actuators can be produced as 90°, 120°, 180°

▶ 120° and 180° PNEUMATIC ACTUATORS

GENERAL FEATURES

SERIES _____	RA...2D (120°) RA...8D (180°)
SIZE _____	RA402D/8D...RA1202D/8D
APPLICATION _____	For On-Off and Proportional Control of Ball, Butterfly, Direction Discs and Dampers
FEEDING PRESSURE _____	4 - 8 Bar
OUTPUT TORQUE VALUE _____	18-330 Nm
BODY MATERIAL _____	Aluminium Extrusion Cover by Hardened Eloxal or Aluminium Cast Iron
SHAFT _____	Steel (Nickel Coated), (On Request Stainless Steel)
SEAL _____	Nitrile Rubber (On Request VITON)
WORKING TEMPERATURE _____	-20°C ... 80 °C (On Request -50°C +80°C /-20... +150)
BEDDING MATERIALS _____	Industrial Hard Plastic
CONTROL TYPE _____	On-Off or Proportional Control
ACTUATOR/VALVE CONNECTION STANDARD	ISO 5211



► SCOTCH YOKE ACTUATORS



GENERAL FEATURES

SERIES	RSY...DA (double acting), RSY...SR (spring return) / Standard series
SIZE	RSY40DA...RSY200DA (Double Acting) / RSY40SR...RSY200SR (Spring Return)
APPLICATION	For On-Off and Proportional Control of Ball and Butterfly Valves
FEEDING PRESSURE	4 - 8 Bar
OUTPUT TORQUE VALUE	DA serisi: 11 Nm ... 4820 Nm / Tek etkili 4 Nm... 1260 Nm
BODY MATERIAL	Aluminium Extrusion Cover by Hardened Eloxal or Aluminium Cast Iron
SHAFT	Steel (Nickel Coated), (On Request Stainless Steel)
SEAL	Nitrile Rubber, (On Request VITON)
WORKING TEMPERATURE	-20°C ... 80°C
BEDDING MATERIALS	Industrial hard plastic
CONTROL TYPE	On - Off or Proportional Control
ACTUATOR/VALVE CONNECTION STANDARD	ISO 5211
SOLENOID VALVE CONNECTION STANDARD	NAMUR 3/2 (spring return) or 5/2 (double acting)

► PNEUMATIC ACTUATOR ACCESORIES

NAMUR SOLENOID VALVES



NM SERIES	1/4" - 5/2 Single or Double Coil Namur Type Solenoid Valve, 1/4" - 3/2 Single Coil Namur Type Solenoid Valve
COIL VOLTAGE	230V AC, 110 V, 24 V, 12V AC/DC, (IP 65 ve Ex-proof)

▶ PNEUMATIC ACTUATOR ACCESSORIES

LIMIT SWITCH BOX



LS20 Series



LS70 Series



LS10 Series

LS... SERIES _____	• LS10, LS20 (ATEX), LS30 (ATEX) LS80 (ATEX + NAMUR VALVE) Mechanic • Proximity
SENSOR _____	Mechanic Dry Contact, Proximity, ATEX Proximity
APPLICATION _____	Used on valves for Position Checking and Receiving Electric Signal in Rotary Type Pneumatic Actuators, (Double and Single Acting). (contact output or analogue output)
CONNECTION _____	NAMUR
PROTECTION CLASS _____	LS10 Series IP65 / LS20 Series IP67 (Ex d IIC T6, Exia IIC T6 Optional)



POSITIONERS

SERIES _____	Smart (SS2R), Electro Pneumatic (EPR), Pneumatic Pneumatic (PPR) Rotary and for linear actuators.
INPUT _____	4.20 mA or 0.21 1 bar (3.15 psi) (Optional 4.20 mA or mechanical output)
AIR PRESSURE _____	6 bar
APPLICATION _____	Used for Proportional Control Applications of Rotary and Linear Pneumatic Actuators

TORK-MOR SERIES CONTROL UNIT

TORQUE VALUE _____	100 Nm, 450 Nm, 750 Nm, 1500 Nm, 3500 Nm, 5000 Nm, 7500 Nm
APPLICATION _____	The unit is used for opening the valve with hand control on Rotary Type Pneumatic Actuated Ball and Butterfly valves.



CONDITIONER

APPLICATION _____	QL Valve Locks are suitable for usage of all kinds of quarter turn and full turn valves. You can take your process under secure that keeping locked both positions open and closed with single and double locks options.
-------------------	--



QL VALVE LOCKS

APPLICATION _____	QL Valve Locks are suitable for usage of all kinds of quarter turn and full turn valves. You can take your process under secure that keeping locked both positions open and closed with single and double locks options.
-------------------	--

► HYGIENIC BEVERAGE ACTUATORS AND ACCESSORIES

APPLICATIONS



NUTRITION



HYGIENIC ACTUATED VALVES

SERIES _____	PAV 814 Stainless Steel Actuated Hygienic Valve / HRA Stainless Steel Pneumatic Actuator
APPLICATIONS _____	Nutrition, Chemical Industry, Sanitary
CONNECTION SIZE _____	DN 25 - DN 150
WORKING PRESSURE _____	-1 :10 Bar
BODY MATERIAL _____	AISI 316L Stainless Steel Body, EPDM Seal (On Request; AISI 304, Viton, Silicon)

► PNEUMATIC ACTUATED BUTTERFLY VALVES



APPLICATIONS



CEMENT,
CONCRETE
and LIME



IRON - STEEL



PAINT
CHEMICAL
INDUSTRY



SUGAR



WATER
TREATMENT



ENERGY



AGGRESSIVE
MEDIAS



NUTRITION



SHIPPING
INDUSTRY



+140°C



+160°C



+180°C

GENERAL FEATURES

WORKING PRESSURE _____	PN10 PN16
FEEDING PRESSURE _____	4-8 BAR
CONTROL OPTIONS _____	ON-OFF / PROPORTIONAL (WITH POSITIONER)
WAY _____	2/2
CONNECTION TYPE _____	WAFER, LUG
SIZE _____	DN25...DN600
BODY _____	GG 25, GGG 40-50
SEAL _____	EPDM, NBR, NR, EPDM HT, SILICON, VITON, TEFLON
DISC _____	AISI304, TEFLON COATED AISI304
WORKING TEMPERATURE _____	-30°C + 180°C

▶ PNEUMATIC ACTUATED BRASS AND STAINLESS STEEL BODY BALL VALVES



APPLICATIONS



IRON - STEEL



PAINT
CHEMICAL
INDUSTRY



SUGAR



WATER
TREATMENT



ENERGY



AGGRESSIVE
MEDIAS



NUTRITION



SHIPPING
INDUSTRY



NOURISH-
MENT
VACUUM



CHEMICALS



+140°C



+160°C



+180°C

GENERAL FEATURES

WORKING PRESSURE	PN10 PN40 Brass / PN10 PN63 Stainless Steel
FEEDING PRESSURE	4-8 BAR
CONTROL OPTIONS	ON-OFF / PROPORTIONAL (WITH POSITIONER)
WAY	2/2 3/2
CONNECTION TYPE	BSP/NPT SCREWED, FLANGED CONNECTION
SIZE	1/2" ... 3" DN25...DN200
BODY	BRASS / STAINLESS STEEL 316
SEAL	TEFLON
WORKING TEMPERATURE	-30°C.... + 180°C

▶ PNEUMATIC ACTUATED PVC BODY VALVES

APPLICATIONS



WATER
TREATMENT



AGGRESSIVE
MEDIAS



CHEMICALS



GENERAL FEATURES

WORKING PRESSURE	PN6 PN13
FEEDING PRESSURE	4-8 BAR
CONTROL OPTIONS	ON - OFF / PROPORTIONAL (WITH POSITIONER)
WAY	2/2 3/2
CONNECTION TYPE	BSP SCREWED, PASTING CONNECTION
SIZE	1/2" ... 4" DN20...DN110
BODY	U PVC
SEAL	EPDM, VITON
WORKING TEMPERATURE	-10°C.... + 80°C

► PNEUMATIC ACTUATED MONOBLOCK BALL VALVES

APPLICATIONS



PETRO
CHEMICAL



NATURAL GAS,
LPG



PAINT
INDUSTRY



LPG FILLING
STATIONS



GENERAL FEATURES

WORKING PRESSURE	PN40
FEEDING PRESSURE	4-8 BAR
CONTROL OPTIONS	ON-OFF/ PROPORTIONAL (WITH POSITIONERS)
WAY	2/2 3/2
CONNECTION TYPE	FLANGED
SIZE	DN15...DN100
BODY	CARBON STEEL, AISI 316/304 STAINLESS STEEL
SEAL	PTFE
BALL	AISI 316
WORKING TEMPERATURE	-30°C...+180°C

► PNEUMATIC ACTUATED CARBON STEEL and SPHERO CAST IRON BALL VALVES

APPLICATIONS



PETRO
CHEMICAL



NATURAL GAS,
LPG



PAINT
INDUSTRY



LPG FILLING
STATIONS

GENERAL FEATURES

WORKING PRESSURE	PN16 PN40
FEEDING PRESSURE	4-8 BAR
CONTROL OPTIONS	ON-OFF / PROPORTIONAL (WITH POSITIONER)
WAY	2/2 3/2
CONNECTION TYPE	FLANGED
SIZE	DN15...DN200
BODY	CARBON STEEL, SPHERO CAST IRON
SEAL	PTFE
BALL	AISI 316
WORKING TEMPERATURE	-30°C....+180°C



▶ PNEUMATIC ACTUATED PLUG VALVES

APPLICATIONS



CEMENT,
CONCRETE and
LIME



SOIL AND
CERAMIC



WATER
TREATMENT



GENERAL FEATURES

WORKING PRESSURE	PN10
FEEDING PRESSURE	4-8 BAR
CONTROL OPTIONS	ON-OFF / PROPORTIONAL (WITH POSITIONER)
WAY	2/2 3/2
CONNECTION TYPE	BSP/NPT SCREWED, FLANGED CONNECTION
SIZE	1/2"... 4" DN15...DN100
BODY	PIG CAST IRON, SPHERO CAST IRON, STEEL CAST IRON, STAINLESS STEEL, BRONZE
SEAL	METAL TO METAL SEAL
WORKING TEMPERATURE	-30°C...+200°C

▶ ELECTRIC ACTUATORS



REA 150



REA 60



TREA 80



TREA 80



TREA40



TREAE60



TREA150

GENERAL FEATURES

SERIES	TREA
SIZE	TREA 40...REA3000 DA
APPLICATIONS	On-off and control of ball and butterfly valve
FEEDING VOLTAGE	230V AC, 380V AC, 24V AC/DC, 4-20mA Proportional control
OUTPUT TORQUE VALUE	40 Nm....3000 Nm (24V DC de maksimum 150 Nm)
BODY MATERIAL	Aluminium Injection
PROTECTION CLASS	IP 65 IP 67 (Against to moisture, heater inside of engine.)
OPEN-CLOSE TIME	12...112 sec (Changes up to models.)
ENGINE TYPE	Reversible engine can be rotated in opposite way on request.
LIMIT AND TORK SWITCH	There are 2 position switches on all product as standard. Against to overload, there is tork switch for protection.
LOCAL INDICATOR	Standard on all products.
CONTROL TYPE	On - Off or proportional control
ACTUATOR / VALVE CONNECTION STANDART	ISO 5211
AMBIENT TEMPERATURE	-20°C...+70°C



▶ MINI MOTORISED VALVES

APPLICATIONS



SMART
HOUSES



PURIFICATION



HEATING AND
COOLING



GENERAL FEATURES

WORKING PRESSURE	PN10
FEEDING VOLTAGE	220V AC, 24V AC, 24V DC, 12V DC
CONTROL OPTIONS	ON OFF / PROPORTIONAL
WAY	2/2 3/2
CONNECTION TYPE	BSP SCREWED
SIZE	1/2"....1"
BODY	AISI 304, BRASS
SEAL	PTFE
OPERATION TIME	5-7 sec
WORKING TEMPERATURE	-10°C....+80°C

▶ ELECTRIC ACTUATED BUTTERFLY VALVES



APPLICATIONS



CEMENT,
CONCRETE
and LIME



IRON - STEEL



PAINT
CHEMICAL
INDUSTRY



SUGAR



WATER
TREATMENT



ENERGY



AGGRESSIVE
MEDIAS



NUTRITION



SHIPPING
INDUSTRY

GENERAL FEATURES

WORKING PRESSURE	PN10 PN16
FEEDING VOLTAGE	230V AC, 380V AC, 24V AC/DC, 4-20mA Proportional Control
CONTROL OPTIONS	ON OFF / PROPORTIONAL
WAY	2/2
CONNECTION TYPE	WAFER, LUG
SIZE	DN25...DN600
BODY	GG 25, GGG 40-50
SEAL	EPDM, NBR, NR, EPDM HT, SILICON, VITON, TEFLON
DISC	AISI304, TEFLON COATED AISI304
WORKING TEMPERATURE	-30°C....+180°C

▶ ELECTRIC ACTUATED BRASS and STAINLESS STEEL BODY BALL VALVES



APPLICATIONS



GENERAL FEATURES

WORKING PRESSURE	PN10 PN40 Brass / PN10 PN63 Stainless Steel
FEEDING PRESSURE	230V AC, 380V AC, 24V AC/DC, 4-20mA Proportional Control
CONTROL OPTIONS	ON OFF / PROPORTIONAL
WAY	2/2 3/2
CONNECTION TYPE	BSP/NPT SCREWED, FLANGED CONNECTION
SIZE	1/2"... 3" DN25...DN200
BODY	BRASS/STAINLESS STEEL 316
SEAL	TEFLON
WORKING TEMPERATURE	-30°C...+180°C

▶ ELECTRIC ACTUATED MONOBLOCK BALL VALVES

APPLICATIONS



GENERAL FEATURES

WORKING PRESSURE	PN40
FEEDING VOLTAGE	230V AC, 380V AC, 24V AC/DC, 4-20mA Proportional Control
CONTROL OPTIONS	ON OFF / PROPORTIONAL
WAY	2/2 3/2
CONNECTION TYPE	FLANGED
SIZE	DN15...DN100
BODY	CARBON STEEL, AISI 316/304 STAINLESS STEEL
SEAL	PTFE
BALL	AISI 316
WORKING TEMPERATURE	-30°C...+180°C

► PNEUMATIC ACTUATED CARBON STEEL and SPHERO CAST IRON STEEL BALL VALVES

APPLICATIONS



GENERAL FEATURES

WORKING PRESSURE	PN16 PN40
FEEDING VOLTAGE	230V AC, 380V AC, 24V AC/DC, 4-20mA Proportional Control
CONTROL OPTIONS	ON OFF / PROPORTIONAL
WAY	2/2 3/2
CONNECTION TYPE	FLANGED
SIZE	DN15...DN200
BODY	CARBON STEEL, SPHERO CAST IRON
SEAL	PTFE
BALL	AISI 316
WORKING TEMPERATURE	-30°C...+180°C

► GLOBE CONTROL VALVES

APPLICATIONS



GENERAL FEATURES

WORKING PRESSURE	PN25 (Sphero Cast Iron) PN40 (Carbon Steel and Stainless Steel)
FEEDING PRESSURE	4-8 Bar
CONTROL OPTIONS	ON OFF / PROPORTIONAL (with positioner)
WAY	2/2 3/2
CONNECTION TYPE	FLANGED
SIZE	DN15...DN150
BODY	STAINLESS STEEL, CARBON STEEL, SPHERO CAST IRON
SEAL	PTFE-METAL TO METAL
WORKING TEMPERATURE	-30°C...+180°C



▶ PINCH VALVES

APPLICATIONS



CEMENT,
CONCRETE
and LIME



NUTRITION



GENERAL FEATURES

WORKING PRESSURE	_____	2-6 Bar
FEEDING PRESSURE	_____	MINIMUM 2 Bar
CONTROL OPTIONS	_____	ON OFF / PROPORTIONAL (with I/P converter)
WAY	_____	2/2
CONNECTION TYPE	_____	BSP SCREWED / FLANGED
SIZE	_____	1/2" ... 2" DN40...DN500
BODY	_____	ALUMINIUM CAST IRON, STAINLESS STEEL, IRON
SEAL	_____	NR (Corrosion proof natural rubber), EPDM (Available for nutrient), NBR, VITON, SILICON
WORKING TEMPERATURE	_____	-10°C...+80°C





► PNEUMATIC PISTON VALVES

APPLICATIONS



AIR



WATER



GAS



STEAM



-50°C
WORKABLE



PP1030



PP1090



PP1035

GENERAL FEATURES

- SERIES** _____ TORK PP
- CONNECTION SIZE** _____ 1/2" ... 2" BSP, DN15...DN50, flanged, 1/2" ... 2" welding connection (On request NPT)
- POSITION** _____ Normally Close (NC), Normally Open (NO)
- WAY** _____ 2/2 3/2
- WORKING TEMPERATURE** _____ -50...+180°C (Changes up to product series)
- WORKING PRESSURE** _____ -1...40 BAR (Changes up to product series)
- BODY** _____ Stainless steel AISI 316 (The head is plastic on PP1090 and PP1030 series)
- SEAL MATERIAL** _____ Standard PTFE
- CONTROL AIR PRESSURE** _____ 6 bar
- AIR FEEDING CONNECTION** _____ 1/4" BSP screwed



**DAMPERS FOR
PROPORTIONAL and
ON -OFF CONTROL
with ELECTRIC**



PP1020



PP1016

▶ HIGH PERFORMANCE PNEUMATIC PISTON VALVES

APPLICATIONS



PP1020

PP1060

PP1040

PP1016

GENERAL FEATURES

SERIES	TORK PP
CONNECTION SIZE	1/2" ... 2" BSP PP1020-PP1021, DN15...DN50 PP1060-PP1061 1/2" ... 2" welding connection PP1040-PP1041
POSITION	Normally Close (NC), Normally Open (NO)
WAY	2/2 3/2
WORKING TEMPERATURE	-50 °C_ +180 °C (Changes up to product series)
WORKING PRESSURE	-1...16 PP1020-PP1021/PP1040-PP1041/PP1060-PP1061* -1...40 BAR PP1070*
BODY	Stainless steel AISI 316 (The head is plastic on PP1090 and PP1030 series)
SEAL MATERIAL	Standard PTFE
CONTROL AIR PRESSURE	6 bar
AIR FEEDING CONNECTION	1/4" BSP Screwed

*(Maximum pressure values can be changed according to connection size.)

▶ ECONOMIC PNEUMATIC PISTON VALVES

APPLICATIONS



PP1030

PP1090

PP1050

GENERAL FEATURES

SERIES	TORK PP
CONNECTION SIZE	3/8" ... 1/2" BSP PP1030-PP1031, 1/2"...2" PP1090 PP1091/PP1050-PP1051
POSITION	Normally Close (NC), Normally Open (NO)
WAY	2/2
WORKING TEMPERATURE	-10...+110 °C
WORKING PRESSURE	-1...16 PP1030-PP1031/PP1090-PP1091/PP1050-PP1051
BODY	Stainless steel AISI 316 (The head is plastic on PP1090 and PP1030 series)
SEAL MATERIAL	Standard PTFE
CONTROL AIR PRESSURE	6 bar
AIR FEEDING CONNECTION	1/4" BSP screwed

► PNEUMATIC PISTON VALVE ACCESSORIES



PPL SERIES LINEER POSITIONERS WHICH IS USED FOR PROPORTIONAL CONTROL WITH 4-20 mA. THE PISTON VALVES SEAL THAT IS USING FOR PROPORTIONAL CONTROL MUST BE PRODUCED AS SPECIAL.



S1015 3/2 WAY SOLENOID VALVES FOR ON - OFF CONTROL



DRY CONTACT and PROXIMITY SENSOR OUTPUT LIMIT SWITCH BOX



MULTI-TURN ELECTRIC ACTUATORS

APPLICATIONS



GENERAL FEATURES

SERIES _____ TMEA

APPLICATION _____ Used for the automation process which has big shaft diameters like penstock and channel, also gate and ball valves.

TORK ROTATING MOMENT _____ 60 - 120 Nm Gear box tork value 43.000 or max. 250.000 Nm

PROTECTION CLASS _____ IP67 Water proof optionally IP68 (10m/72 hours)

- Standard LCD screen and manual override unit. Optionally infrared remote control, MODBUS, PROFIBUS communication, PCU specifications with 0 - 10V DC , 4-20 mA input/output proportional control.
- Standard LCD screen and manual control unit. Optionally, Bluetooth control via mobile application, PROFINET, PROFIBUS communication. 0-10V DC, 4-20mA input/output proportional control with analog control signals.



MEASUREMENT CONTROL GROUP

▶ PLASTIC AND GLASS VARIABLE AREA FLOWMETER

APPLICATION



GENERAL FEATURES

BODY	Trogamid or Polysulfone, Glass Tube
FLOW RANGE	0,1 l/h ... 60 m³/h
DISPLAY	Instant flow can be seen
CONTACT OR OUTPUT	Contact or 4-20mA output
LIQUID	Water, Air, Alcalies, Gas

▶ METAL VARIABLE AREA FLOWMETER

APPLICATION



GENERAL FEATURES

BODY	Stainless steel, AISI 316
FLOW RANGE	0.1 l/h ... 1000 m³/h
CONNECTION SIZE	DN 15 ... DN150 (1/4", 1/2", 3/4")
OUTPUT	Instant flow, analogue output 4-20 mA, contact switch, totalizer
LIQUID	Water, Air, Gas

▶ ELECTROMAGNETIC AND ULTRASONIC FLOWMETER

APPLICATIONS



GENERAL FEATURES

BODY _____	PP, PTFE, PVDF, Hard Rubber Coated
FLOW RANGE _____	5-200 l/h ... 150-7000 m ³ /h
CONNECTION SIZE _____	DN15 ... DN500 Wafer, Flange, Threaded, Clamp and Insert Type
OUTPUT _____	Instant and Total Flow, 4-20mA or Pulse output
LIQUID _____	Conductive Liquid (Independence of Viscosity and density)

▶ GEAR WHEEL, SCREW AND TURBINE FLOWMETER

APPLICATIONS



GENERAL FEATURES

BODY _____	Brass, Stainless Steel, PPS, PVDF, Acrylic
FLOW RANGE _____	0.02 l/min....150 l/min.
DIGITAL DISPLAY _____	Instant Flow and Optional + Digital Flow 4-20 mA Output
LIQUID _____	Water, Air, Oil Alkalis, High Viscosity Liquids, High pressure (PN 300 max.)



▶ FLOW SWITCH (PEDAL AND PISTON TYPE)

APPLICATIONS



GENERAL FEATURES

BODY _____	Brass, Stainless steel, Plastic
CONNECTION SIZE _____	(1/8" ... 1") or DN15 ... DN200 size
TEMPERATURE _____	Max. 125 °C, 350 °C (optional)
CONTACT _____	Reed contact, SPDT or display type, exproof type
MOUNTING POSITION _____	Different mounting position is available
LIQUID _____	Air, Water, Oil, Acid etc.

▶ LEVEL SWITCH

APPLICATIONS



GENERAL FEATURES

BODY _____	Brass, PP, Stainless Steel
CONTACT _____	Normally Open (N.O.) / Normally Closed (N.C.)
CONNECTION SIZE _____	1/2", 3/4", 1"
TEMPERATURE _____	-25 ... 105 °C, 180 °C, 300 °C
APPLICATION _____	Liquid, Safe and Exproof Area

Exproof models available.

▶ MOTORISED AND FORK LEVEL SWITCH

APPLICATIONS



GENERAL FEATURES

BODY _____	Plastic, Aluminium, Stainless Steel
CONTACT _____	Normally Open (N.O.) / Normally Closed (N.C.)
CONNECTION SIZE _____	1/2", 3/4", 1"
TEMPERATURE _____	-20 ... 80 °C, 115 °C
APPLICATION _____	Solid material (Cement, Ceramic, Wheat, Rice) - Liquid (LD60, LD61 Types)

▶ LEVEL TRANSMITTER

APPLICATIONS



GENERAL FEATURES

TYPE	PVC, Stainless Steel, PTFE
MEASURING RANGE	1.5 ... 6 m
ACCURACY	% 3
TEMPERATURE	0 ... 60 °C
OUTPUT	CONTACT, 4-20mA output, instant level gauge
POWER SUPPLY	24 V DC / 220 V AC
APPLICATION	Liquid, solid, chemical component

Exproof models and Hygienic series models are available.

▶ PRESSURE GAUGE

APPLICATIONS



GENERAL FEATURES

TYPE	Bourden tube, plastic body, stainless steel, panel type
MEASURING RANGE	0 ... 60 mbar, 1 bar ... 10.000 bar
GAUGE DIAMETER	Ø 63, Ø160 mm bottom connection and back connection
CONTACT	Single contact, Double contact
ACCURACY	% 1, % 1.6
APPLICATION	Air, water, medical devices, petrochemical, treatment, burner, vacuum, exhaust gas, vacuum, hydraulic systems, food and beverage, various liquids, steam.



▶ DIAPHRAGM PRESSURE GAUGES TEST PRESSURE GAUGES

APPLICATIONS



GAS



GENERAL FEATURES

BODY _____	Stainless Steel
CONTACT _____	Single contact, Double contact
DIAPHRAGM _____	Teflon, Stainless Steel, several applications
MEASURING RANGE _____	0 ... 25 mbar ... 400 bar, 1600 bar
DISPLAY DIAMETER _____	Ø100, Ø160mm
ACCURACY _____	%1.6, %2.5
APPLICATIONS _____	Biochemical, petrochemical, filling machines, food and beverage, water applications etc.

▶ **PRESSURE SWITCHES
SMART TYPE TRANSMITTERS
DIFFERENTIAL PRESSURE SWITCHES / TRANSMITTERS**

APPLICATIONS



GENERAL FEATURES

PRESSURE TRANSMITTER

OUTPUT _____ 4-20 mA (on option mV)

MEASURING RANGE _____ Vacuum, 0...8000 bar

Exproof models and hygienic models exist.



DIFFERENTIAL PRESSURE SWITCH

BODY _____ Brass, Steel, Stainless Steel

MEASURING RANGE _____ -1 ... 10 bar / 50 ... 400 mbar, 0-200mbar etc.

APPLICATIONS _____ Treatment, filter, filling machines, food and beverage, etc.

▶ **PRESSURE / VACUUM SWITCHES - PRESSURESTATS**



GENERAL FEATURES

MEASURING RANGE _____ -50mbar ... 0 bar, 5 ... 200 mbar 200 ... 1000 mbar, 0 ... 4, 110, 15 bar

OUTPUT _____ Single pole single direction / Single pole double direction

ADJUSTMENT _____ Factory set and adjustable

APPLICATIONS _____ Treatment, filter, filling machines, food and beverage, etc.



► THERMOCOUPLES AND DIGITAL INDICATING CONTROLLERS



GENERAL FEATURES

Thermocouple and PT100 sensors are used for temperature detection which are selectable according to process.

There are different types of thermocouples which Fe-const, NiCr-Ni, Pt-RdPt.

Controllers : It provides instantaneous indication, switching output, SPDT switch, analogue output (4-20 mA).

Smart Transmitter : Used for temperature, level, pressure measuring.

► BI-METAL THERMOMETERS AND HUMIDITY CONTROL HYGROSTATS



GENERAL FEATURES

OUTPUT _____ Bottom and back connection

MEASURING RANGE _____ -200°C ... +700°C Selectable according to process. It indicates instantaneous temperature.

HUMIDITY CONTROL _____ For indoor humidity and duct type humidity. Provide switching output.

DEVICE TMAX _____ Max. 100°C

MEASURING RANGE _____ %95 humidity

▶ ELECTRO-PNEUMATIC I/P CONVERTER - E/P CONVERTER

APPLICATIONS



LIQUID



GAS

GENERAL FEATURES

TYPE	Bellofram TORK-1000
ACCURACY	% 0.1
POWER SUPPLY	24V DC, AC
INPUT SIGNAL	4-20 mA, 0.5V, 0-10V, 0-15V
OUTPUT PRESSURE	1 - 120 psi
SUPPLY PRESSURE	Max. 7 bar



▶ PRECISION AIR AND GAS REGULATOR

APPLICATIONS



GAS

GENERAL FEATURES

TYPE	GR90/GR91/GR92 Series
ACCURACY	% 0.5
CONNECTION SIZE	1/8", 1/4", 1/2" BSP, NPT
FLOW RANGE	400 - 1150 l/min.
PRESSURE	27 bar / 280 bar
ADJUSTABLE PRESSURE	0 - 8.5 bar
APPLICATIONS	For air pressure adjustment For LPG and natural gas



▶ AIR FILTER + REGULATOR (FOR PNEUMATIC SYSTEMS) FR

APPLICATIONS



GAS

GENERAL FEATURES

FILTER CAPACITY	5 mm
BODY	Aluminum
CONNECTION SIZE	1/4"
TEMPERATURE	70°C
PRESSURE GAUGE CONNECTION SIZE	1/8"
OUTPUT PRESSURE	0 ... 8 bar
INPUT PRESSURE	15 bar







tork

valve & automation