

TMS SERIES FLOAT SWITCHES SIDE MOUNT LEVEL SWITCH

GENERAL FEATURES

With a robust mechanical hinged float, the TMS series are ideal for use in applications requiring reliable monitoring under strong flows. Available with two different mounting options. It is ideal for use in a range of applications and industries, such as the detection of liquid levels in water treatment vessels, mechanical engineering and plant construction. The switching function can be reversed by rotating the float switch, making this a highly flexible and cost-effective solution. With its reed sensor-based level measurement and mechanical hinge, it provides durable use even in strong flows.

Technical Features

- Body material** : PP, PA12 or HDPE
- Mounting** : 1/2" BSP or 1/2" NPT
- Connection** : 3 m (As standard) PVC cable outlet
- Contact form** : Normally open (N.O.)
or normally closed (N.C.)
- Temperature range** : -25 °C to + 105 °C
- Switching voltage** : Max. 200 VDC/ 250 VAC
- Switching type** : Form-A Reed Switch
- Switching current** : 1.5 A
- Carry current** : 2 A
- Protection class** : IP68
- Usage Areas** : Water, non-aggressive liquids, certain acids and bases (PP body)
Water, oil, and non-aggressive liquids (PA12 body)
Water and aggressive liquids (acids and bases), alkalis (HDPE)
- Contact** : If the floater is hanging down while connecting to the tank, N.O. position



TMS1A0B3MB

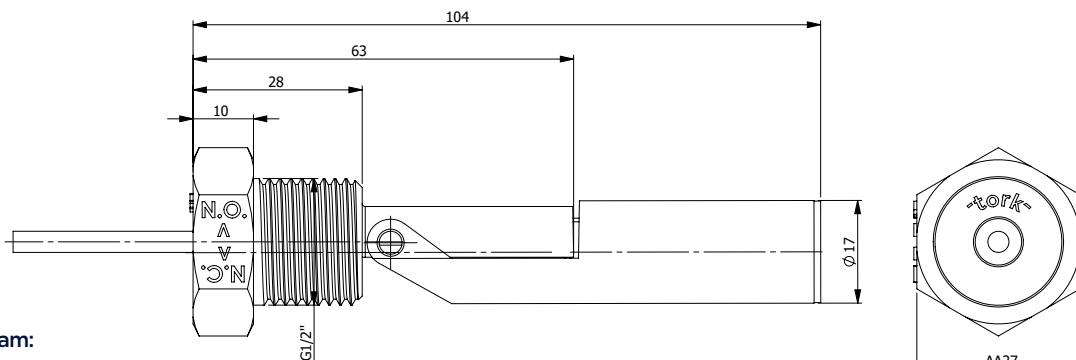


TMS5A0B3MB

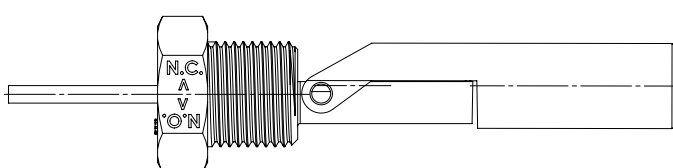
Product codes:

Model No	Body Material	Connection Size	Cable Length	Cable Material
TMS1A0B3MB	PP	1/2" BSP	3m	PVC
TMS2A0B3MB	PA12	1/2" BSP	3m	PVC
TMS1A0N3MB	PP	1/2" NPT	3m	PVC
TMS2A0N3MB	PA12	1/2" NPT	3m	PVC
TMS5A0B3MB	HDPE	1/2" BSP	3m	PVC

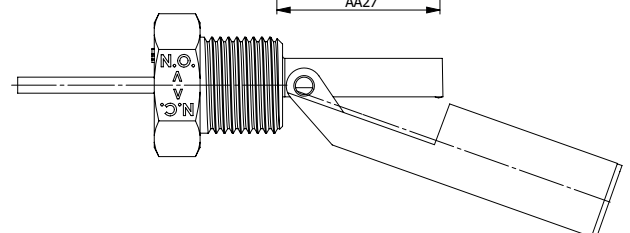
Dimensions:



Connection Diagram:



BROWN CABLE — WHITE CABLE
NORMALLY CLOSED



BROWN CABLE — WHITE CABLE
NORMALLY OPEN