

Electric Actuators

TREAE60 Elektrik Actuator Standard Features

General Features

- Specifically designed for ball valve, butterfly valve and dampers control.
- Long lasting and economic structure
- Easy installation (ISO5211 standard)
- Manuel control with handwheel
- 2 piece output limit switches
- Valve position indicator

Optional Features

- TREAE60 için 100-240 V AC or 24 V DC/AC option

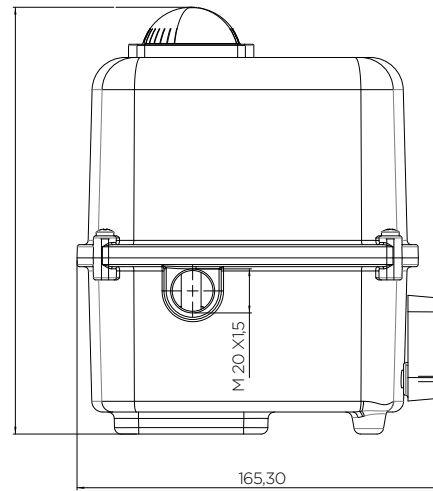
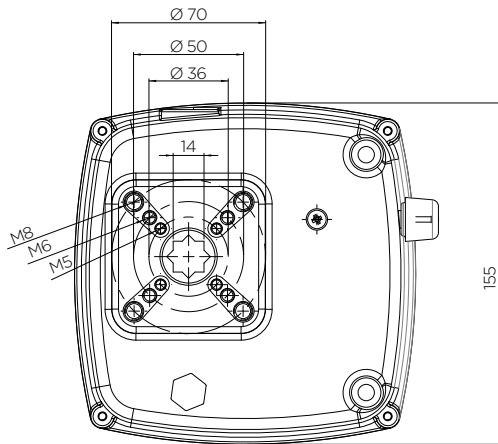
On-Off Electric Actuator

Body	: Plastic injection
Torque Output Value	: 60 Nm
Body Enclosure	: IP65
Handle Control Unit	: It is near the actuator body and make opening / closing
Supply Voltage	: 100-240 V AC or 24 V DC/AC
Power	: 20 Watt, 0.85 A @24 VDC : 20.7 Watt, 90 mA @230 VAC
Open Close Time	: 14 sn
Motor	: DC brushed motor
Limit Switches	: 2x Open/Close SPDT, Max 250VAC 3A
Auxiliary Limit Switches	: 2x Open/Close SPDT, Max 250VAC 3A
Environment Temperature	: -20 °C ... 60 °C
Cable Connection Entrance	: M20x1.5 coupling
Valve Connection Flange	: F03/F05/F07 (ISO5211)



Electric Actuators

Sizes



Product and Pieces Pictures

