

# E Digital Pressure Gauge

TPG2014

## Features

- 4 digits LCD showing pressure accurately in real time, easy for observation
- Various pressure units, zero clearing, backlight, on/off functions
- Battery powered, low-power design keeping working for 12 months
- All stainless steel shell, small size, low cost

## Application

- Machinery and electronics
- Supporting equipment of instruments
- Pressure laboratory
- Mechanical engineering automation

### Notes:

- 1 Do not touch the diaphragm with hard objects, which may cause damage to the diaphragm.
- 2 Please read the Instruction Manual of the product carefully before installation and check the relevant information of the product.
- 3 Strictly follow the wiring method for wiring, otherwise it may cause product damage or other potential faults.
- 4 Misuse of the product may cause danger or personal injury.



## Overview

TPG2014-E is a high precision intelligent digital pressure gauge.

It has a high-precision sensor and displays pressure accurately in real time. It has advantages of high precision and good long term stability.

TPG2014-E is equipped with a large size LCD, featuring with functions of zero clearing, backlight, on/off button, units switching and low pressure alarm. It is convenient to install and easy to operate.

The housing and connector of TPG2014-E are made of stainless steel 304 with excellent vibration resistance. It can be used to measure gas, liquid, oil and other non-corrosive medium of stainless steel.

TPG2014-E is applicable to portable pressure measurement and equipment supporting and calibration fields.

### Notes:

- 1 Do not misuse documentation.
- 2 The information presented in this product sheet is for reference only. Do not use this document as a product installation guide.
- 3 Complete installation, operation, and maintenance information is provided in the instructions of the product.
- 4 Misuse of the product may cause danger or personal injury.

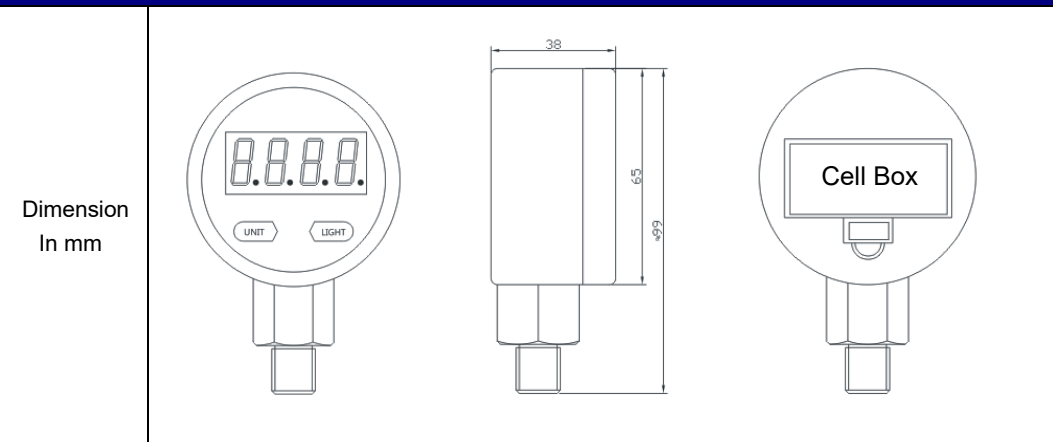
# E Digital Pressure Gauge

## TPG2014

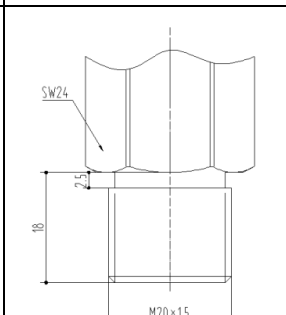
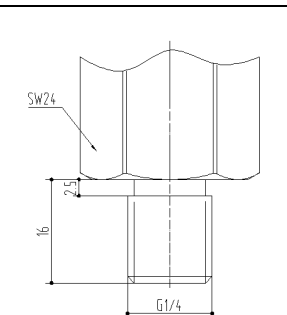
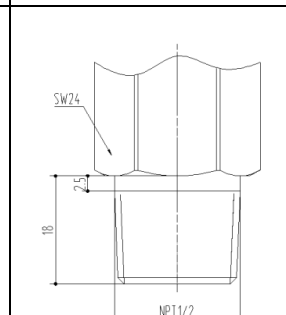
### Performance parameters

Pressure range	0~160kPa...25MPa
Pressure reference	Gauge pressure, Sealed gauge pressure
Accuracy	1%FS
Backlight color	White
Operating temp.	-10~70°C
Compensated temp.	0~60°C
Electric protection	Anti electromagnetic interference design
Sampling frequency	2/sec
Overpressure	150%FS
Long term stability	±0.5%FS/year (typical)
Battery	2 Triple A batteries
Material	Stainless steel for shell, 316L for isolation diaphragm
Medium compatibility	All media compatible with stainless steel 316

### Structure & dimensions



### Pressure port

Type	C1: M20×1.5	C3: G1/4	C7: NPT1/2
Dimension In mm			

Note: Common threads are M20×1.5, G1/4, G1/2, M14×1.5, NPT1/4 and NPT1/2. Special threads can be customized for batch order.

# E Digital Pressure Gauge

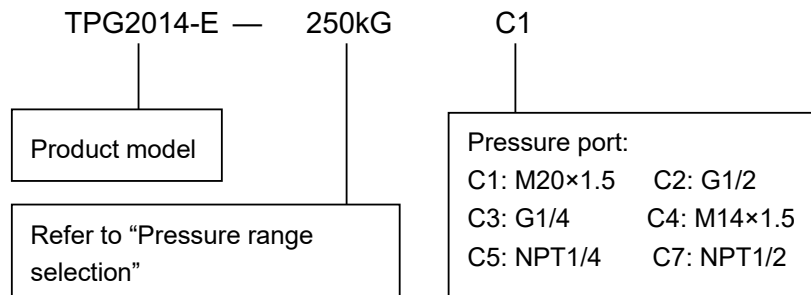
## TPG2014

### Pressure range selection

Pressure range code	Pressure reference	Pressure range	Overpressure	Burst pressure	Remark
160kG	G	160kPa	100%FS	200%FS	
250kG	G	250kPa	100%FS	200%FS	
400kG	G	400kPa	100%FS	200%FS	
600kG	G	600kPa	100%FS	200%FS	
1MG	G	1MPa	100%FS	250%FS	
1.6MS	S	1.6MPa	100%FS	250%FS	
2.5MS	S	2.5MPa	100%FS	250%FS	
4MS	S	4MPa	100%FS	250%FS	
6MS	S	6MPa	100%FS	200%FS	
10MS	S	10MPa	100%FS	200%FS	
16MS	S	16MPa	100%FS	200%FS	
25MS	S	25MPa	100%FS	200%FS	

Note: G stands for gauge pressure, S, sealed gauge pressure.

### How to order



Example: TPG2014-E-250kGC1

Refer to product model TPG2014-E, with pressure range 0 ~ 250kPa, gauge pressure, and pressure port M20×1.5.