

# E Digital Pressure Gauge

## TPG2012

### Features

- 4 digits LCD showing pressure accurately in real time, easy for observation
- Various pressure units, zero clearing, backlight, on/off functions
- Battery powered, low-power design, keeping working for 12 months
- High-precision pressure sensor adopted

### Application

- Machinery and electronics
- Supporting equipment of instruments
- Pressure laboratory
- Mechanical engineering automation

#### Notes:

- 1 Do not touch the diaphragm with hard objects, which may cause damage to the diaphragm.
- 2 Please read the Instruction Manual of the product carefully before installation and check the relevant information of the product.
- 3 Strictly follow the wiring method for wiring, otherwise it may cause product damage or other potential faults.
- 4 Misuse of the product may cause danger or personal injury.



### Overview

TPG2012-E is a high-precision intelligent digital pressure gauge. It has a high-precision sensor and displays pressure accurately in real time. It has advantages of high precision and good long term stability.

TPG2012-E is equipped with a large size LCD, featuring with functions of zero clearing, backlight, on/off button, units switching and low pressure alarm. It is convenient to install and easy to operate.

The housing and connector of TPG2012-E are made of stainless steel 304 with excellent vibration resistance. It can be used to measure gas, liquid, oil and other non-corrosive medium of stainless steel.

TPG2012-E is applicable to portable pressure measurement and equipment supporting and calibration fields.

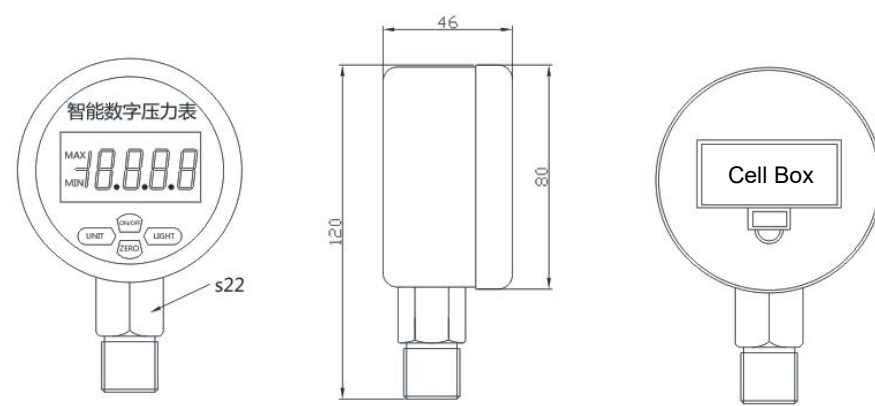
#### Notes:

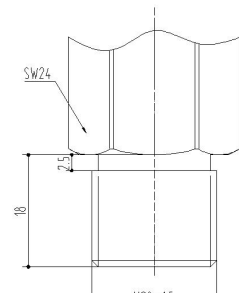
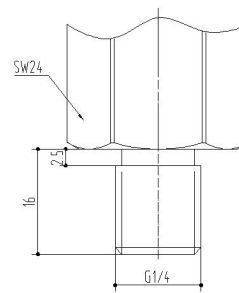
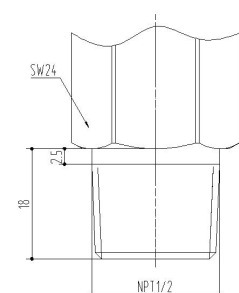
- 1 Do not misuse documentation.
- 2 The information presented in this product sheet is for reference only. Do not use this document as a product installation guide.
- 3 Complete installation, operation, and maintenance information is provided in the instructions of the product.
- 4 Misuse of the product may cause danger or personal injury.

# E Digital Pressure Gauge

## TPG2012

Performance parameters	
Pressure range	-100kPa...0~10kPa...100MPa
Pressure reference	Gauge pressure, Absolute pressure, Sealed gauge pressure
Accuracy	0.5%FS
Backlight color	Blue
Operating temp.	-10~70°C
Compensated temp.	0~60°C
Electric protection	Anti electromagnetic interference design
Sampling frequency	5/sec
Overpressure	150%FS
Long term stability	±0.2%FS/year (typical)
Supply battery	2 Triple A batteries
Material	Stainless steel for shell, 316L for isolation diaphragm
Medium compatibility	All media compatible with stainless steel 316

Structure & dimensions	
Dimension In mm	

Pressure port			
Type	C1: M20×1.5	C3: G1/4	C7: NPT1/2
Dimension In mm			

Note: Common threads are M20×1.5, G1/4, G1/2, M14×1.5, NPT1/4 and NPT1/2. Special threads can be customized for batch order.

# E Digital Pressure Gauge

TPG2012

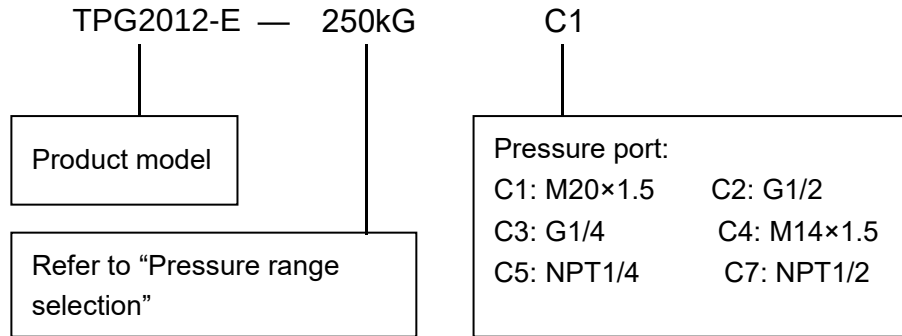
## Pressure range selection

Pressure range code	Pressure reference	Pressure range	Overpressure	Burst pressure	Remark
N1k	G	-100kPa~0	200%FS	400%FS	
NP100k	G	±100kPa	200%FS	500%FS	
N4k	G	-100~160kPa	200%FS	500%FS	
N5k	G	-100~250kPa	200%FS	500%FS	
N6k	G	-100~400kPa	200%FS	500%FS	
N7k	G	-100~600kPa	200%FS	500%FS	
N8M	G	-0.1~1MPa	200%FS	500%FS	
N9M	G	-0.1~1.6MPa	200%FS	500%FS	
5kG	G	5kPa	200%FS	500%FS	
10kG	G	10kPa	300%FS	600%FS	
16kG	G	16kPa	300%FS	600%FS	
25kG	G	25kPa	300%FS	600%FS	
40kG	G	40kPa	300%FS	600%FS	
60kG	G	60kPa	300%FS	600%FS	
100kG	G	100kPa	200%FS	500%FS	
160kG	G	160kPa	200%FS	500%FS	
250kG	G	250kPa	200%FS	500%FS	
400kG	G	400kPa	200%FS	500%FS	
600kG	G	600kPa	200%FS	500%FS	
1MG	G	1MPa	200%FS	500%FS	
1.6MS	S	1.6MPa	200%FS	500%FS	
2.5MS	S	2.5MPa	200%FS	500%FS	
4MS	S	4MPa	200%FS	400%FS	
6MS	S	6MPa	200%FS	400%FS	
10MS	S	10MPa	200%FS	400%FS	
16MS	S	16MPa	200%FS	400%FS	
25MS	S	25MPa	150%FS	300%FS	
40MS	S	40MPa	150%FS	300%FS	
60MS	S	60MPa	150%FS	300%FS	
100MS	S	100MPa	150%FS	300%FS	

Note: G stands for gauge pressure, S, sealed gauge pressure.

# E Digital Pressure Gauge

TPG2012



Example: TPG2012-E -250kGC1

Refer to product model TPG2012-E with pressure range 0~250kPa, gauge pressure, and pressure port M20×1.5.

Wotian reserves the right to make any change in this publication without notice. The information provided is believed to be accurate and reliable as of this product sheet.