

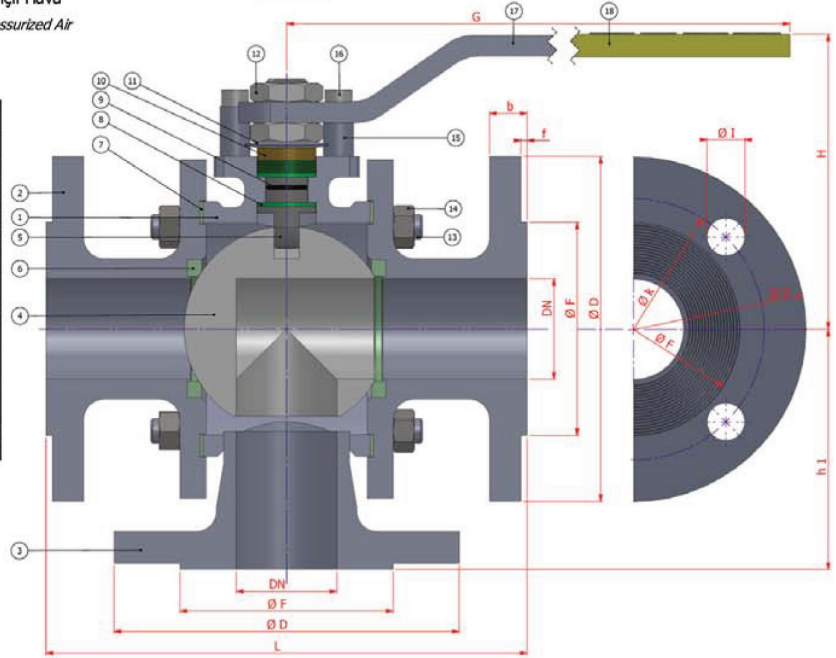
TİP TYPE: KV.3L – FL – TG {DN 15 – DN 200} {PN 16 / PN 40}

TAM GEÇİŞLİ / FLANŞLI
FULL BORE / FLANGED

Boyutlar *Dimensions* : EN 558-1
Bağlantılar *Connections* : FLANŞLI / FLANGED EN 1092-1
Çalışma Basıncı *Working Pressure* : PN 16 / PN 40
Çalışma Sıcaklığı *Working Temperature* : -30 °C / + 180 °C
Kullanım Alanları *Usage Areas* : Su, Sıcak Su, Buhar, Basıncılı Hava
Water, Hot Water, Steam, Pressurized Air



MALZEME BİLGİSİ / MATERIAL DATA			
PARÇA NO / ITEM NO	ADET / PCS	PARÇA ADI / ITEM DESCRIPTION	MALZEME / MATERIAL
18	1	PLASTİK KAPLAMA	PLASTIC COVERING PVC
17	1	KÜRE HAREKET KOLU	BALL ACTION HANDLE st 37 1.4301.
16	1	CIVATA	BOLT ST 42 Gal. 1.4301. - 1.4401.
15	1	STOPLAMA PİMİ	STOPPING PIN ST 42 Gal. 1.4301.
14	8	SOMUN	NUT 5.6. 1.4301. - 1.4401.
13	4	SAPLAMA	STOPPING PIN CK 35 / CK 45 1.4301.
12	2	KONTRA SOMUN	COUNTER NUT 5.6 Gal. 1.4301.
11	2	ÇANAK PUL	BRASS WASHER 50 Cr V 4 1.4301.
10	1	BASKI RİNGİ	PRESSURE RING MS 58 1.4301. - 1.4401.
9	1	MİLO-RİNG	SPRINGLE O-RING VITON VITON
8	4	BOĞAZ SIZDIRMAZLIK TEFLONU	NECK TIGHTNESS ELEMENT PTFE-Teflon PTFE-Teflon
7	2	GÖVDE SIZDIRMAZLIK TEFLONU	BODY TIGHTNESS ELEMENT PTFE-Teflon PTFE-Teflon
6	2	KÜRE SIZDIRMAZLIK TEFLONU	BALL TIGHTNESS ELEMENT PTFE-Teflon PTFE-Teflon
5	1	HAREKET MİLİ	ACTION SPRINGLE 1.4021 1.4301. - 1.4401.
4	1	KÜRE	BALL 1.4301 / 1.4086 1.4305. - 1.4401.
3	1	3 YOL KAPAK	COVER 3 WAY st 37-2 1.4301. - 1.4401.
2	2	KAPAK	COVER st 37-2 1.4301. - 1.4401.
1	1	GÖVDE	BODY A 216 WC B 1.4301. - 1.4401.



TİP TYPE	BOYUT ve BAĞLANTI ÖLÇÜLERİ (DIMENSIONS AND CONNECTION SIZES)																		
	PN 16												PN 40						
	L	G	H	h 1	f	D	b	k	Hole Unit	I	F	kg	D	b	k	Hole Unit	I	F	Kg
BKV.3L-FL-TG																			
DN 15 1/2"	130	150	75	65	2	95	14	65	4	14	45		95	16	65	4	14	45	
DN 20 3/4"	150	180	90	75	2	105	16	75	4	14	58		105	18	75	4	14	58	
DN 25 1"	160	230	95	80	2	115	16	85	4	14	68		115	18	85	4	14	68	
DN 32 1 1/4"	180	275	115	90	2	140	16	100	4	18	78		140	18	100	4	18	78	
DN 40 1 1/2"	200	275	120	100	3	150	16	110	4	18	88		150	18	110	4	18	88	
DN 50 2"	230	320	135	115	3	165	18	125	4	18	102		165	20	125	4	18	102	
DN 65 2 1/2"	290	380	150	145	3	185	18	145	4	18	122		185	22	145	8	18	122	
DN 80 3"	310	450	170	170	3	200	20	160	8	18	138		200	24	160	8	18	138	
DN 100 4"	350	450	200	175	3	220	20	180	8	18	158		235	24	190	8	22	162	
DN 125 5"	400	650	235	200	3	250	22	210	8	18	188		270	26	220	8	26	188	
DN 150 6"	450	900	270	270	3	285	22	240	8	22	212		300	28	250	8	26	218	
DN 200 8"	550	1100	330	330	3	340	24	295	12	22	268		375	34	320	12	30	285	

