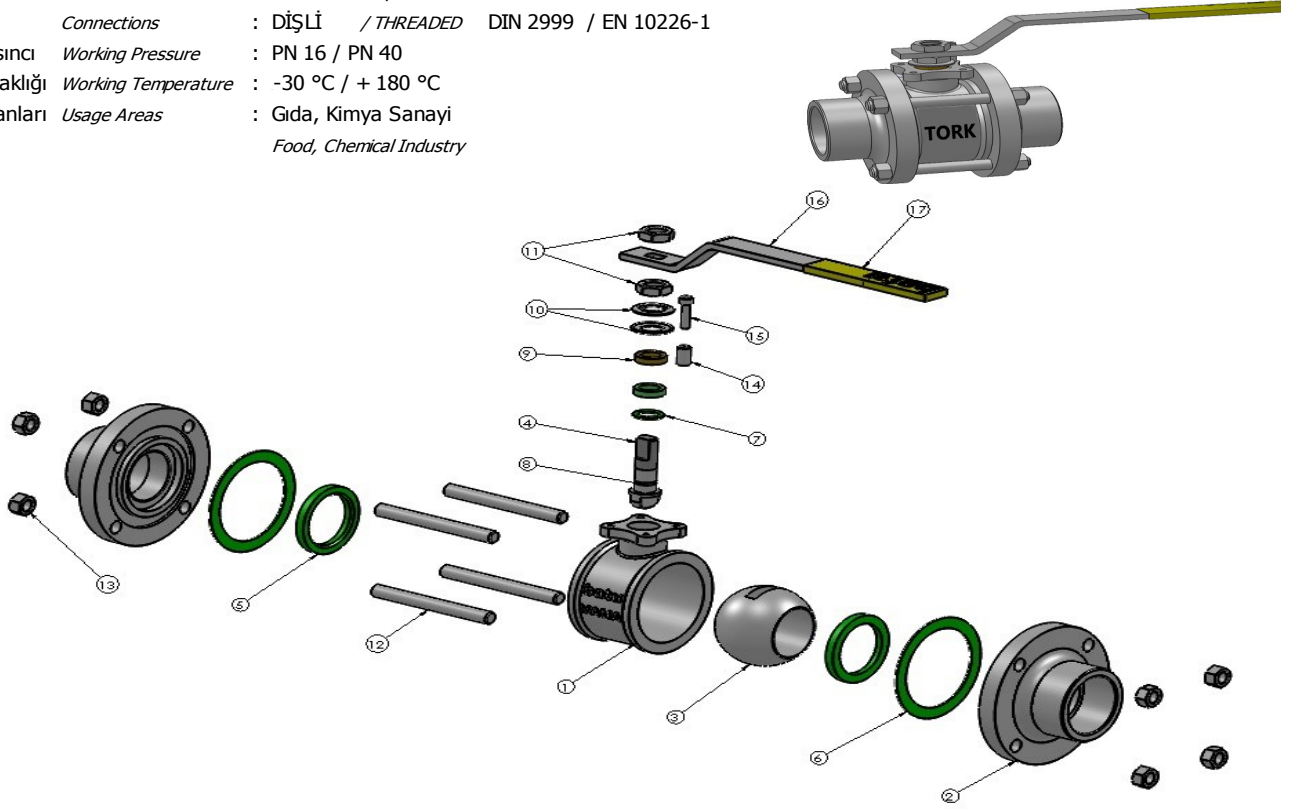


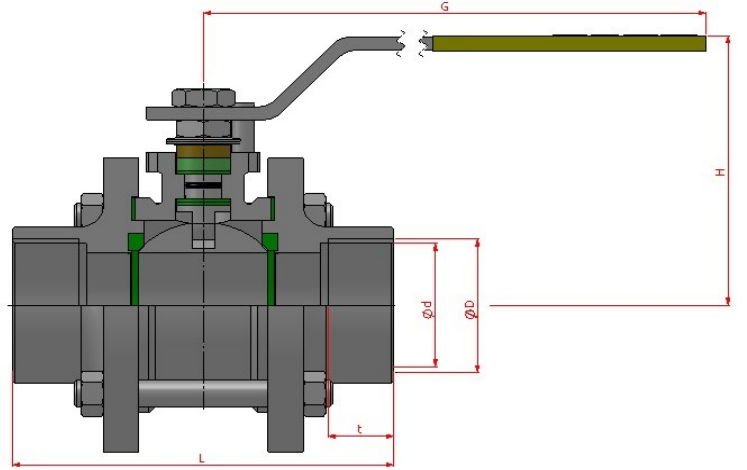
TİP TYPE: BKV - Dİ-TG {R 1/2" - R 4"} {PN 16 / PN40}

TAM GEÇİŞLİ / DİŞLİ
FULL BORE / THREADED

Boyutlar *Dimensions* : TORK ÖZEL / SPECIAL
Bağlantılar *Connections* : DİŞLİ / THREADED DIN 2999 / EN 10226-1
Çalışma Basıncı *Working Pressure* : PN 16 / PN 40
Çalışma Sıcaklığı *Working Temperature* : -30 °C / + 180 °C
Kullanım Alanları *Usage Areas* : Gıda, Kimya Sanayi
Food, Chemical Industry



MALZEME BİLGİSİ MATERIAL DATA				
PARÇA NO ITEM NO	ADET PCS	PARÇA ADI ITEM DESCRIPTION	MALZEME MATERIAL	
17	1	PLASTİK KAPLAMA	PLASTIC COVERING	PVC
16	1	KÜRE HAREKET KOLU	BALL ACTION HANDLE	1.4301.
15	1	CİVATA	BOLT	1.4301. - 1.4401.
14	1	STOPLAMA PİMİ	STOPPING PIM	1.4301.
13	8	SOMUN	NUT	1.4301. - 1.4401.
12	4	SAPLAMA	STOPPING PIM	1.4301.
11	2	KONTRA SOMUN	COUNTER NUT	1.4301.
10	2	ÇANAK PUL	BOWL WASHER	1.4301.
9	1	BASKI RİNGİ	PRESSURE RING	1.4301. - 1.4401.
8	1	MİLO-RING	SPINDLE O-RING	VİTON
7	4	BOĞAZ SIZDIRMAZLIK TEFLONU	NECK TIGHTNESS ELEMENT	PTFE-Teflon
6	2	GÖVDE SIZDIRMAZLIK TEFLONU	BODY TIGHTNESS ELEMENT	PTFE-Teflon
5	2	KÜRE SIZDIRMAZLIK TEFLONU	BALL TIGHTNESS ELEMENT	PTFE-Teflon
4	1	HAREKET MİLİ	ACTION SPINDLE	1.4301. - 1.4401.
3	1	KÜRE	BALL	1.4305. - 1.4401.
2	2	KAPAK	COVER	1.4301. - 1.4401.
1	1	GÖVDE	BODY	1.4301. - 1.4401.



TİP TYPE	BOYUT ve BAĞLANTI ÖLÇÜLERİ (DIMENSTONS AND CONNECTION SIZES)							
	PN 16 / 40						PN 16	PN 40
	L	G	H	d	D	t	kg	Kg
BKV-Dİ-TG								
DN 15 1/2"	75	150	75	15	1/2"	14	1,1	1,1
DN 20 3/4"	80	150	83	20	3/4"	17	1,4	1,5
DN 25 1"	90	180	90	20	1"	20	2,0	2,0
DN 32 1 1/4"	110	230	95	32	1 1/4"	22	2,8	3,0
DN 40 1 1/2"	120	275	115	40	1 1/2"	25	3,6	4,4
DN 50 2"	140	275	120	50	2"	28	5,7	6,1
DN 65 2 1/2"	170	320	135	65	2 1/2"	32	8,8	9,5
DN 80 3"	195	380	150	80	3"	35	14,2	16,6
DN 100 4"	230	450	170	100	4"	40	24,0	25,2