



**Valve air unit essential to provide clean and dry supply air to valve positioners, solenoid valves and pneumatic actuators**

### Features

- ▶ Rugged aluminum die-cast housing
- ▶ Optional stainless steel 316 housing
- ▶ Stable setting pressure
- ▶ High capacity with 5 micron filter
- ▶ Self-relief function to balance output and setting pressures
- ▶ High flow capacity

### Specifications

Model	FR-10	FR-30
Port Size	PT(Rc) 1/4 or NPT 1/4	NPT 1/4 (other on request)
Fluid	Air	
Output Pressure Range	0 - 8 bar (120 psi)	
Max. Supply Pressure	15 bar (225 psi)	
Operating and Fluid Temperature	Max. +70°C (no freezing)	
Supply Air	Filtered compressed, dry and non-oiled air (up to 5 micron)	
Gauge Port Size	PT(Rc) 1/8	
Filtration	5 micron	
Housing Material	Aluminum die-cast	Stainless steel 316
Pressure Gauge Material	Stainless steel	
Weight	0.5 kg	1 kg



**FR-30**

### How to Order

**FR**

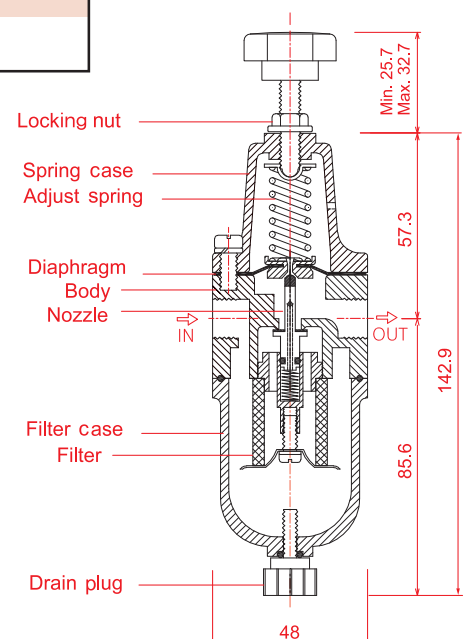
Body Material

Port Size

Pressure Gauge

Body Color

Description	Code	
Body Material :	10 : Aluminum die-cast	30 : Stainless steel 316
Port Size :	P : PT(Rc) 1/4	N : NPT 1/4
Pressure Gauge :	N : None	1 : 6 bar(90 psi)      2 : 10 bar(150 psi)
Body Color :	B : Black(standard)	G : Gray      S : None(for FR30)

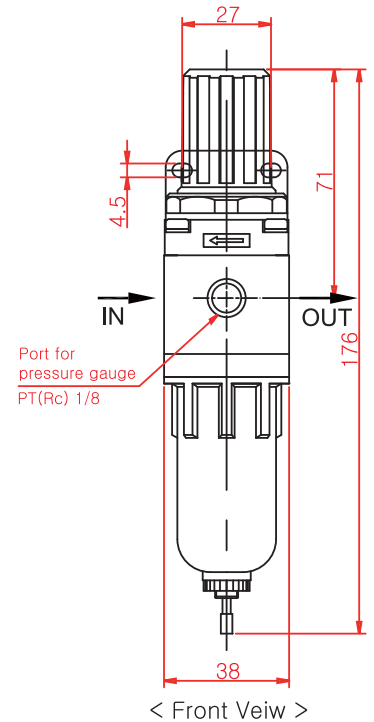




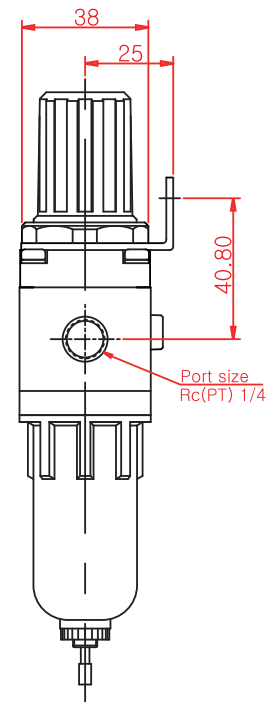
**Compact air filter regulator with poly-carbonated body and optional auto-drain function**

### Specifications

Model	FR15
Port Size	PT(Rc) 1/4 or NPT 1/4
Fluid	Air
Max. Supply Pressure	15 bar (225 psi)
Max. Operating Pressure	9 bar (130 psi)
Regulating Pressure	0.5 ~ 8.5 bar (7 ~ 123 psi)
Operating Temperature	+5 ~ +60°C (41 ~ 140°F)
Supply Air	Filtered compressed, dry, non-oiled air and no freezing
Gauge Port Size	PT(Rc) 1/8
Filtration	10 microns
Housing Material	Poly -carbonate
Pressure Gauge Material	Stainless steel
Weight	0.4 Kg (with pressure gauge)



< Front View >



< Side View >

### How to Order

**FR15**

Port Size

Pressure Gauge

Drain Type

Bowl Material

Description	Code
Port Size :	P : PT(Rc) 1/4 N : NPT 1/4
Pressure Gauge :	N : None 1 : 6bar(90psi) 2 : 10bar(150psi)
Drain Type :	M : Manual(standard) A : Auto-drain
Bowl Material :	N : PC bowl(standard) L : Metal bowl



**Valve air unit essential to provide clean and dry supply air to valve positioners, solenoid valves and pneumatic actuators**

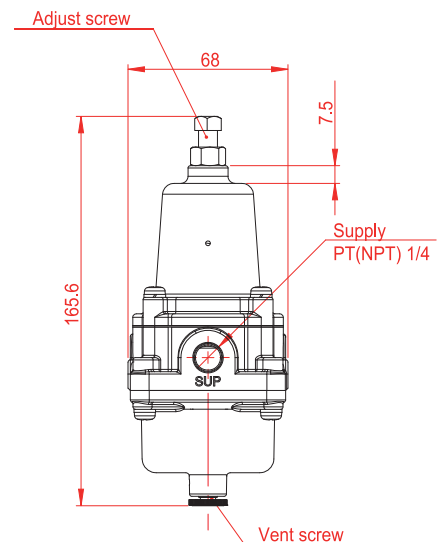
### Features

- ▶ Rugged aluminum die-cast housing
- ▶ Excellent stability and repeatability
- ▶ Outstanding sensitivity with precise setting
- ▶ High capacity with 5 micron filter
- ▶ Self-relief function to balance output and setting pressures
- ▶ High flow capacity

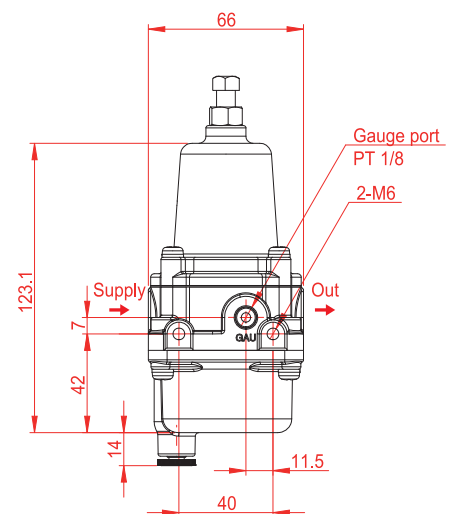
### Specifications

Model	FR-20
Port Size	PT(Rc) 1/4 or NPT 1/4
Fluid	Air
Output Pressure Range	0 - 8 bar (120 psi)
Max. Supply Pressure	15 bar (225 psi)
Operating and Fluid Temperature	Max. +70°C (no freezing)
Supply Air	Filtered compressed, dry and non-oiled air (up to 5 micron)
Gauge Port Size	PT(Rc) 1/8
Filteration	5 micon
Housing Material	Aluminum die-cast
Pressure Gauge Material	Stainless steel
Weight	0.65 kg

### Dimensions



< Front view >



< Side view >

### How to Order

## FR20

— Port Size

Pressure Gauge

Body Color

Description	Code	
Port Size :	P : PT(Rc) 1/4	N : NPT 1/4
Pressure Gauge :	N : None	
	1 : 6 bar (90 psi)	2 : 10 bar (150 psi)
Body Color :	B : Black (standard)	
	G : Gray	