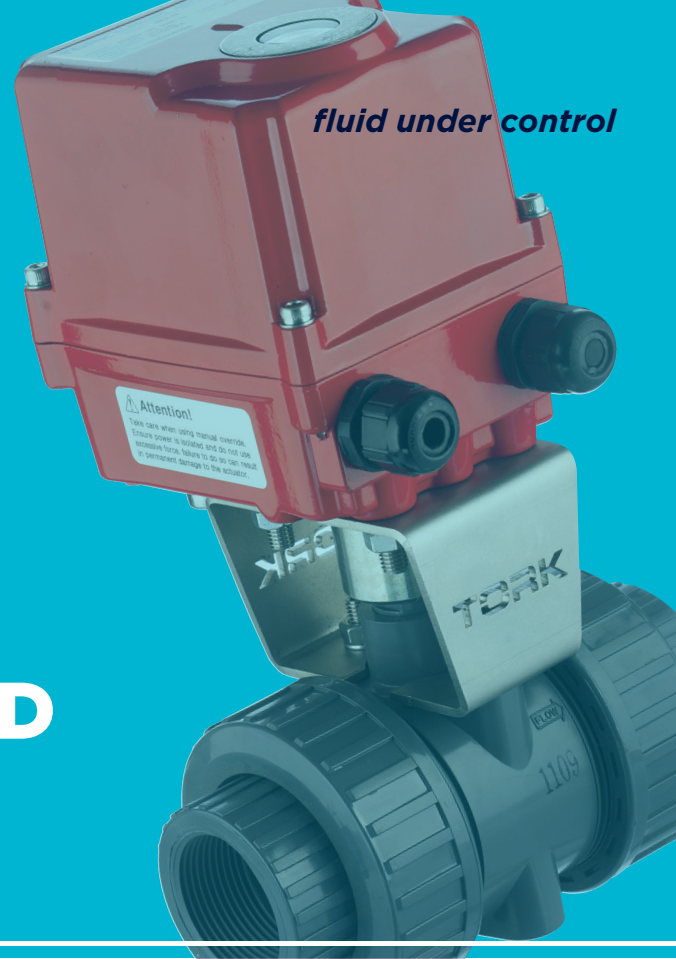


# ELECTRIC ACTUATED PVC BALL VALVE (EAV-913)



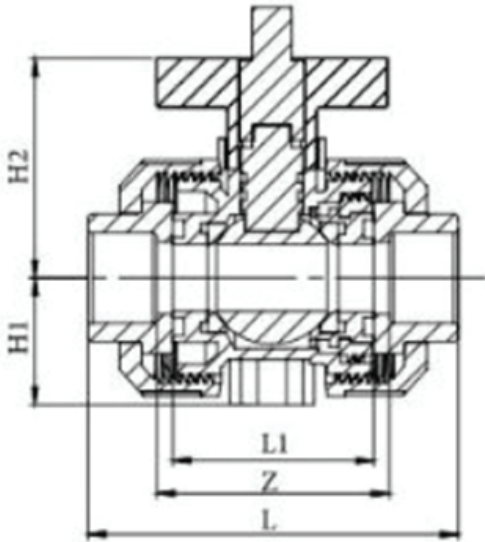
## Ball Valve Details

Body	: U-PVC
Ball	: U-PVC
Cover Flange	: ISO5211
Working Pressure	: PN16
Way	: 2/2
Size	: 1/2" ... 4"
Applications	: • Used for water, acid, base and various chemicals. • (Please indicate fluid type in order.) • For purpose of drain and stopper at the end of the line • Treatment plants • Chemical applications • Pool installation
Sealing	: PTFE

## Electric Actuator Details

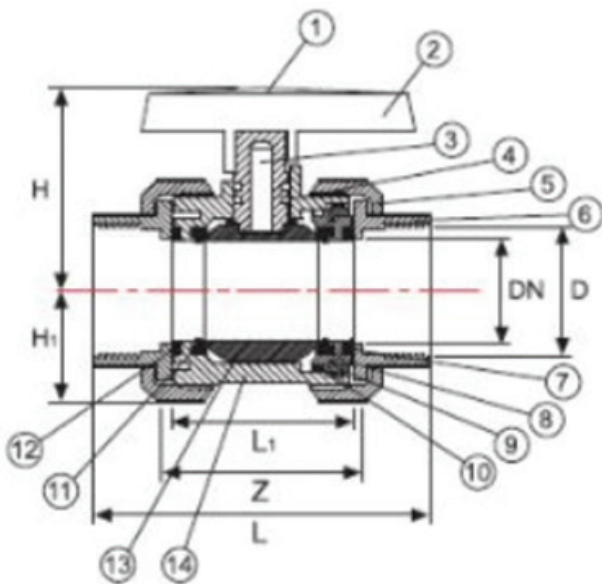
Type	: On-off, on request proportional (Except TREA40)
Protection Class	: IP67, on request IP68
ATEX Protection Class	: II 2G Ex db IIC T4 GB (on request )
Dehumidification	: 5 W Heater Against Humidity
Working Voltage	: 220VAC, 24VDC, 380VAC (Only On-Off position and from TREA150)
Working Temperature	: -20°C...+70°C (-50°C...80°C)
Torque Range	: 40Nm...1200 Nm
Body	: Aluminium Extrusion
Valve Connection	: Suitable for specified connection dimensions of ISO 5211
Position Indicator	: Open / Close
Alternative Operation	: Manual Handle or on Pcb
On Request Annexes	: Potentiometer Annexes, Current Up to Position Output Annex (4...20 mA), Chargeable Battery Unit, LCU, Flame Proof

## ▶ BALL VALVE SIZES



DIAMETER	PRESSURE	DN (mm)	Z (mm)	L1 (mm)	L (mm)	H1 (mm)	R (INCH)	Kg
20	16	15	60	48	85	27	1/2"	0,156
25	16	20	58	45	95	31	3/4"	0,206
32	16	25	68	49	107	33	1"	0,267
40	16	32	82	54	128	41	1 1/4"	0,442
50	16	40	94	65	154	46	1 1/2"	0,690
63	16	50	98	74	172	58	2"	1,145
75	16	65	119	87	196	65	2 1/2"	1,510
90	16	80	156	98	241	89	3"	3,580
110	16	100	185	150	289	105	4"	5,485

## ▶ BALL VALVE MATERIAL



NO	PART NAME	RAW MATERIAL	PIECE
1	HANDLE CAP	U-PVC	1
2	HANDLE	ABS	1
3	PIM	U-PVC	1
4	PIM O-RING	EPDM	2
5	NUT	U-PVC	2
6	CONNECTION PART	U-PVC	2
7	BODY O-RING	EPDM	2
8	COMPRESSION PIECE	U-PVC	1
9	BALL	U-PVC	1
10	COMPRESSION PIECE ORING	EPDM	1
11	BALL SEALING	Water Valve; HDPE Acid Valve; PTFE	2
12	SEALING BOTTOM ORING	EPDM	2
13	BALL	U-PVC	1
14	BODY	U-PVC	1

Ball Valve Code : TORK-KV.913

Electric Actuated Ball Valve Code : EAV-913