

# 2/2 WAY ELECTRIC ACTUATED 2 PIECES FLANGED STAINLESS STEEL BALL VALVE (EAV-906F)



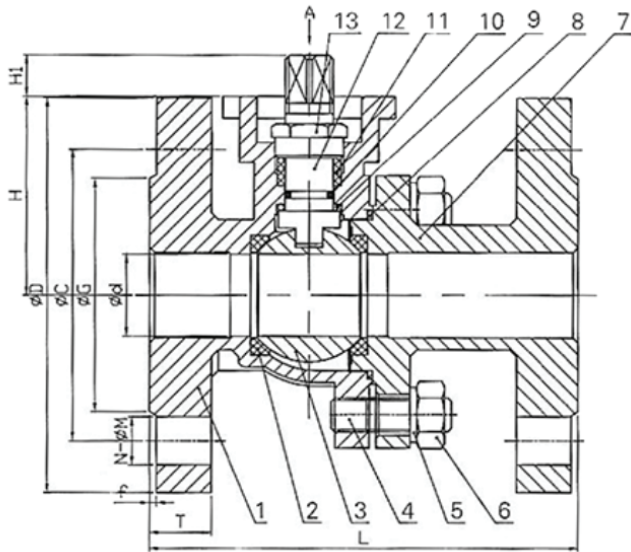
## Ball Valve Details

Body	: SS304 / SS316
Ball	: SS304 / SS316
Cover Flange	: ISO5211
Working Pressure	: PN16
Flange Connection	: PN16
Way	: 2/2
Size	: 1/2" ... 2"
Applications	: • Chemical Industry • For acids and chemical controls • For purpose of drain and stopper at the end of the line • Treatment plants • Stainless Steel Resistant Fluid Types
Sealing	: PTFE

## Electric Actuator Details

Type	: On-off, on request proportional (Except TREA40)
Protection Class	: IP67, on request IP68
ATEX Protection Class	: II 2G Ex db IIC T4 GB (on request )
Dehumidification	: 5 W Heater Against Humidity
Working Voltage	: 220VAC, 24VDC, 380VAC (Only On-Off position and from TREA150)
Working Temperature	: -20°C...+70°C (-50°C...80°C)
Torque Range	: 40Nm...1200 Nm
Body	: Aluminium Extrusion
Valve Connection	: Suitable for specified connection dimensions of ISO 5211
Position Indicator	: Open / Close
Alternative Operation	: Manual Handle or on Pcb
On Request Annexes	: Potentiometer Annexes, Current Up to Position Output Annex (4...20 mA), Chargeable Battery Unit, LCU, Flame Proof

## ▶ BALL VALVE SIZE



SIZE	d	D	C	G	t	T	N-ØM	L	H	H1	K	K1	ØB	ØA	S	ISO 5211
15	15	95	65	45	2	16	4 - Ø14	115	50	10	42	36	6	6	9	F04
20	20	105	75	58	2	18	4 - Ø14	120	55	10	42	36	6	6	9	F04
25	24	115	85	68	2	18	4 - Ø14	125	58	12	50	42	7	6	11	F05
32	32	140	100	78	2	18	4 - Ø18	130	42	12	50	42	7	6	11	F05
40	38	150	110	88	3	18	4 - Ø18	140	76	14	70	50	9	7	14	F07
50	46	165	125	102	3	20	4 - Ø18	150	85	14	70	50	9	7	14	F07

## ▶ BALL VALVE MATERIAL

P. NO	PART NAME	MATERIAL TYPE	PIECE
1	Body	AISI 316 / AISI 304	1
2	Hand Wheel Sealing	PTFE	2
3	Ball	SS304 / SS316	1
4	Screw	SS304 / SS316	2
5	Upper Stamp	SS304 / SS316	1
6	Pressure Nut	SS304 / SS316	1
7	Input-Output	SS304 / SS316	2
8	Sealing	SS304 / SS316	2
9	Clamping Washer	PTFE	1
10	O-Rings	PTFE	1
11	Pulley Sealing	PTFE	4 + 12
12	Body Pulley	SS304 / SS316	8 - 12
13	Direction Bar	SS304 / SS316	

Ball Valve Code : Tork-KV.906F

Electric Actuated Ball Valve Code : EAV-906F