

3/2 WAY ELECTRIC ACTUATED STAINLESS STEEL BALL VALVE



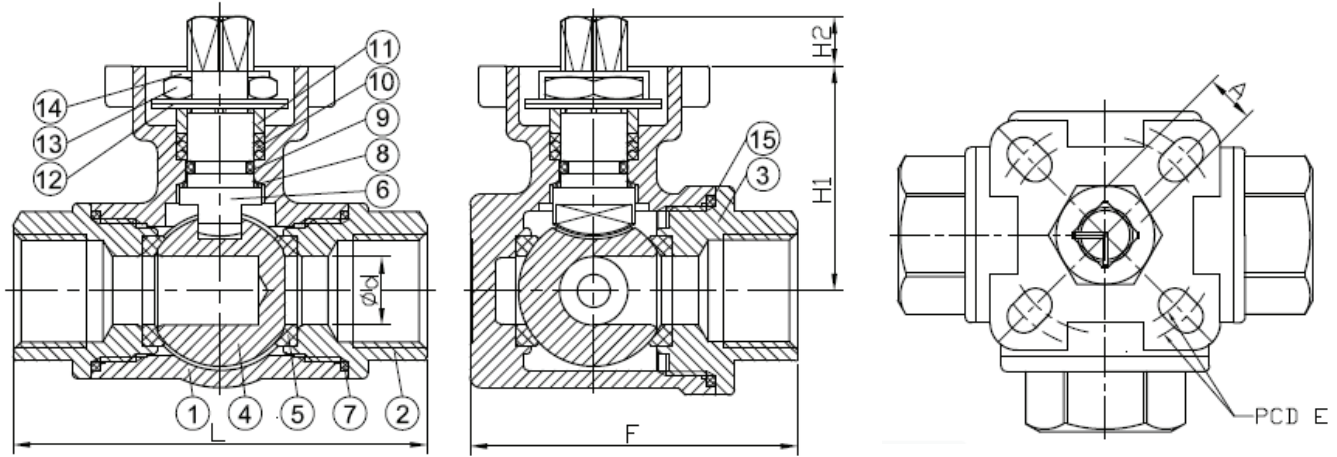
Ball Valve Details

Body	: SS304
Ball	: SS304
Cover Flange	: ISO5211
Connection Standard	: NPT, BSPT, DIN259, DIN2999, ISO CLASS A
Working Pressure	: PN 63
Way	: 3/2 (L-Type or T-Type)
Size	: 1/2" 2"
Applications	: • Chemical Industry • For acids and chemical controls • For purpose of drain and stopper at the end of the line • Treatment plants • Stainless Steel Resistant Fluid Types
Sealing	: PTFE

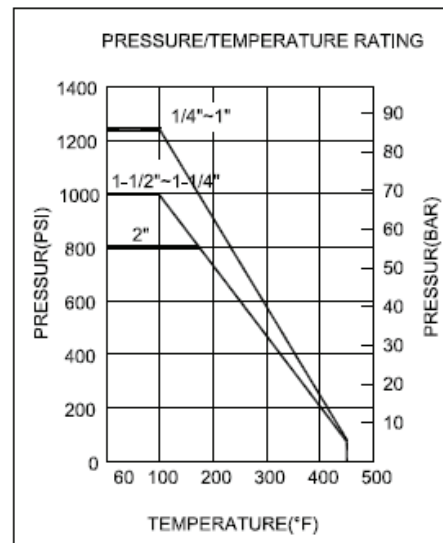
Electric Actuator Details

Type	: On-off, on request proportional (Except TREA40)
Protection Class	: IP67, on request IP68
ATEX Protection Class	: II 2G Ex db IIC T4 GB (on request)
Dehumidification	: 5 W Heater Against Humidity
Working Voltage	: 220VAC, 24VDC, 380VAC (Only On-Off position and from TREA150)
Working Temperature	: -20°C...+70°C (-50°C...80°C)
Torque Range	: 40Nm...1200 Nm
Body	: Aluminium Extrusion
Valve Connection	: Suitable for specified connection dimensions of ISO 5211
Position Indicator	: Open / Close
Alternative Operation	: Manual Handle or on Pcb
On Request Annexes	: Potentiometer Annexes, Current Up to Position Output Annex (4...20 mA), Chargeable Battery Unit, LCU, Flame Proof

▶ BALL VALVE SIZE



P. NO	PART NAME	MATERIAL TYPE
1	Body	CF8/CF8M
2	Cap-B	CF8/CF8M
3	Cap-A	CF8/CF8M
4	Ball	CF8/CF8M
5	Bearing	PTFE
6	Gasket	SUS304/SUS316
7	Sealing-B	PTFE
8	Stamp	15%R+PTFE
9	O-Ring	VITON
10	Gasket	PTFE
11	Gasket Bracelet	SUS 304
12	Spring Washer	SUS 304
13	Gasket Nut	SUS 304
14	Disc Spring	SUS 304
15	Sealing-A	PTFE



SIZE	d	L	F	E	H1	H2	A
1/4"	11.6	76.0	58.5	□36 / □42	41.0	9	9
3/8"	12.5	76.0	58.5	□36 / □42	41.0	9	9
1/2"	12.5	76.0	58.5	□36 / □42	41.0	9	9
3/4"	16.0	86.0	72.1	□36 / □42	44.3	9	9
1"	20.0	99.1	81.8	□42 / □50	53.5	11	11
1-1/4"	25.0	117.4	94.7	□42 / □50	59.2	11	11
1-1/2"	32.0	123.8	103.9	□50 / □70	75.9	15	14
2"	38.0	148.0	125.5	□50 / □70	84.1	15	14

TYPE	1	2	3	4
L				
T				

Ball Valve Code : Tork-KV.904
 Electric Actuated Ball Valve Code : EAV-904