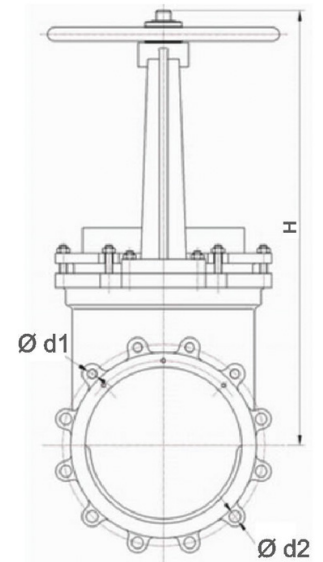
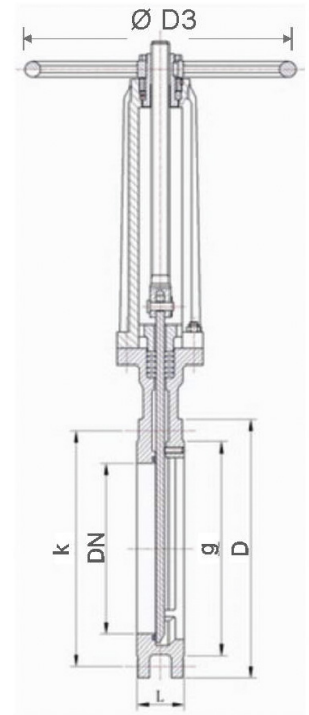


## Knife Gate Valve

## S1200 S1201 Series

Applications	: Waste water lines, fibrous fluids, solid particles lines, Paper industry, Cement industry, etc.
Control	: Manuel, gear box, pneumatic and electrical
Nominal Pressure	: PN 16, PN 10, PN 6, PN 4
Operating Pressure	: DN 40 - DN 125; 10 bar (max.) DN 150 - DN 200; 6 bar (max.) DN 250 - DN 300; 4 bar (max.) DN 350 - DN 600; 3 bar (max.) DN 700 - DN 800; 2 bar (max.)
Operating Temperature	: max. 120 °C
Ends	: Flanşlı, wafer, lug, semi lug (TS EN 1092 - 2/ISO (EN3202/3-K1)
Production Sizes	: DN 40 - Dn 800
Valve Dimensions	: DIN EN 558-1/20(EN3202/3-K1
Tests	: DIN EN 12266



### PART and MATERIAL TABLE

No	Part Name	Material
1	Body	GG-25 / GGG-40.3 / GS-C25 / AISI 304-316
2	Wedge	AISI 304 - AISI 316
3	Seat	EPDM - NBR - NR - VITON
4	Packing	Graphite - PTFE
5	Packing Gland	GG-25 / GGG-40.3 / GS-C25 / AISI 304-316
6	Volan	GG-25
7	Stem	AISI 420 / AISI 304 / AISI 316
8	Yoke	GG-25 / GGG-40.3 / GS-C25 / AISI 304-316

Nominal Pressures	PN	10-16						6-10			4-6			2,5-4		
Nominal Diameters	DN	50	65	80	100	125	150	200	250	300	350	400	500	350	700	800
Valve Dimensions DIN EN 558-1/20 DIN EN 3202/3-K1	L	43	46	46	52	56	56	60	68	78	78	102	127	154	165	190
	H	450	470	500	550	600	650	750	870	1000	1100	1200	1400	1600	1850	2100
Flange Dimensions DIN 2501/TS 810/PN 10 DIN EN 1092-2	D3	200	200	200	225	225	250	250	315	360	400	400	400	500	630	630
	ØD	165	185	200	220	250	285	340	395	445	505	565	670	780	895	1015
	Øk	125	145	180	180	210	240	295	350	400	460	515	620	725	840	950
	Ød1xad	M1 6x2	M1 6x2	M1 6x2	M1 6x2	M1 6x2	M20x2	M20x2	M20x4	M20x4	M20x6	M24x6	M24x6	M27x6	M27x8	M30x8
DIN 2501/TS 810/PN 16 DIN EN 1092-2	Ød2xad	M1 8x2	M1 8x2	M1 8x2	M1 8x2	M1 8x2	M22x2	M22x2	M22x4	M22x4	M22x4	M26x6	M26x6	M30x6	M30x8	M33x8
	ØD	165	185	220	250	250	285	340	405	460	420	580	715	8400	910	1025
	Øk	125	145	160	210	210	240	295	355	410	470	525	650	770	840	950
	Ød1xad	M1 6x2	M1 6x2	M1 6x2	M1 6x2	M1 6x2	M20x2	M20x4	M24x4	M24x4	M24x6	M27x6	M30x6	M33x6	M33x8	M36x8
Weight	kg(-)	12,5	13,5	15	20	23,5	28,5	44	67	98,5	141	168	260	380	547	952