

Explosion Proof General Purpose Solenoid Valve SX7130 Series (G3/4", G1", G1 1/4", G1 1/2", 2")

GENERAL FEATURES

- Wide pressure range, flow rate and orifice options are available.
- Solenoid valves should be used with filter.

WHAT IS DOUBLE COILED SOLENOID VALVE?

It is a normally closed solenoid valve designed to provide flow rate in two different level.

It is used generally at filling facilities with high load at the beginning and then to complete the filling by low flow rate.

ELECTRICAL CHARACTERISTICS

Continuous Duty	: ED %100
Coil Insulation Class	: H (180°C)(IEC 85)
Coil Impregnation	: Polyester Fiber Glass
Ambient Temperature	: -10°C, +60°C
Protection Degree	: IP67
Electric Plug Connection:	DIN 46340 3-Poles Connector (DIN 43650)
Connector Specification:	ISO 4400 / EN 175301-803 Form A, Spade Plug (Cable Ø6-8 mm)
Electrical Safety	: IEC 335
Standard Voltages	: AC 12V 15VA, 24V 15VA, 48V 15VA, 110V 15VA, 230V 15VA, 230V 24VA DC 12V 18W, 24V 18W, 48V 18W, 110V 18W

Atex Protection Class : Ex mb IIC T4 Gb

On request other voltages

Voltages Tolerance : AC -15% , +10% DC -5% , +10%

Frequency : 50 Hz (60 Hz...)

In order, please specify coil voltage. For details, please look at coil section..

MATERIALS IN CONTACT WITH FLUID

Body	: Brass
Internal Parts	: Stainless Steel
Sealing	: VITON (On request; NBR, EPDM)
Shading Ring	: Copper (EN 12735-1)
Seats, Core Tube, Springs:	Stainless Steel

OPTIONS

Female connection: BSP; (On request NPT)

TECHNICAL FEATURES

Max. Viscosity	: 5°E (-37cST veya mm ² /s)
Response Time	: Opening time : 400 ms - 1600 ms Closing Time : 1000 ms - 2000 ms

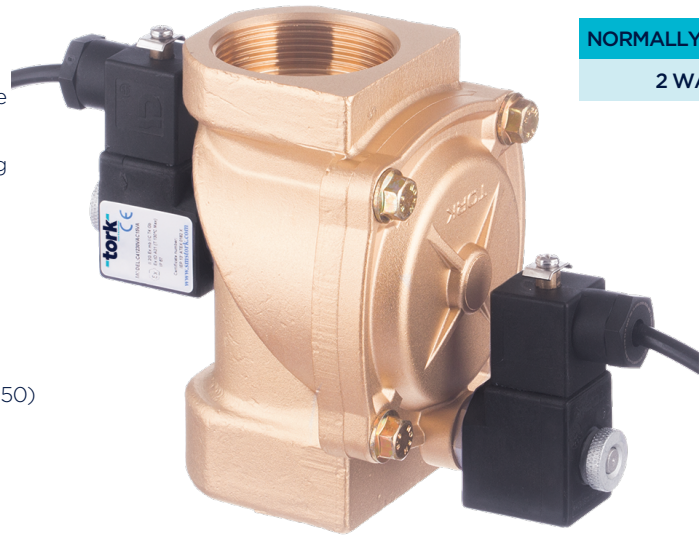
SEALS FEATURES

NBR	: -10°C...+80°C
EPDM	: -10°C...+130°C
VITON	: -10°C...+160°C
PTFE	: -10°C...+180°C
RUBY	: -10°C...+160°C

STANDARDS

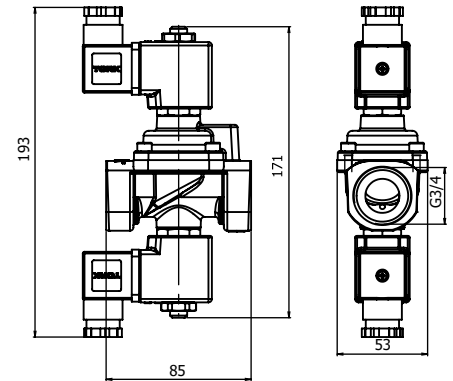
- Standard tube connection G (BSP) (ISO 228-1) and other tube connections (NPT (ANSI 1.20.3)) are available on request.
- TORK solenoid valves 97/23/EC, are available for pressure equipment directive (PED) and 2006/95/ECC low voltage directive (LVD).

Not: Please look catalogues for more details



NORMALLY CLOSED

2 WAY



Coils	Nominal Values	Cold/Hot	Inrush	Holding	Current (A)	Surface Temperature (°C)	
						COLD	HOT
C41012VDC18W	12VDC 18W	COLD	19,56	19,56	1,63	20	
		HOT	14,52	14,52	1,21	106	
C41024VDC18W	24VDC 18W	COLD	20,88	20,88	0,87	25	
		HOT	14,64	14,64	0,61	116	
C41110VDC18W	110VDC 18W	COLD	19,96	19,96	0,18	23	
		HOT	13,56	13,56	0,123	115	
C41012VAC15VA	12VAC 15VA	COLD	23,81	16,43	1,3	25	
		HOT	-	15,86	1,262	79	
C41024VAC15VA	24VAC 15VA	COLD	25,82	15,02	0,62	22	
		HOT	-	13,91	0,57	81	
C41110VAC15VA	110VAC 15VA	COLD	30,65	15,17	0,137	24	
		HOT	-	13,96	0,126	80	
C41230VAC15VA	230VAC 15VA	HOT	31,4	15,64	0,068	25	
		HOT	-	14,41	0,063	80	
C41230VAC24VA	230VAC 24VA	COLD	45,1	23,92	0,0154	23	
		HOT	-	21,62	0,0154	100	

Valve Type/ Order No	Connection Size	Orifice Size	Pressure min/max	Basınç min/max		Kv	Seal	Weight	
				Bar	Bar				
SX7130	G	mm	mm	Bar	Bar	Lt/dk	Viton	kg	
							Opsiyon		
							NBR		
							EPDM		
SX7130.04	3/4"	17	2.5	0	25	85/2.7	✓	✓	0,8
SX7130.05	1"	17	2.5	0	25	90/2.7	✓	✓	0,95
SX7130.06	1 1/4"	30	2.5	0.5	12	390/2.7	✓	✓	2,8
SX7130.07	1 1/2"	39	2.5	0.5	12	460/2.7	✓	✓	2,95
SX7130.08	2"	46	2.5	0.5	12	580/2.7	✓	✓	3,2