

Oxygen and Hydrogen Gas Solenoid Valve S8813 Serisi (G3/8", G1/2", G3/4", G1")

GENERAL FEATURES

- Wide pressure range, flow rate and orifice options are available.
- Solenoid valves must be used with filters.
- Solenoid valves can be mounted in any position without affecting their operation;
- Coil should be preferred in vertical up position.
- Degreasing process has been applied.

ELECTRICAL CHARACTERISTICS

| | |
|--------------------------|--|
| Continuous Duty | : ED %100 |
| Coil Insulation Class | : H (180°C)(IEC 85) |
| Coil Impregnation | : Reinforced Fiber Glass |
| Ambient Temperature | : 10°C, +60°C |
| Protection Degree | : IP65 (ISO 60529) On request; IP68 |
| Electric Plug Connection | : DIN 46340 3- Poles Connector(DIN43650) |
| Connector Specification | : ISO 4400 / EN 175301803 Form A, Spade Plug (Cable Ø6-8mm) |
| Electrical Safety | : IEC 335 |
| Standard Voltages | : AC 12V 15VA, 24V 15VA, 48V 15VA, 110V 15VA, 230V 15VA, 230V 24VA, DC 12V 18W, 24V 18W, 48V 18W, 110V 18W |

On request other voltages

Voltages Tolerance : AC 15%, +10% DC 5%, +10%

Frequency : 50 Hz (60 Hz...)

On request; Connector with LED, PWM socket

Specify coil voltage with order

MATERIALS IN CONTACT WITH FLUID

| | |
|---------------------------|--------------------------|
| Body | : Brass |
| Internal Parts | : Stainless Stell |
| Sealing | : EPDM |
| Shading Ring | : Copper (EN 127351) |
| Seats, Core Tube, Springs | : Stainless Stell, Brass |

OPTIONS

Connection thread : BSP; on request NPT

On request CR-Ni coating, PTFE coating

On request Atex (exproof) coil

TECHNICAL FEATURES

Max. Viscosity : 5°E (-37cST or mm2/s)

Response Time : Opening time : 400 ms-1600 ms

Closing Time : 1000 ms-2000 ms

SEALING FEATURES

NBR : -10°C...+80°C

EPDM : -10°C...+130°C

VITON : -10°C...+160°C

PTFE : -10°C...+160°C

RUBY : -10°C...+160°C



HIGH PRESSURE

NORMALLY CLOSED

2 WAY

PILOT OPERATED

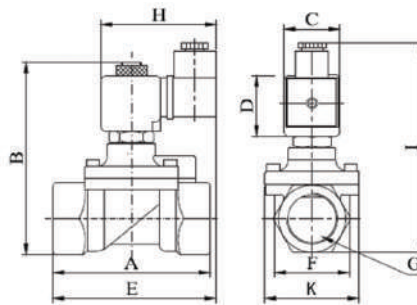
ΔP=0,5



OXYGEN



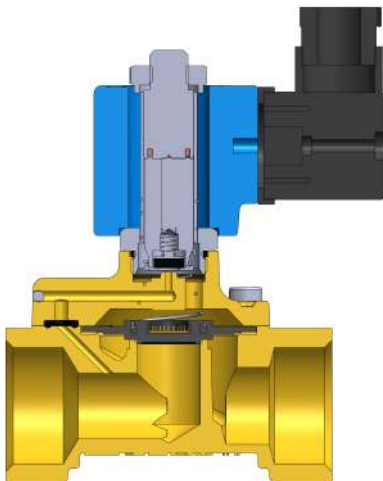
HYDROGEN



Dimensions (mm)

| | G | A | B | C | D | E | F | K | H | I |
|------|----|-------|----|----|------|------|----|----|-----|---|
| 3/8" | 75 | 97 | 32 | 45 | 91,3 | 37,5 | 52 | 76 | 108 | |
| 1/2" | 79 | 100 | 32 | 45 | 92 | 39,8 | 52 | 76 | 110 | |
| 3/4" | 79 | 107,3 | 32 | 45 | 94 | 41,5 | 52 | 76 | 118 | |
| 1" | 85 | 115 | 32 | 45 | 96 | 42,5 | 52 | 76 | 124 | |

| Coils | Nominal Values | Cold/Hot | Inrush | Holding | Current | Surface Temperature (°C) |
|---------------|----------------|----------|--------|---------|---------|--------------------------|
| C40012VDC18W | 12VDC 18W | SOĞUK | 19,56 | 19,56 | 1,63 | 20 |
| | | SICAK | 14,52 | 14,52 | 1,21 | 106 |
| C40024VDC18W | 24VDC 18W | SOĞUK | 20,88 | 20,88 | 0,87 | 25 |
| | | SICAK | 14,64 | 14,64 | 0,61 | 116 |
| C40110VDC18W | 110VDC 18W | SOĞUK | 19,96 | 19,96 | 0,18 | 23 |
| | | SICAK | 13,56 | 13,56 | 0,123 | 115 |
| C40012VAC15VA | 12VAC 15VA | SOĞUK | 23,81 | 16,43 | 1,3 | 25 |
| | | SICAK | - | 15,86 | 1,262 | 79 |
| C40024VAC15VA | 24VAC 15VA | SOĞUK | 25,82 | 15,02 | 0,62 | 22 |
| | | SICAK | - | 13,91 | 0,57 | 81 |
| C40110VAC15VA | 110VAC 15VA | SOĞUK | 30,65 | 15,17 | 0,137 | 24 |
| | | SICAK | - | 13,96 | 0,126 | 80 |
| C40230VAC15VA | 230VAC 15VA | SOĞUK | 31,4 | 15,64 | 0,068 | 25 |
| | | SICAK | - | 14,41 | 0,063 | 80 |
| C40230VAC24VA | 230VAC 24VA | SOĞUK | 45,1 | 23,92 | 0,0154 | 23 |
| | | SICAK | - | 21,62 | 0,0154 | 100 |



| Solenoid Valve Symbol | Valve Type / Order No | Connection Size | Orifice Size | Pressure min/max | Kv | Sealing | Weight | |
|-----------------------|-----------------------|-----------------|--------------|------------------|-----|---------|--------|------|
| | S8813 | G | mm | Bar | Bar | Lt/min | EPDM | kg |
| | S8813.02 | 3/8" | 12,5 | 0,5 | 40 | 48 | ✓ | 0,69 |
| | S8813.03 | 1/2" | 14,5 | 0,5 | 40 | 70 | ✓ | 0,72 |
| | S8813.04 | 3/4" | 17 | 0,5 | 40 | 90 | ✓ | 0,8 |
| | S8813.05 | 1" | 17 | 0,5 | 40 | 90 | ✓ | 0,98 |

STANDARDS

- Standard tube connection G (BSP) (ISO 2281) and other tube connections (NPT (ANSI 1.20.3)) are available on request
- TORK solenoid valves 97/23/EC, are available or pressure equipment directive (PED) and 2006/95/ECC low voltage directive (LVD).

Not: Please look catalogues for more details.