

Copper Tube Welded Electric Expansion Valve S6130 Series

GENERAL FEATURES

- This solenoid valve is an electrically operated expansion valve designed for refrigeration plant.
- Wide pressure range flow rate and orifis options.
- Solenoid valves are used with filters.
- Solenoid valves can be mounted in any position without affecting its operation, coil be used in a vertical position.
- Coil should be preferred in vertical up position.
- The solenoid valve consists of an automatic control element and is used in the passage of cold fluid in cooling systems, widely pressure groups, central air conditioners, cold air tanks and bus air conditioning system.
- It has its own internal filter.

ELECTRICAL CHARACTERISTICS

Continuous Duty	: ED %100
Coil Insulation Class	: H (180°C)(IEC 85) B
Coil Impregnation	: Polyester Fiber Glass
Coil Outer Body Material	: Fiber Glass Reinforced
Ambient Temperature	: -10°C, +60°C
Protection Degree	: IP68
Electric Plug Connection	: 3-poles connectors (DN 43650)
Electrical Safety	: IEC 335
Standard Voltage	: AC 230V 20 VA
Voltage Tolerance	: ±10%
On request; connector with LED	
Specify coil voltage with order.	

MATERIALS IN CONTACT WITH FLUID

Body	: Brass
Internal Parts	: Stainless Steel
Sealing	: Viton
Shading Ring	: Copper (EN 12735-1)
Seats, Core Tube, Springs	: Stainless Steel

OPTIONS

On request Atex (exproof) coil.

TECHNICAL FEATURES

Cooling	: CFC, HCFC, HFC
Refrigerants	: R744, R22/R407C, R404A/R507, R410A, R134a, R407A, R23, R407F, R422B, R422D, R448A, R449A, R449B, R450A, R452A, R513A.
Fluid Temperature	: -60°C to +160°C
Ambient Temperature	: -50°C to +50°C
Connection	: Solder



NORMALLY CLOSED

2 WAY

DIRECT ACTING



COOLING

Copper Tube Welded Electric Expansion Valve S6130 Series

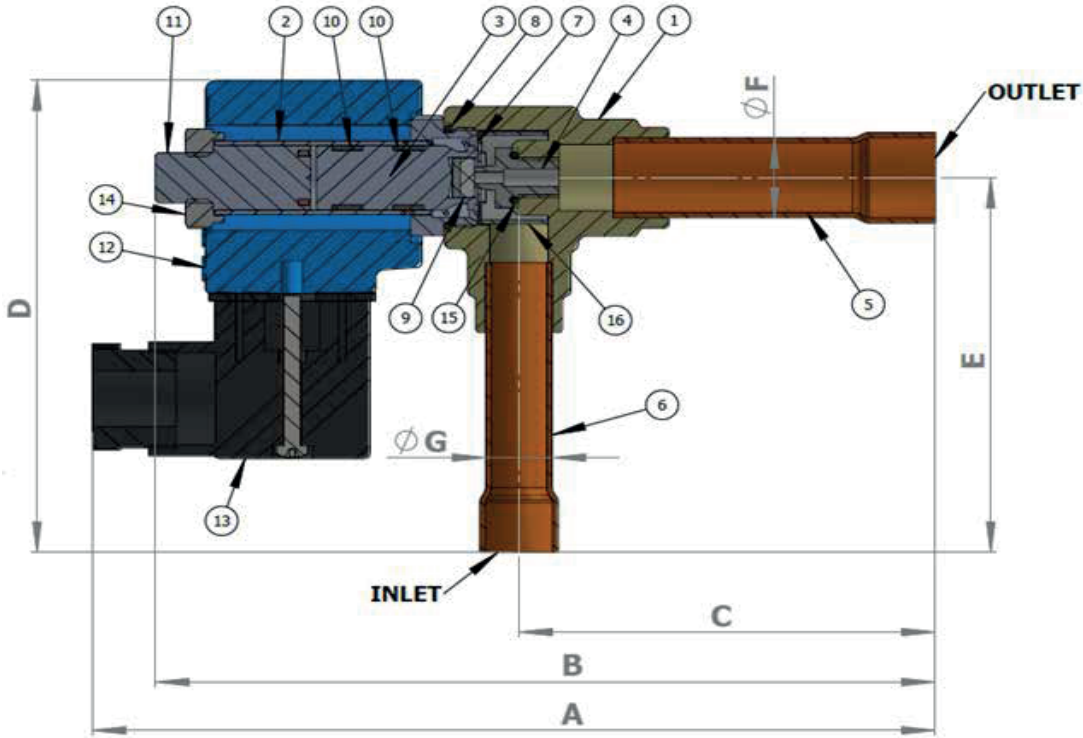
SEAL FEATURES

Viton: -60°C / +160°C

NORMALLY CLOSED

2 WAY

DIRECT ACTING



No	Part Name	Qty
1	body	1
2	core tube	1
3	core	1
4	orifice	1
5	outlet tube	1
6	inlet tube	1
7	core spring	1
8	o-ring	1
9	gasket	2
10	guiding element	1
11	fixed core	1
12	coil	1
13	socket	1
14	coil nut	1
15	o-ring	1
16	filter	1

Dimension

Product Code	A	B	C	D	E	F	G
S613002-002	152	140	75	86,5	67	12	10
S613002-001	141	131	64	83,5	64	10	10
S613003-001	152	140,5	75	94,5	75	16	12

Solenoid Valve Symbol	Valf Type / Order No	Connection Size ODF x ODF	Orifice Size	Pressure		Maximum Operation Pressure Differential MOPD	"Evaporating Temperature"	Kv	Seal	Weight
				Min	Max					
	S6170	mm	mm	bar	bar	bar	°C	m3/h	VITON	kg
	S613002-002	10x12	0,6	0	90	35	-60 to +60	0.016	✓	0,375
	S613002-001	10x10	0,8	0	28	18	-50 to +60	0.025	✓	0,375
	S613003-001	12x16	2,3	0	90	18	-60 to +60	0.185	✓	0,45

STANDARTS

- Standard tube connection G(BSP) (ISO 228-1) and other tube connections (NPT (ANSI.20.3)) are available on request.
 - TORK solenoid valves 97/23/EC, are available for pressure equipment directive(PED) and 2006/95/ECC low voltage directive (LVD).
- Note: Please look catalogues for more details.