

2/2 Way Direct Acting Normally Closed Solenoid Valves S5093 Series (G3/8", G1/2", G3/4", G1")

GENERAL FEATURES

- TORK series S2083 (NK) pilot operated solenoid valves 2/2 way
- For non-aggressive fluids (water, oil etc...) for gas fluids (air, inert gas) etc... is appropriate.
- The minimum operating differential pressure is 1 bar.
- Wide pressure range, flow rate and orifice options are available.
- TORK solenoid valves are applicable to 97/23/EC, Pressure equipment directive (PED) and 2006/95/ECC Low voltage directive (LVD).
- Solenoid valves must be used with filters.
- Solenoid valves can be mounted in any position without affecting their operation; The coil should be preferred in the vertical up position.
- Standard pipe connection G (BSP) (ISO 228-1) and other pipe on request connections (NPT (ANSI 1.20.3)) are suitable.

ELECTRICAL CHARACTERISTICS

Continuous Duty	: ED %100
Coil Insulation Class	: H (180°C)(IEC 85)
Coil Impregnation	: Polyester Fiber Glass
Ambient Temperature	: -10°C, +60°C
Protection Degree	: IP65 (ISO 60529) On request; IP68
Electric Plug Connection	: DIN 46340 3-Poles Connector (DIN43650)
Connector Specification	: ISO 4400 / EN 175301-803 Form A, Spade Plug (Cable Ø6-8 mm)
Electrical Safety	: IEC 335
Standard Voltages	: AC 12V 15VA, 24V 15VA, 48V 15VA, 110V 15VA, 230V 15VA, DC 12V 18W, 24V 18W, 48V 18W, 110V 18W

On request other voltages	
Voltages Tolerance	: AC -15%, +10% DC -5%, +10%
Frequency	: 50 Hz (60 Hz...)

On request; Connector with LED, PWM Socket Specify coil voltage with order

MATERIALS IN CONTACT WITH FLUID

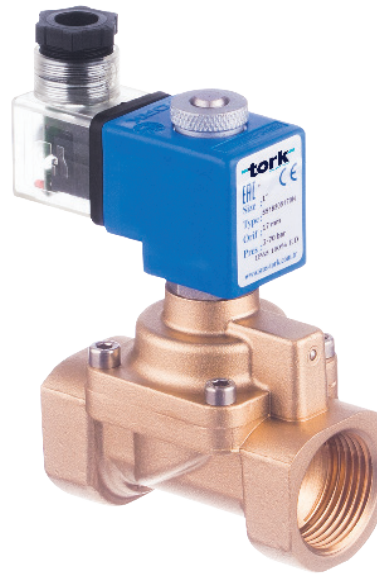
Body	: Brass
Internal Parts	: PStainless Steel, Brass
Sealing	: PTFE
Shading Ring	: Copper (EN 12735-1)
Seats, Core Tube, Springs	: Stainless Steel

TECHNICAL FEATURES

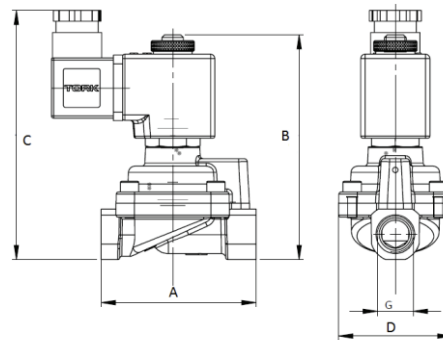
Max. Viscosity	: 5°E (~37cST or mm2/s)
Response Time	: Opening time :4000 ms ~ 1600 ms Closing Time :30 ms ~ 2000 ms

SEALING FEATURES

PTFE	: -10°C...+180°C
------	------------------



NORMALLY CLOSED
2/2 Way
DIRECT ACTING
 $\Delta P=0$



Dimensions (mm)				
G	A	B	C	D
3/8"	72	104.4	115.7	52.5
1/2"	80	105.9	117.2	52.5
3/4"	78	112.7	124	52.5
1"	85	119.2	130.5	52.5

Coils	Nominal Values	Cold/Hot	Inrush	Holding	Current (A)	Surface Temperature (°C)
C40012VDC18W	12VDC 18W	COLD	19,56	19,56	1,63	20
		HOT	14,52	14,52	1,21	106
C40024VDC18W	24VDC 18W	COLD	20,88	20,88	0,87	25
		HOT	14,64	14,64	0,61	116
C40110VDC18W	110VDC 18W	COLD	19,96	19,96	0,18	23
		HOT	13,56	13,56	0,123	115
C40012VAC15VA	12VAC 15VA	COLD	23,81	16,43	1,3	25
		HOT	-	15,86	1,262	79
C40024VAC15VA	24VAC 15VA	COLD	25,82	15,02	0,62	22
		HOT	-	13,91	0,57	81
C40110VAC15VA	110VAC 15VA	COLD	30,65	15,17	0,137	24
		HOT	-	13,96	0,126	80
C40230VAC15VA	230VAC 15VA	COLD	31,4	15,64	0,068	25
		HOT	-	14,41	0,063	80
C40230VAC15VA	230VAC 24VA	COLD	45,1	23,92	0,0154	23
		HOT	-	21,62	0,0154	100

Solenoid Valve Symbol	Valve Type/Order No	Connection Size	Orifice Size	Pressure min/max	Kv	Fluid Temperature °C	Seal	Weight	Temperature		
	S2083	G	mm	Bar	Bar	l/min	min	max	kg	°C	
	S5093.02	3/8"	12.5	1	40	48	-10	+180	PTFE	0.75	180
	S5093.03	1/2"	14.5	1	40	70	-10	+180	PTFE	0.8	180
	S5093.04	3/4"	17	1	40	90	-10	+180	PTFE	0.9	180
	S5093.05	1"	17	1	40	90	-10	+180	PTFE	1	180

Not: Please look catalogues for more details.

STANDARDS

- Standard tube connection G (BSP) (ISO 228-1) and other tube connections (NPT (ANSI 1.20.3)) are available on request.
- TORK solenoid valves 97/23/EC, are available for pressure equipment directive (PED) and 2006/95/ECC low voltage directive (LVD).