

Compressor Solenoid Valve S5077 Series Plate Type

GENERAL FEATURES

- TORK serie S5077 solenoid valves are 3/2 way direct acting
- High reliability, quality and performance; long life, corrosion resistance.
- TORK solenoid valves satisfy relevant 97 /23/EC, Pressure Equipment Directive (PED) and 2006/95/EEC Low Voltage Directive (LVD)
- Coils interchangeable.
- Flow factor Kv of the valve is indicated, so that the flow Q can be calculated as a function of pressure.
- Solenoid valves must be used with filtered fluids.
- Solenoid valve can be mounted in any position without affecting operation; vertical with coil upwards preferred.
- Standard pipe connection is G (BSP) (ISO 228-1) and other pipe connections
- Aluminum alloy or brass plate is optional.

ELECTRICAL CHARACTERISTICS

Continuous Duty	: ED %100
Coil Insulation Class	: H (180°C)(IEC 85) B
Coil Impregnation	: Polyester Fiber Glass
Coil Outer Body Material	: Fiber Glass Reinforced
Ambient Temperature	: -10°C, +60°C
Protection Degree	: IP65 (on request IP68)
Electric Plug Connection	: DiN 46340 3-poles connectors (DiN 43650)
Terminal	: (Cable Ø6-8 mm)
Electrical Safety	: IEC 335
Standard Voltages	: DC 24V, 48V, 72V
Voltages Tolerance	: For DC -5%; + 10%

On request; Connector with LED, Specify coil voltage with order.

MATERIALS IN CONTACT WITH FLUID

Body	: Brass
Internal Parts	: Stainless Steel
Sealing	: PTFE + NBR

TECHNICAL FEATURES

Max. Viscosity	: 5°E (-37 cSt or mm ² /s)
Response Time	: Opening & Closing Time 30 ms
Maximum Allowable Pressure	: 40 bar
Fluid Temperature	: -10°C to +80°C

NORMALLY CLOSED

3 WAY

DIRECT ACTING

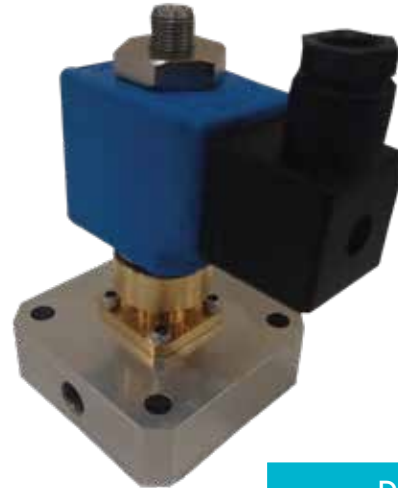
ΔP=0



AIR

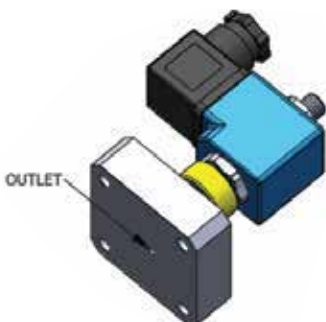
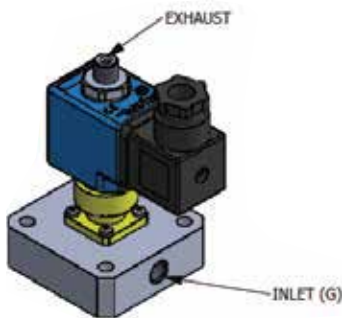
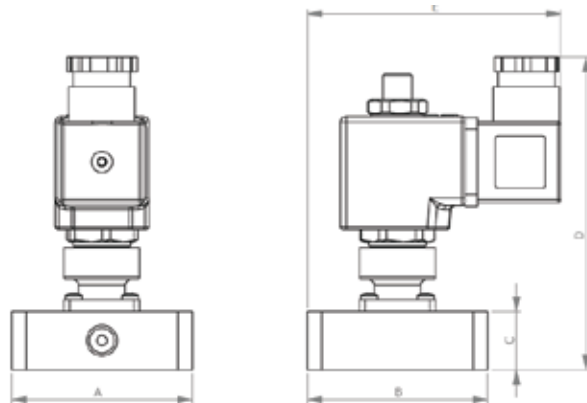


GAS



Dimensions (mm)

G	A	B	C	D	E
1/4"	62	62	20	103	84



Coils	Nominal Values	Cold/Hot	Inrush (W)	Holding (W)	Current (A)	Surface Temperature (°C)
C40024VDC18W	24VDC 18W	COLD	19,56	19,56	1,63	20
		HOT	14,52	14,52	1,21	106
C40048VDC18W	48VDC 18W	COLD	19,6	19,6	0,408	20
		HOT	14,06	14,06	0,293	119
C40072VDC18W	72VDC 18W	COLD	17,65	17,65	0,245	20
		HOT	14,2	14,2	0,179	120

Solenoid Valve Symbol	Valf Type / Order No	Connection Size	Orifice Size	Pressure		Kv	Seal	Base Plate		Weight (kg)	
				min	max			Optional		with Aluminum Base Plate	with Brass Base Plate
	S5077010T	1/4"	1	0	40	0,5	PTFE + NBR	✓	✓	0,35	0,42