

Compressor Solenoid Valve S5073 Series

GENERAL FEATURES

- Wide pressure range, flow rate and orifis options.
 - Solenoid valves are used with filters.
 - Solenoid valves can be mounted in any position without affecting its operation.
 - Coil to be used in a vertical position.
 - TORK series S5073 direct acting plate mounting compressor solenoid valves are 2/2 way, normally closed and have small body size.
 - Low coil power (DC 5,5 AC 7,2-8,5 VA)
 - Manual override or without manual override, for small body (1/8" and 1/4"), square type body and easy installation
- Working temperature: -10°C / + 160°C

ELECTRICAL CHARACTERISTICS

Continuous Duty	: ED %100
Coil Insulation Class	: H (180°C)(IEC 85)
Coil Impregnation	: Polyester Fiber Glass
Ambient Temperature	: -10°C, +60°C
Protection Degree	: IP65 (ISO 60529) On request; IP68
Electric Plug Connection	: DIN 46340 3-Poles Connector (DIN 43650)
Connector Specification	: ISO 4400 / EN 175301-803 Form A, Spade Plug (Cable Ø6-8 mm)
Electrical Safety	: IEC 335
Standard Voltages	: AC 12V 15VA, 24V 15VA, 48V 15VA, 230V 15VA, 230V 24VA DC 12V 18W, 24V 18W, 48V 18W, 110V 18W

On request other voltages

Voltages Tolerance	: AC -15%, +10% DC -5%, +10%
Frequency	: 50 Hz (60 Hz..)

On request; Connector with LED, PWM Socket Specify coil voltage with order

MATERIALS IN CONTACT WITH FLUID

Body	: Brass
Internal Parts	: Stainless Steel
Sealing	: VITON
Shading Ring	: Copper (EN 12735-1)
Seats, Core Tube, Springs	: Stainless Steel

OPTIONS

- Female connection: BSP; (On request NPT)
- On request CR-Ni plated, PTFE coated done
- On request Atex (exproof) coil.

TECHNICAL FEATURES

Max. Viscosity	: 5°E (-37cST veya mm ² /s)
Response Time	: Opening time : 400 - 1600 ms Closing Time : 1000 - 2000 ms

SEALS FEATURES

NBR	: -10°C...+80°C
EPDM	: -10°C...+130°C
VITON	: -10°C...+160°C
PTFE	: -10°C...+160°C
RUBY	: -10°C...+160°C

STANDARDS

- Standard tube connection G (BSP) (ISO 228-1) and other tube connections (NPT (ANSI 1.20.3)) are available on request.
- TORK solenoid valves 97/23/EC, are available for pressure equipment directive (PED) and 2006/95/ECC low voltage directive (LVD).

Not: Please look catalogues for more details



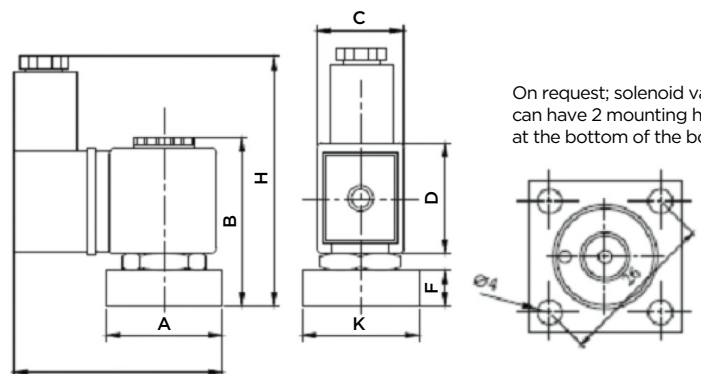
NORMALLY CLOSED

DIRECT ACTING

ΔP=0



COMPRESSOR



On request; solenoid valve can have 2 mounting holes at the bottom of the body.

Dimensions (mm)

A	B	C	D	E	F	H	K
25	52	22	29.5	61	6	68	25

Solenoid Valve Symbol	Valve Type/ Order No	Connection Size	Orifice Size	Pressure min/max	Kv	Seal	Weight
	S5073	G	mm	Bar Bar	l/min	VITON	kg
	S5073.018		1.8	0 12	1.6	✓	0.27

Low Bobbin Pressure Solenoid Valve S5074 Series

GENERAL FEATURES

- Wide pressure range, flow rate and orifis options.
- Solenoid valvs are used with filters.
- Solenoid valves can be mounted in any position without affecting its operation, coil to be used in a vertical position.
- No pressure difference is required.

ELECTRICAL CHARACTERISTICS

Continuous Duty	: ED %100
Coil Insulation Class	: H (180°C)(IEC 85)
Coil Impregnation	: Polyester Fiber Glass
Ambient Temperature	: -10°C, +60°C
Protection Degree	: IP65 (ISO 60529) On request; IP68
Electric Plug Connection	: DIN 46340 3-Poles Connector (DIN 43650)
Electrical Safety	: IEC 335
Standard Voltages	: AC 7,1 VA 12V, 24V, 48V, 110V, 230V, 230V DC 5W 12V, 24V, 48V, 110V
Voltages Tolerance	: AC -15%, +10% DC -5%, +10%
Frequency	: 50 Hz (60 Hz...)
On request; Connector with LED.	
Specify coil voltage with order.	

MATERIALS IN CONTACT WITH FLUID

Body	: Brass
Internal Parts	: Stainless Steel,
Sealing	: VITON
Shading Ring	: Copper (EN 12735-1)
Seats, Core Tube, Springs	: Stainless Steel

OPTIONS

- Female connection: On request CR-Ni coating.
- On request PTFE coating.
- On request Atex (exproof) coil.

TECHNICAL FEATURES

Max. Viscosity	: 5°E (-37cST veya mm ² /s)
Response Time	: Opening time : 30 ms Closing Time : 30 ms

SEALS FEATURES

NBR	: -10°C...+80°C
EPDM	: -10°C...+130°C
VITON	: -10°C...+160°C
PTFE	: -10°C...+160°C
RUBY	: -10°C...+160°C



NORMALLY CLOSED

3 WAY

DIRECT ACTING

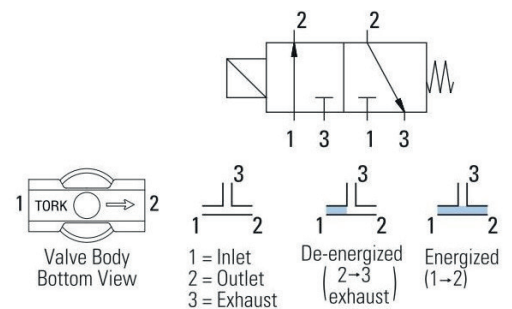
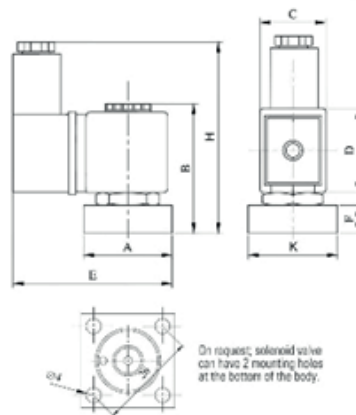
ΔP=0



FLUID



OIL



Dimensions (mm)							
A	B	C	D	E	F	H	K
25	52	22	29,5	61	6	68	25

Not: Please look catalogues for more details.

STANDARDS

- Standard tube connection G (BSP) (ISO 228-1) and other tube connections (NPT (ANSI 1.20.3)) are available on request.
- TORK solenoid valves 97/23/EC, are available for pressure equipment directive (PED) and 2006/95/ECC low voltage directive (LVD).

Solenoid Valve Symbol	Valve Type/ Order No	Connection Size	Orifis Size	Pressure min/max		Kv	Seal	Weight
	S5074	G	mm	Bar	Bar	l/min	Viton	kg
	S5074.018	*	1.8	0	6	1-2=1,35, 2-3=1,35	✓	0,27
	S5074.010	*	1	0	10	1-2=0,5, 2-3=0,5	✓	0,27