

## High Temperature Steam Solenoid Valve S2092 Series (G3/8", G1/2") Nickel Plated

### GENERAL FEATURES

- Wide pressure range, flow rate and orific options.
- Solenoid valves are used with filters.
- Solenoid valves can be mounted in any position without affecting its operation; Coil to be used in a vertical position.
- Especially for overheated water and steam
- With the cooling neck, the effect of the fluid's temperature on the coil is reduced
- Suitable for liquids and gaseous fluids
- Do not require any differential pressure

### ELECTRICAL CHARACTERISTICS

|                          |  |
|--------------------------|--|
| Continuous Duty          | : ED %100  |
| Coil Insulation Class    | : H (180°C)(IEC 85)  |
| Coil Impregnation        | : Polyester Fiber Glass  |
| Ambient Temperature      | : -10°C, +60°C   |
| Protection Degree        | : IP65 (ISO 60529) On request; IP68  |
| Electric Plug Connection | : DIN 46340 3-Poles Connector (DIN 43650)  |
| Connector Specification  | : ISO 4400 / EN 175301-803 Form A,<br>Spade Plug (Cable Ø6-8 mm)                                     |
| Electrical Safety        | : IEC 335  |
| Standard Voltages        | : AC 12V 15VA, 24V 15VA, 48V 15VA,<br>230V 15VA, 230V 24VA<br>DC 12V 18W, 24V 18W, 48V 18W, 110V 18W |

On request other voltages

|                    |                              |
|--------------------|------------------------------|
| Voltages Tolerance | : AC -15%, +10% DC -5%, +10% |
| Frequency          | : 50 Hz (60 Hz...)           |

On request; Connector with LED, PWM Socket Specify coil voltage with order

### MATERIALS IN CONTACT WITH FLUID

|                            |                         |
|----------------------------|-------------------------|
| Body                       | : Brass                 |
| Internal Parts             | : Stainless Steel       |
| Sealing                    | : VITON on request EPDM |
| Shading Ring               | : Copper (EN 12735-1)   |
| Seats, Core Tube, Springs: | Stainless Steel         |

### OPTIONS

- Female connection: BSP; (On request NPT)
- On request Atex (exproof) coil.

### TECHNICAL FEATURES

|                |  |
|----------------|--|
| Max. Viscosity | : 5°E (-37cST veya mm <sup>2</sup> /s)         |
| Response Time  | : Opening time : 30 ms<br>Closing Time : 30 ms |

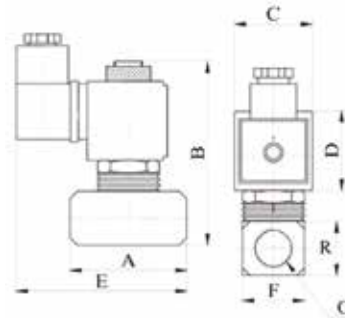
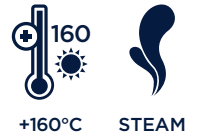


NORMALLY CLOSED

2 WAY

DIRECT ACTING

ΔP=0



Dimensions (mm)

| G    | A  | B  | C  | D    | E    | F  | G  |
|------|----|----|----|------|------|----|----|
| 3/8" | 50 | 87 | 32 | 38,9 | 79,5 | 25 | 25 |
| 1/2" | 50 | 87 | 32 | 38,9 | 79,5 | 25 | 25 |

| Coils         | Nominal Values | Cold/ Hot | Inrush | Holding | Current (A) | Surface Temperature (°C) |
|---------------|----------------|-----------|--------|---------|-------------|--------------------------|
| C40012VDC18W  | 12VDC 18W      | COLD      | 19,56  | 19,56   | 1,63        | 20                       |
|               |                | HOT       | 14,52  | 14,52   | 1,21        | 106                      |
| C40024VDC18W  | 24VDC 18W      | COLD      | 20,88  | 20,88   | 0,87        | 25                       |
|               |                | HOT       | 14,64  | 14,64   | 0,61        | 116                      |
| C40110VDC18W  | 110VDC 18W     | COLD      | 19,96  | 19,96   | 0,18        | 23                       |
|               |                | HOT       | 13,56  | 13,56   | 0,123       | 115                      |
| C40012VAC15VA | 12VAC 15VA     | COLD      | 23,81  | 16,43   | 1,3         | 25                       |
|               |                | HOT       | -      | 15,86   | 1,262       | 79                       |
| C40024VAC15VA | 24VAC 15VA     | COLD      | 25,82  | 15,02   | 0,62        | 22                       |
|               |                | HOT       | -      | 13,91   | 0,57        | 81                       |
| C40110VAC15VA | 110VAC 15VA    | COLD      | 30,65  | 15,17   | 0,137       | 24                       |
|               |                | HOT       | -      | 13,96   | 0,126       | 80                       |
| C40230VAC15VA | 230VAC 15VA    | COLD      | 31,4   | 15,64   | 0,068       | 25                       |
|               |                | HOT       | -      | 14,41   | 0,063       | 80                       |
| C40230VAC24VA | 230VAC 24VA    | COLD      | 45,1   | 23,92   | 0,0154      | 23                       |
|               |                | HOT       | -      | 21,62   | 0,0154      | 100                      |

| Solenoid Valve Symbol | Valve Type/ Order No | Connection Size | Orifice Size | Pressure min/max |     | Kv    | Seal  | Weight | Temperature |     |
|-----------------------|----------------------|-----------------|--------------|------------------|-----|-------|-------|--------|-------------|-----|
|                       |                      |                 |              | Bar              | Bar |       |       |        |             |     |
|                       | S2092                | G               | mm           | Bar              | Bar | l/min | Viton | kg     | °C          |     |
|                       | S2092.01.025         | 3/8"            | 2.5          | 0                | 6   | 3.2   | ✓     | ✓      | 0,56        | 140 |
|                       | S2092.03.025         | 1/2"            | 2.5          | 0                | 6   | 3.2   | ✓     | ✓      | 0,53        | 140 |
|                       | S2092.03.040         | 1/2"            | 4            | 0                | 6   | 6.4   | ✓     | ✓      | 0,52        | 140 |

Not: Please look catalogues for more details.

### STANDARDS

- Standard tube connection G (BSP) (ISO 228-1) and other tube connections (NPT (ANSI 1.20.3)) are available on request.

- TORK solenoid valves 97/23/EC, are available for pressure equipment directive (PED) and 2006/95/ECC low voltage directive (LVD).