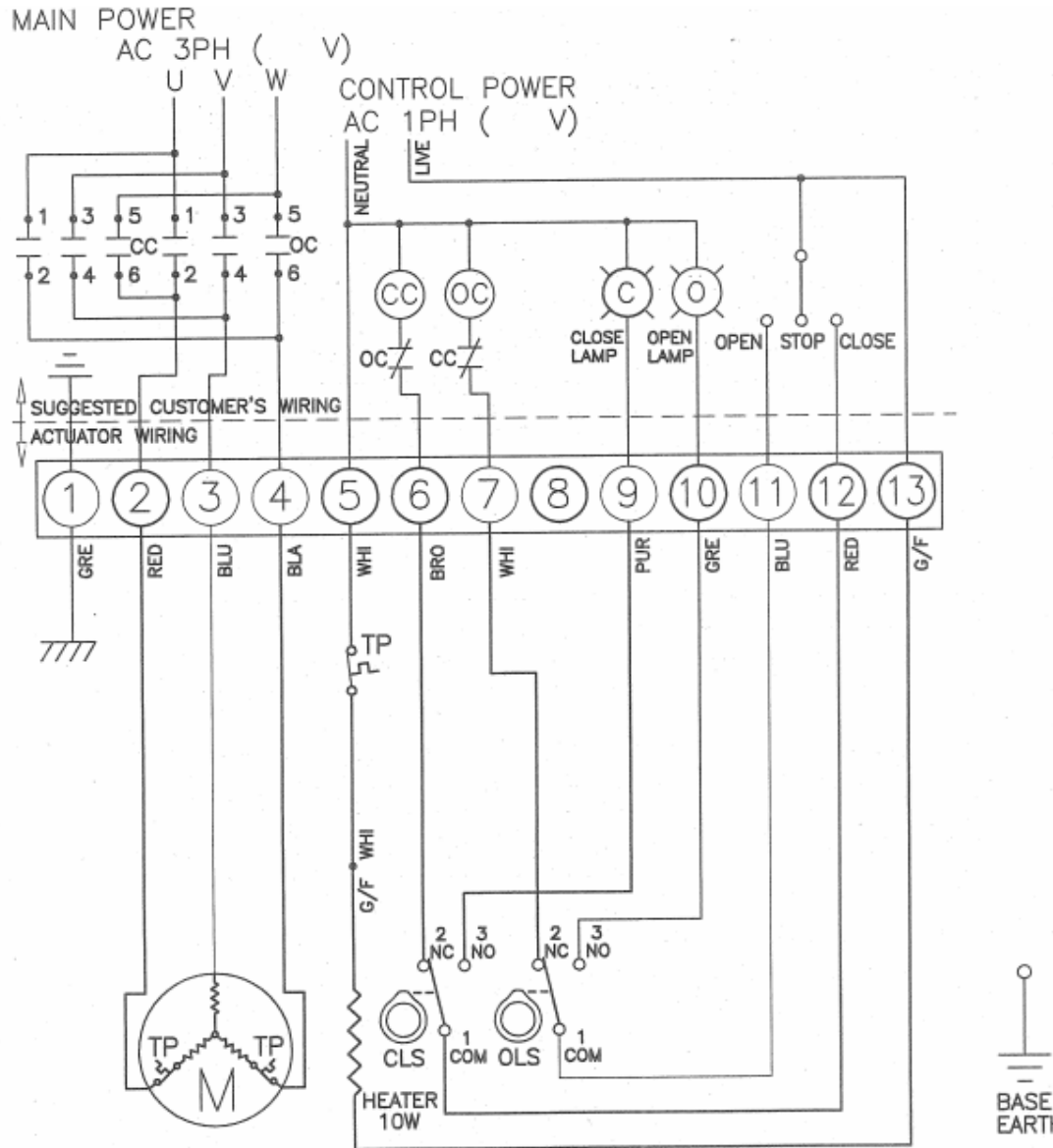


REA80-100 3PH AC ELECTRIC ACTUATOR WIRING DIAGRAM



SYMBOL	DESCRIPTION	RATING
CLS	Close Limit Switch	250V AC 10A
OLS	Open Limit Switch	250V AC 10A
ACLS	Aux. Close Limit Switch	250V AC 16A
AOLS	Aux. Open Limit Switch	250V AC 16A
TP	Thermal Protector	250V AC 15A
CC	Close Magnetic Coil	
OC	Open Magnetic Coil	

WARNING

Each other should be powered through its own individual switch on relay contacts o prevent cross feed between two or more actuators.

REA 80		DWG NO:
REA 100		
		DEP: R&D
380V AC	DATE:	
	10.09.2016	

SMS Sanayi Malzemeleri Satışı ve Üretim A.Ş