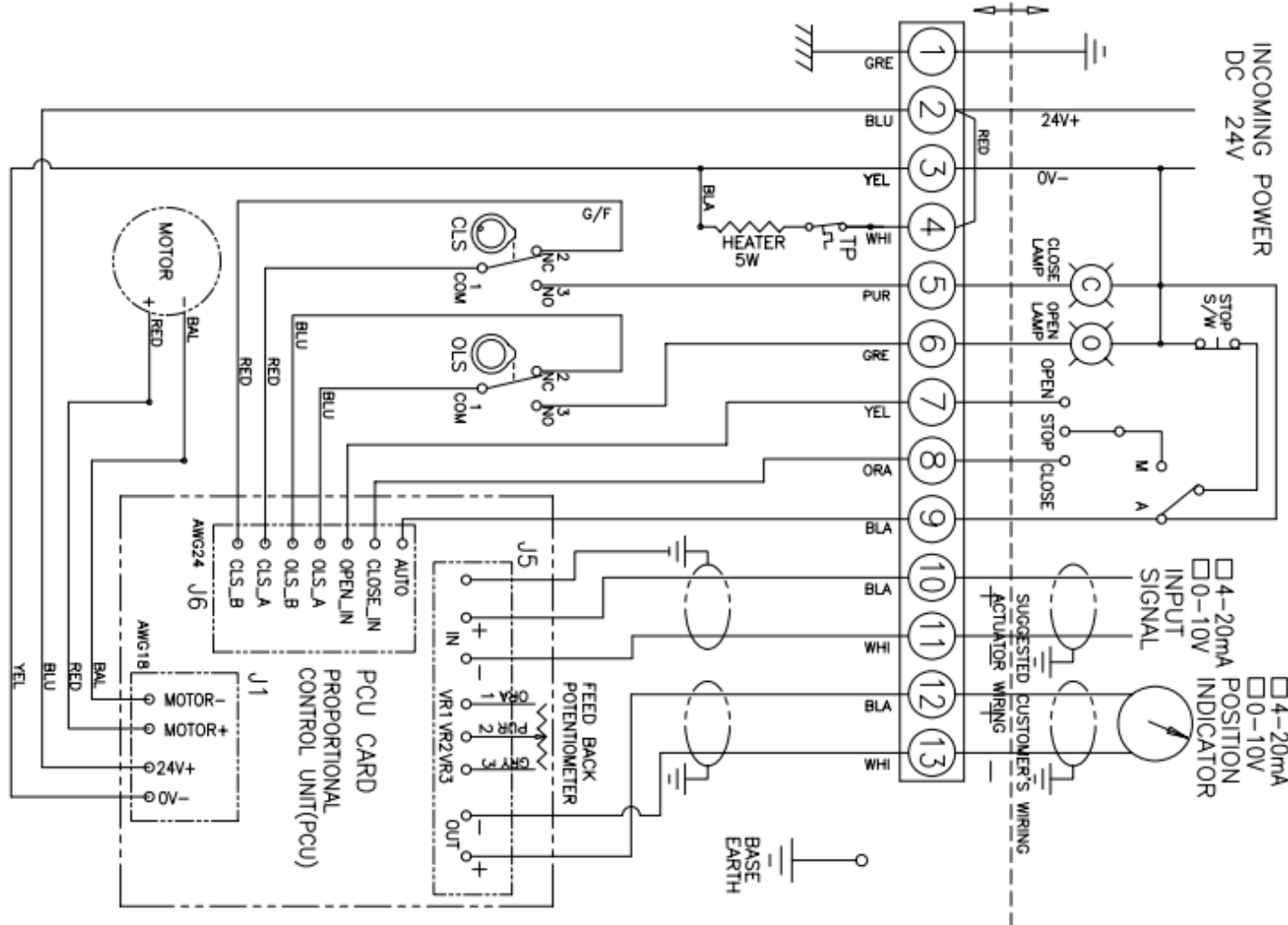


## REA80-100 24 VDC PROPORTIONAL ELECTRIC ACTUATOR WIRING DIAGRAM



SYMBOL	DESCRIPTION	RATING
CLS	Close Limit Switch	250V AC 10A
OLS	Open Limit Switch	250V AC 10A
TP	Thermal Protector	250V AC 15A

### WARNING

Each other should be powered through its own individual switch on relay contacts o prevent cross feed between two or more actuators.

REA 80		<b>DWG NO:</b>
REA 100		<b>DEP: R&amp;D</b>
		<b>DATE:</b>
		10.09.2016

**SMS Sanayi Malzemeleri Satış ve Üretim A.Ş**