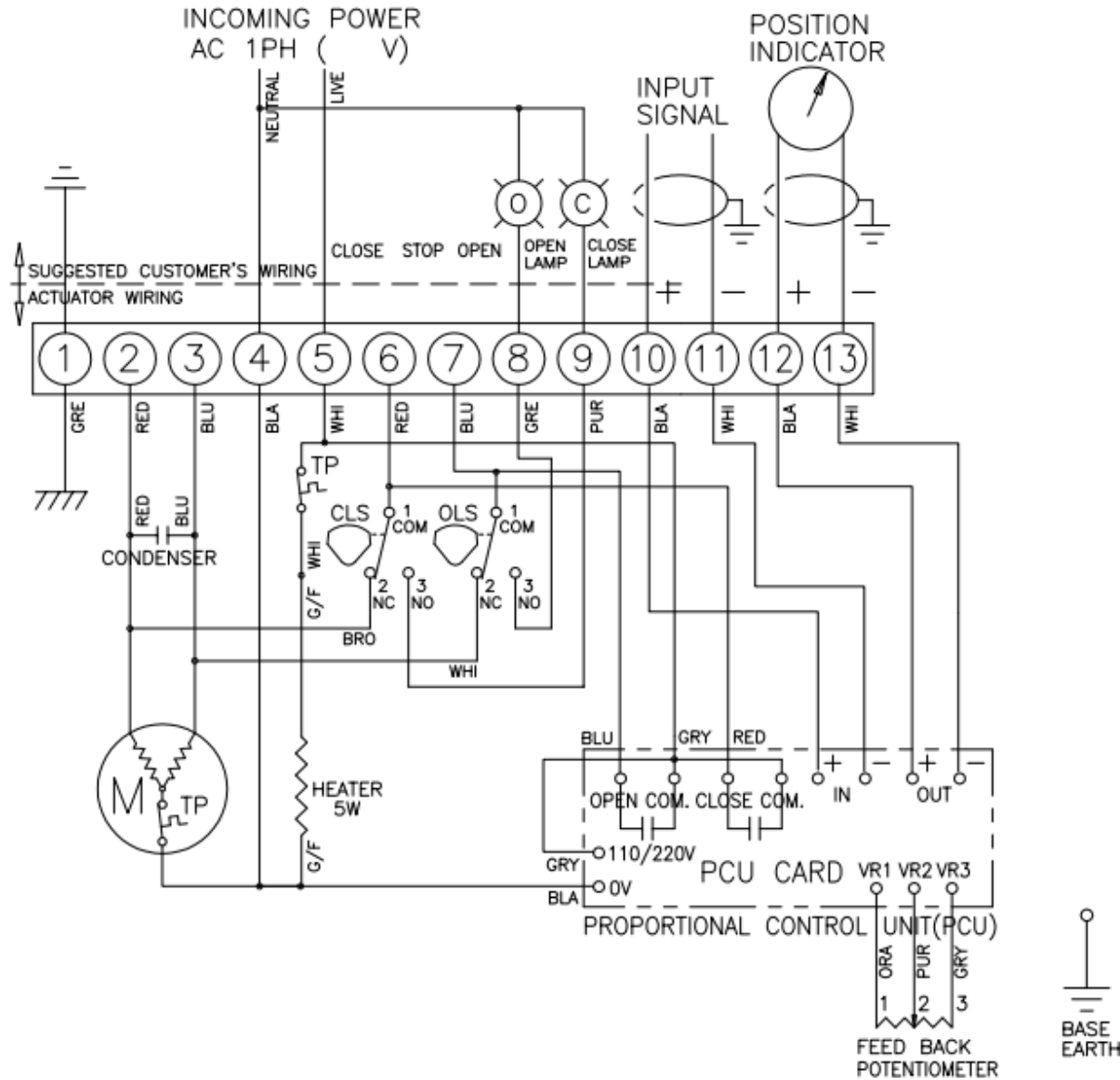


REA80-100 230V AC PROPORTIONAL ELECTRIC ACTUATOR WIRING DIAGRAM



SYMBOL	DESCRIPTION	RATING
CLS	Close Limit Switch	250V AC 10A
OLS	Open Limit Switch	250V AC 10A
TP	Thermal Protector	250V AC 15A

WARNING
Each other should be powered through its own individual switch on relay contacts o prevent cross feed between two or more actuators.

REA 80	DWG NO:
REA 100	
	DEP: R&D
230V AC	DATE: 10.09.2016

SMS Sanayi Malzemeleri Satışı ve Üretim A.Ş