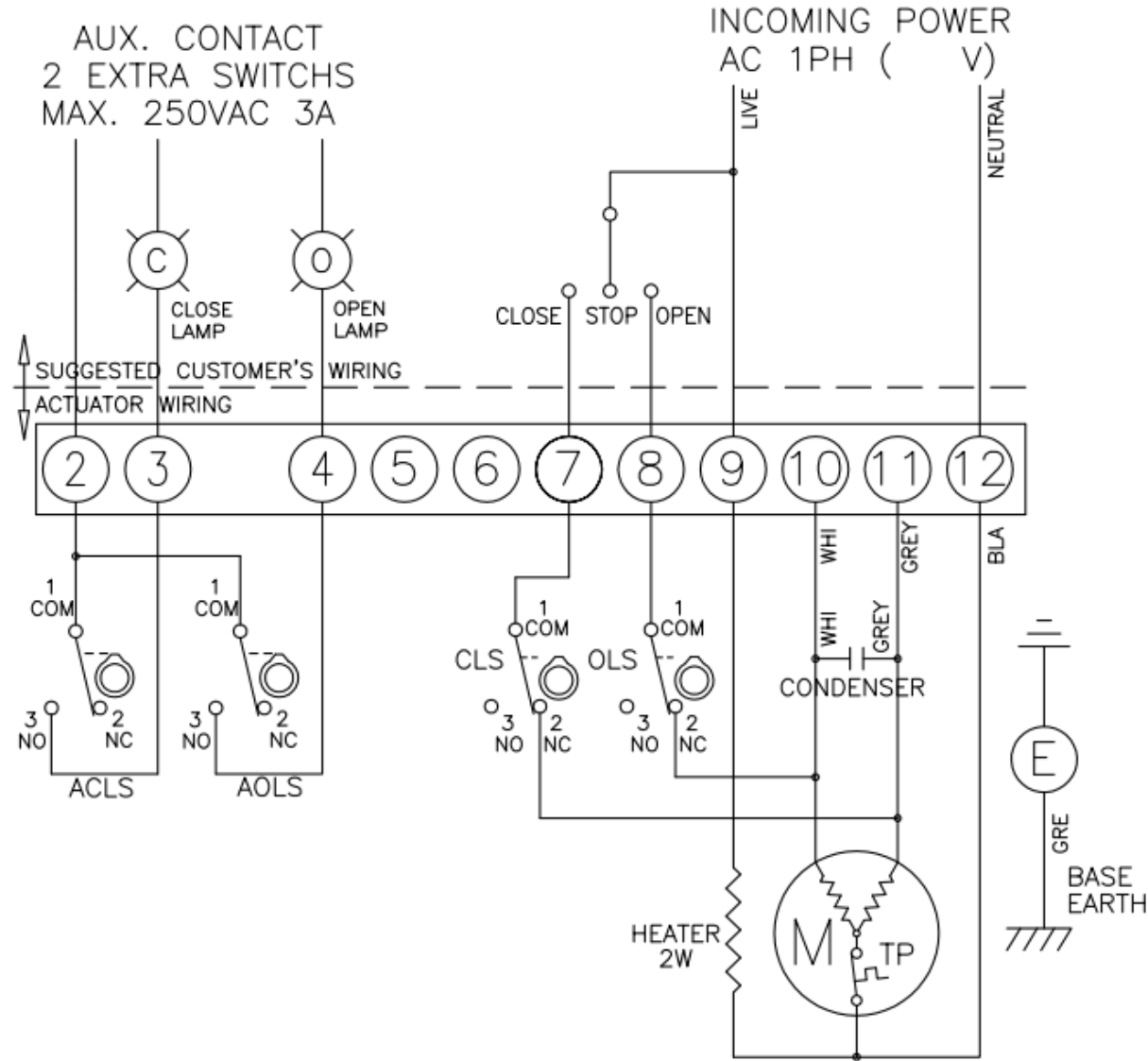


REA60 230V AC ELECTRIC ACTUATOR WIRING DIAGRAM



SYMBOL	DESCRIPTION	RATING
CLS	Close Limit Switch	250V AC 5A
OLS	Open Limit Switch	250V AC 5A
ACLS	Aux. Close Limit Switch	250V AC 5A
AOLS	Aux. Open Limit Switch	250V AC 5A
TP	Thermal Protector	250V AC 15A

WARNING
Each other should be powered through its own individual switch on relay contacts o prevent cross feed between two or more actuators.

REA 60	DWG NO:	
	DEP: R&D	
230V AC	DATE:	
	10.09.2016	

SMS Sanayi Malzemeleri Satışı ve Üretim A.Ş