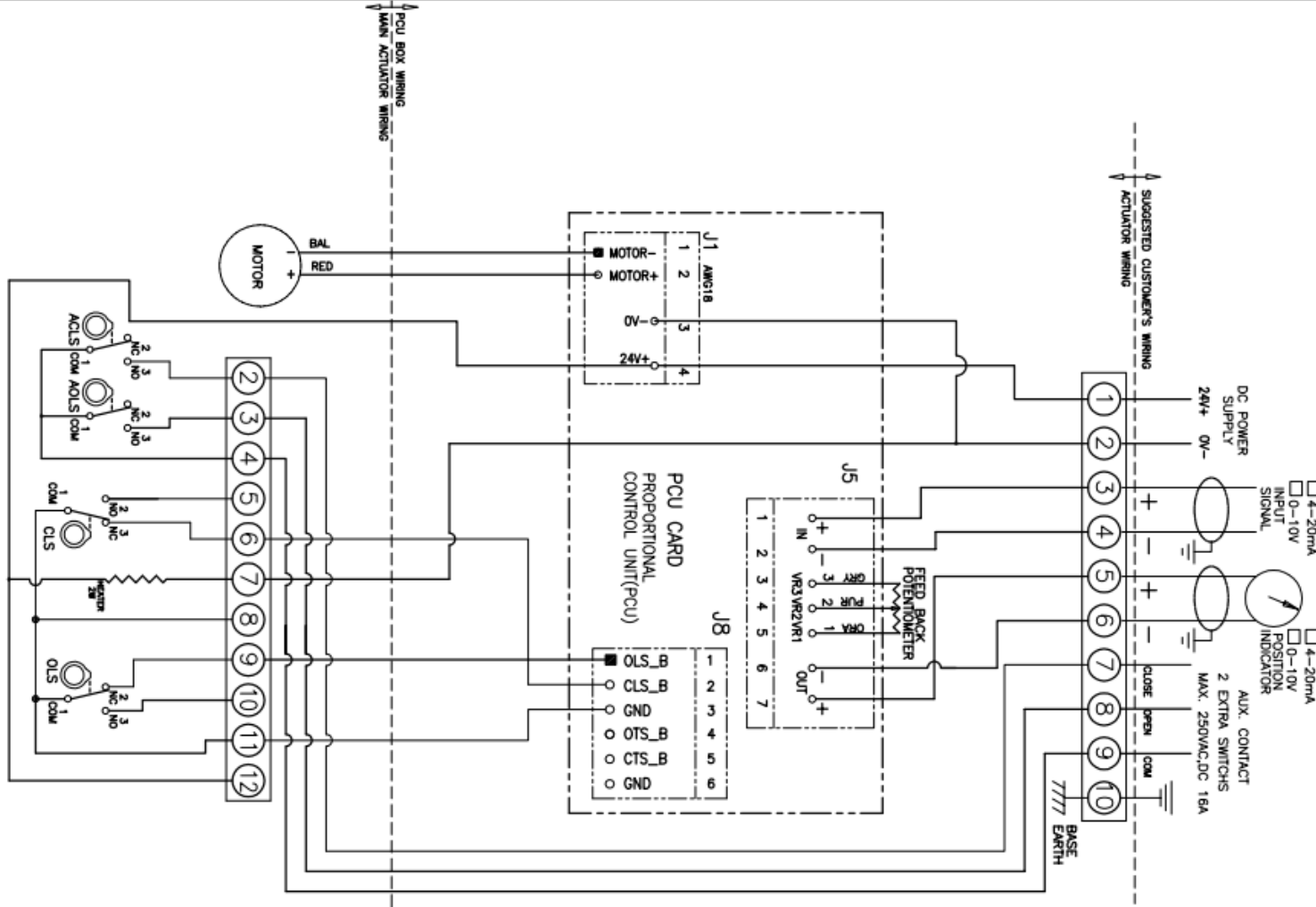


### REA60 24V DC PROPORTIONAL ELECTRIC ACTUATOR WIRING DIAGRAM



SYMBOL	DESCRIPTION	RATING
CLS	Close Limit Switch	250V AC 5A
OLS	Open Limit Switch	250V AC 5A
ACLS	Aux. Close Limit Switch	250V AC 5A
AOLS	Aux. Open Limit Switch	250V AC 5A

**WARNING**  
Each other should be powered through its own individual switch on relay contacts o prevent cross feed between two or more actuators.

REA 60	DWG NO:	
	DEP: R&D	
24V DC	DATE:	10.09.2016

**SMS Sanayi Malzemeleri Satışı ve Üretim A.Ş**