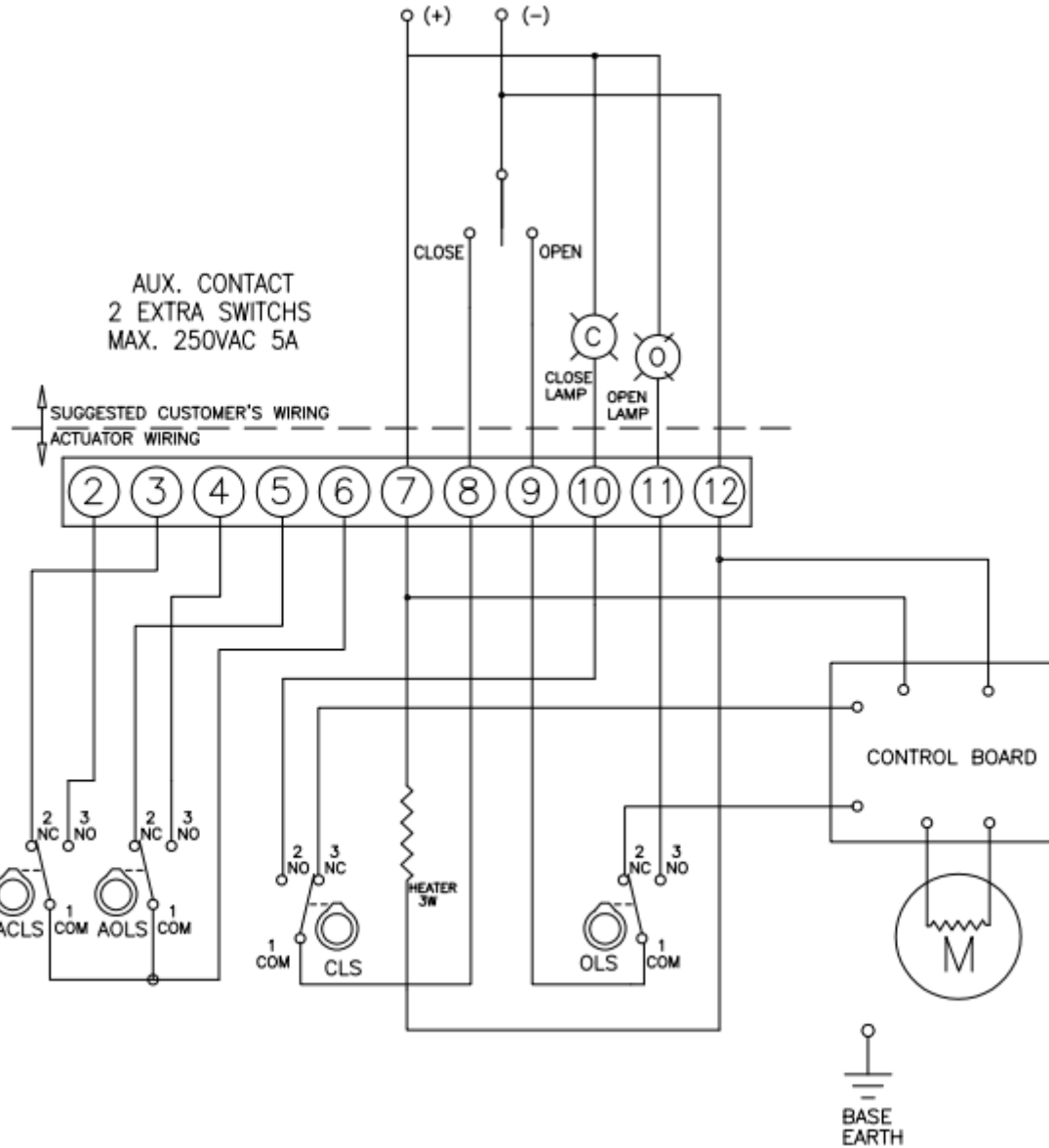


REA60 24V AC/DC MULTIBOARD ELECTRIC AKTUATOR WIRING DIAGRAM



SYMBOL	DESCRIPTION	RATING
CLS	Close Limit Switch	250V AC 5A
OLS	Open Limit Switch	250V AC 5A
ACLS	Aux. Close Limit Switch	250V AC 5A
AOLS	Aux. Open Limit Switch	250V AC 5A

WARNING

In connection, AC / DC DIP Switch settings should be observed as follows.



REA 60	DWG NO:
	DEP: R&D
24V AC/DC	DATE: 10.09.2016

SMS Sanayi Malzemeleri Satışı ve Üretim A.Ş