

Features

- The RA4, RA6, RA8 and RAX series of bursting discs are complementary designs to cover the majority of bursting disc applications
- Low burst pressures are available with unscored designs to eliminate possible source of stress / corrosion / leakage and allow high cycle life
- Discs will withstand full vacuum conditions as standard
- Resistant to product buildup, smooth unscored convex side of dome is presented to process medium
- Non fragmenting design
- Operates up to 90% of the disc minimum rated burst pressure
- Wide range of standard and exotic materials available
- Additional TFE corrosion protection linings available
- RA4, RA6, RA8 may be used in liquid or gas applications
- RAX gas service only, for this disc a gas pocket is required for liquid applications
- Three dimensional stainless steel disc tag with full disc specification permanently engraved
- The RA series of discs are all designed to be used in the NEW PRE TORQUEABLE RAH type holder



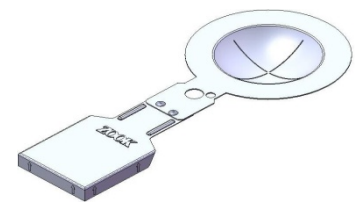
RA4
Ultra Low Pressure



RA6
Low Pressure

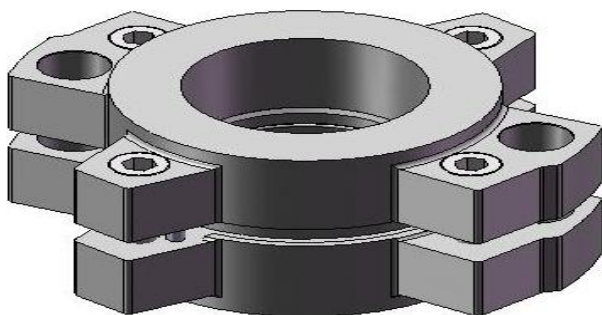


RA8
Medium Pressure

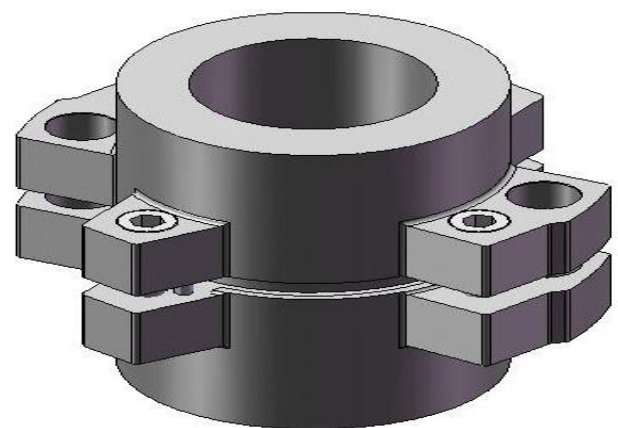


RAX
High Pressure

NEW RAH Pre-Torque Disc Holders



Standard RAH pre-torque Disc Holder



Long Pattern RAH pre-torque Disc Holder

- NEW RAH Pre Torque holder design allows disc and holder to be pre-assembled
- Disc and holder assembly can be removed complete for inspection of the disc
- Flexible system fits most pipework types, available in custom heights to suit most installations
- Bubble tight metal to metal bite ring seal even for low strength flanges – ideal for glass or plastic flanges
- See RAH holder datasheet for more details

RA SERIES MIN/MAX BURST RATINGS

RA4 Disc Size	Minimum Burst Pressures (Barg @ 22°C)									Maximum Burst Pressure		MNFA (cm ²)
	With Liner RA4-L	316ss		Inconel		Monel		Nickel		Liquid	Gas	
		Liquid	Gas	Liquid	Gas	Liquid	Gas	Liquid	Gas			
1" / 25mm	1.24	0.90	0.90							2.76	2.76	5.55
1 ½" / 40mm	0.97	0.62	0.62							1.72	1.72	10.52
2" / 50mm	0.55	0.41	0.41							1.72	1.72	17.94
3" / 80mm	0.48	0.28	0.28							1.72	1.72	36.71
4" / 100mm	0.34	0.21	0.21							1.38	1.38	61.35
6" / 150mm	0.21	0.14	0.14							1.24	1.24	125.55
8" / 200mm	0.21	0.14	0.14							1.24	1.24	214.97
10" / 250mm	0.21	0.14	0.14							0.97	0.97	327.61
12" / 300mm	0.21	0.14	0.14							0.97	0.97	463.16

RA6 Disc Size	Minimum Burst Pressures (Barg @ 22°C)									Maximum Burst Pressure		MNFA (cm ²)	
	With Liner RA6-L	316ss		Inconel		Monel		Nickel		Liquid	Gas		
		Liquid	Gas	Liquid	Gas	Liquid	Gas	Liquid	Gas				
1" / 25mm	2.34	1.79	1.79	1.79	1.79	1.79	1.79	1.79	1.79	1.79	13.79	9.93	5.55
1 ½" / 40mm	1.38	1.52	1.52	1.38	1.38	1.38	1.38	1.38	1.38	1.38	11.52	8.28	12.90
2" / 50mm	1.24	1.38	1.38	1.24	1.24	1.24	1.24	1.24	1.24	1.24	8.14	6.90	21.68
3" / 80mm	1.10	1.24	1.24	1.10	1.10	1.10	1.10	1.10	1.10	1.10	4.69	4.48	46.77
4" / 100mm	0.97	1.10	1.10	0.97	0.97	0.97	0.97	0.97	0.97	0.97	4.76	3.79	80.84
6" / 150mm	0.83	0.97	0.97	0.83	0.83	0.83	0.83	0.83	0.83	0.83	4.62	3.10	171.55
8" / 200mm	0.83	0.83	0.83	0.83	0.83	0.83	0.83	0.83	0.83	0.83	3.72	2.41	293.42
10" / 250mm	0.83	0.83	0.83	0.83	0.83	0.83	0.83	0.83	0.83	0.83	3.17	2.07	453.22
12" / 300mm	0.83	0.83	0.83	0.83	0.83	0.83	0.83	0.83	0.83	0.83	2.62	1.79	634.39

RA8 Disc Size	Minimum Burst Pressures (Barg @ 22°C)									Maximum Burst Pressure		MNFA (cm ²)	
	With Liner RA8-L	316ss		Inconel		Monel		Nickel		Liquid	Gas		
		Liquid	Gas	Liquid	Gas	Liquid	Gas	Liquid	Gas				
1" / 25mm	9.93	13.79	9.93	13.79	9.93	13.79	9.93	13.79	9.93	9.93	68.97	49.66	5.55
1 ½" / 40mm	8.28	11.52	8.28	11.52	8.28	11.52	8.28	11.52	8.28	8.28	68.97	49.66	12.90
2" / 50mm	6.90	8.14	6.90	8.14	6.90	8.14	6.90	8.14	6.90	6.90	58.62	49.66	21.68
3" / 80mm	4.48	4.69	4.48	4.69	4.48	4.69	4.48	4.69	4.48	4.48	29.31	19.66	46.77
4" / 100mm	3.79	4.76	3.79	4.76	3.79	4.76	3.79	4.76	3.79	3.79	29.31	19.66	80.84
6" / 150mm	3.10	4.62	3.10	4.62	3.10	4.62	3.10	4.62	3.10	3.10	24.14	15.52	171.55
8" / 200mm	2.41	3.72	2.41	3.72	2.41	3.72	2.41	3.72	2.41	2.41	20.69	12.41	293.42
10" / 250mm	2.07	3.17	2.07	3.17	2.07	3.17	2.07	3.17	2.07	2.07	10.34	6.90	454.97
12" / 300mm	1.79	2.62	1.79	2.62	1.79	2.62	1.79	2.62	1.79	1.79	7.59	5.17	634.39

RAX Disc Size	Minimum Burst Pressures (Barg @ 22°C)									Maximum Burst Pressure		MNFA (cm ²)
	With Liner RAX-L	316ss		Inconel		Monel		Nickel		Liquid	Gas	
		Liquid	Gas	Liquid	Gas	Liquid	Gas	Liquid	Gas			
GAS SERVICE DISC ONLY, FOR LIQUID APPLICATIONS A GAS POCKET IS REQUIRED BELOW THE DISC												
1" / 25mm	6.34	15.24		9.72		8.41		6.34		68.97		5.55
1 ½" / 40mm	5.59	16.14		6.76		6.76		5.59		68.97		13.21
2" / 50mm	4.14	12.97		5.72		5.72		4.14		68.97		21.68
3" / 80mm	3.79	10.62		4.55		4.48		3.79		68.97		47.68
4" / 100mm	2.76	8.41		3.72		3.79		3.31		55.17		82.13
6" / 150mm	2.41	6.48		3.24		3.03		2.41		55.17		192.84
8" / 200mm	2.28	♦		3.03		2.83		2.28		48.28		322.77
10" / 250mm	2.07	♦		2.76		2.69		2.07		48.28		508.71
12" / 300mm	1.86	♦		2.55		2.48		1.86		41.38		722.58

Maximum Temperature	260°C	482°C	482°C	482°C	399°C
---------------------	-------	-------	-------	-------	-------