

Explosive Proof Pulse Valves -PX1020 Series (G3/4", G1", G1 1/2")

GENERAL FEATURES

- The pulse valves are especially used for dust collector service application or similar systems.
- Compact design, high reliability, flow rate, quality and performance; long life.
- Extremely fast opening and closing
- Working Temperature: -40°C ... 120°C
- Ambient Temperature: -40°C ... 80°C
- On request; with electronic timer
- Some application; dust filters, bunkers, dust extractors, electrostatic painting cabinets.
- Pulse valves must be used with filtered fluids.
- Protection Class : ATEX

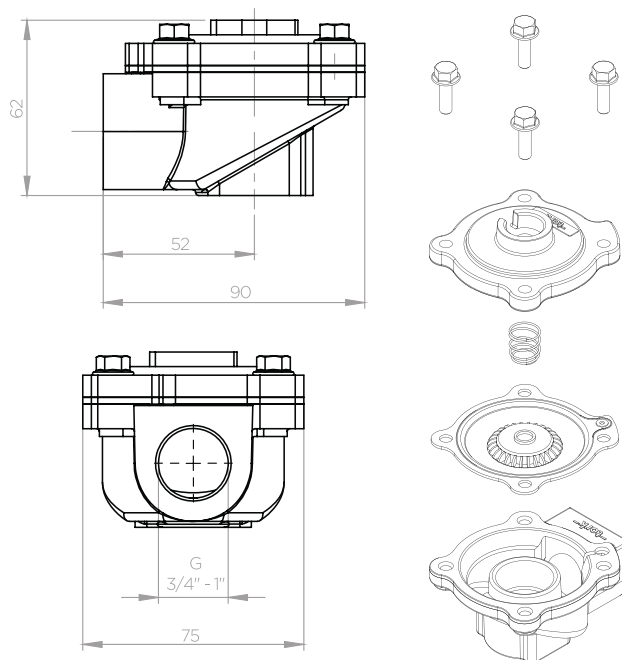
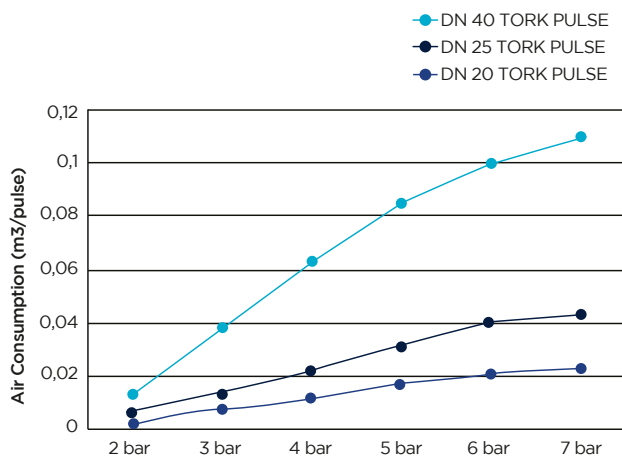
MATERIALS IN CONTACT WITH FLUIDS

Body	: Aluminium
Internal Parts	: Stainless Steel
Sealing	: Thermoplastic
Shading Ring	Copper
Seats	: Aluminium
Core, Tube	: Stainless Steel
Spring	: Stainless Steel
Response Time	: Opening Time : 100 ms
Closing Time	: 100 ms

NORMALLY CLOSED

2/2 WAY

PILOT OPERATED



Valve Order No	Connection Size	Orifice Size	Pressure		Kv	Fluid Temperature		Sealing	Weight
			bar	Lt/min		°C			
PX1020	G	mm	min	max		min	max		(kg)
PX1020.04	3/4"	25	0,5	8	150	-40	120	Termoplastik	0,69
PX1020.05	1"	30	0,5	8	270	-40	120	Termoplastik	0,68
PX1020.07	1 1/2"	44	0,5	8	774	-40	120	Termoplastik	1,4