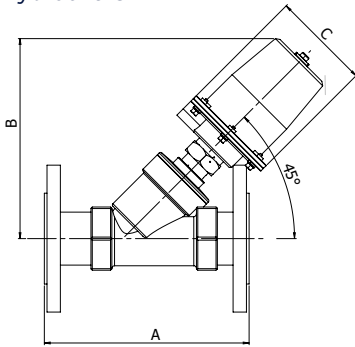


Flanged Connected Pneumatic Piston Valve

PP 1060, PP 1061 Water Hammer Series

Application Areas

Water, Air, Steam, Gas, Chemicals, Petrol Products, Food, Pharmaceutical, Sterilized Environment, Refining, Dye Machines, Packaging Machines, Drinking Water Station, Vacuum Applications, Oil, Petrol, Alcohol, Hydraulic Oil



Type	DN		A	B	C
	mm	Ø	mm	mm	mm
PP1060.03 / PP1061.03	15	1/2"	130	178	96
PP1060.04 / PP1061.04	20	3/4"	150	185	96
PP1060.05 / PP1061.05	25	1"	160	185	96
PP1060.06 / PP1061.06	32	1 1/4"	180	234	112
PP1060.07 / PP1061.07	40	1 1/2"	200	240	112
PP1060.08 / PP1061.08	50	2"	230	248	112

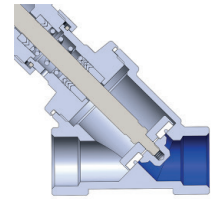


NORMALLY CLOSED

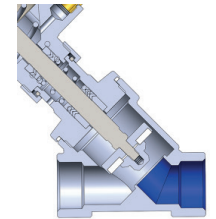
NORMALLY OPEN



PP1060 Serie



PP1061 Serie



PP1060 Serie Normally Closed

Connection Size	Orifice Size	Working Pressure*		Pilot Pressure		Control Cylinder	KV	Fluid Temperature		Seal	Valve Type/ Order No	Weight
		mm	mm	mm	mm			°C	°C			
G"	mm	min	max	min	max	Ø	lt/min	min	max		PP1060	kg
1/2"	15	-1	16	4	8	63	98	-10	180	PTFE	PP1060.03	3.500
3/4"	20	-1	12	4	8	63	170	-10	180	PTFE	PP1060.04	3.790
1"	25	-1	8	4	8	63	305	-10	180	PTFE	PP1060.05	4.270
1 1/4"	32	-1	12	4	8	80	460	-10	180	PTFE	PP1060.06	7.000
1 1/2"	40	-1	8	4	8	80	750	-10	180	PTFE	PP1060.07	8.700
2"	50	-1	6	4	8	80	1050	-10	180	PTFE	PP1060.08	9.650

PP1061 Serie Normally Open

Connection Size	Orifice Size	Working Pressure*		Pilot Pressure		Control Cylinder	KV	Fluid Temperature		Seal	Valve Type/ Order No	Weight
		mm	mm	mm	mm			°C	°C			
G"	mm	min	max	min	max	Ø	lt/min	min	max		PP1061	kg
1/2"	15	-1	10	4	8	63	98	-10	180	PTFE	PP1061.03	3.500
3/4"	20	-1	10	4	8	63	170	-10	180	PTFE	PP1061.04	3.790
1"	25	-1	8	4	8	63	305	-10	180	PTFE	PP1061.05	4.270
1 1/4"	32	-1	8	4	8	80	460	-10	180	PTFE	PP1061.06	7.000
1 1/2"	40	-1	6	4	8	80	750	-10	180	PTFE	PP1061.07	8.700
2"	50	-1	6	4	8	80	1050	-10	180	PTFE	PP1061.08	9.650