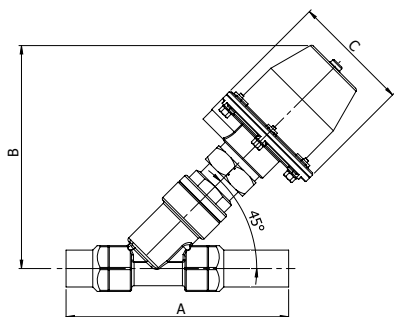


# Welded Connection Pneumatic Piston Valves

## PP 1040, PP 1041 Water Hammer Series

### Application Areas

Water, Air, Vapour, Gas, Chemicals, Petrol Products, Food, Pharmaceutical, Sterilized Environment, Refining, Dye Machines, Packaging Machines, Drinking Water Station, Vacuum Applications, Oil, Petrol, Alcohol, Hydraulic Oil, Salt Water, Natural Gas, Acid



Type	DN		A	B	C
	mm	Ø	mm	mm	mm
PP1040.03 / PP1041.03	15	1/2"	145	178	96
PP1040.04 / PP1041.04	20	3/4"	145	185	96
PP1040.05 / PP1041.05	25	1"	155	185	96
PP1040.06 / PP1041.06	32	1 1/4"	175	234	112
PP1040.07 / PP1041.07	40	1 1/2"	195	240	112
PP1040.08 / PP1041.08	50	2"	225	248	112

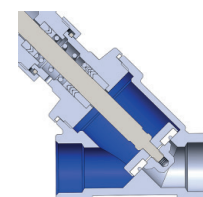


**NORMALLY CLOSED**

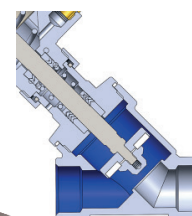
**NORMALLY OPEN**



PP1040 Serie



PP1041 Serie



### PP1040 Serie Normally Closed

Connection Size	Orifice Size	Working Pressure*		Pilot Pressure		Control Cylinder	KV	Fluid Temperature		Seal	Valve Type/ Order No	Weight
		mm	mm	mm	mm			°C	°C			
G"	mm	min	max	min	max	Ø	lt/min	min	max	PP1040	kg	
1/2"	15	-1	16	4	8	63	98	-10	180	PTFE	PP1040.03	2.320
3/4"	20	-1	12	4	8	63	170	-10	180	PTFE	PP1040.04	2.520
1"	25	-1	8	4	8	63	305	-10	180	PTFE	PP1040.05	2.830
1 1/4"	32	-1	12	4	8	80	460	-10	180	PTFE	PP1040.06	4.400
1 1/2"	40	-1	8	4	8	80	750	-10	180	PTFE	PP1040.07	5.550
2"	50	-1	6	4	8	80	1050	-10	180	PTFE	PP1040.08	6.500

### PP1041 Serie Normally Open

Connection Size	Orifice Size	Working Pressure*		Pilot Pressure		Control Cylinder	KV	Fluid Temperature		Seal	Valve Type/ Order No	Weight
		mm	mm	mm	mm			°C	°C			
G"	mm	min	max	min	max	Ø	lt/min	min	max	PP1041	kg	
1/2"	15	-1	10	4	8	63	98	-10	180	PTFE	PP1041.03	2.320
3/4"	20	-1	10	4	8	63	170	-10	180	PTFE	PP1041.04	2.520
1"	25	-1	8	4	8	63	305	-10	180	PTFE	PP1041.05	2.830
1 1/4"	32	-1	8	4	8	80	460	-10	180	PTFE	PP1041.06	4.400
1 1/2"	40	-1	6	4	8	80	750	-10	180	PTFE	PP1041.07	5.550
2"	50	-1	6	4	8	80	1050	-10	180	PTFE	PP1041.08	6.500

\* The maximum working pressure in the tables is given according to the pilot pressure of 6 bar.