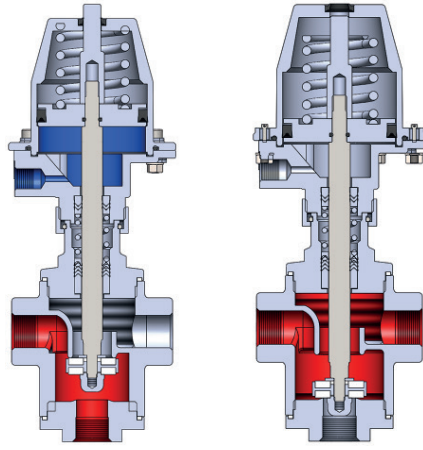


Pneumatic Piston Valves 3/2 Way

PP 1025, PP 1026 Water Hammer Series

Application Areas

Water, Air, Steam, Gas, Chemicals, Petrol Products, Food, Pharmaceutical, Sterilized Environment, Refining, Dye Machines, Packaging Machines, Drinking Water Station, Vacuum Applications, Oil, Petrol, Alcohol, Hydraulic Oil, Salt Water, Natural Gas



Normally Closed

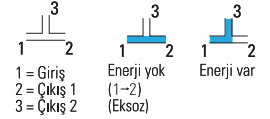
Normally Open



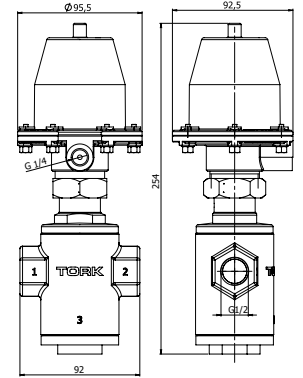
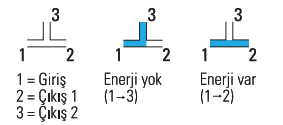
NORMALLY CLOSED

NORMALLY OPEN

PP1025 Serie



PP1026 Serie



PP1025 Serie Normally Closed

Connection Size	Orifice Size	Working Pressure*		Pilot Pressure		Control Cylinder	KV	Fluid Temperature		Seal	Valve Type/ Order No	Weight
		mm min	mm max	mm min	mm max			°C min	°C max			
G"	mm					Ø	lt/min				PP1025	kg
1/2"	22	-1	10	4	8	63	98	-10	180	PTFE	PP1025.03	3
3/4"	22	-1	10	4	8	63	170	-10	180	PTFE	PP1025.04	3.690

PP1026 Serie Normally Open

Connection Size	Orifice Size	Working Pressure*		Pilot Pressure		Control Cylinder	KV	Fluid Temperature		Seal	Valve Type/ Order No	Weight
		mm min	mm max	mm min	mm max			°C min	°C max			
G"	mm					Ø	lt/min				PP1026	kg
1/2"	22	-1	10	4	8	63	98	-10	180	PTFE	PP1026.03	3
3/4"	22	-1	10	4	8	63	170	-10	180	PTFE	PP10 26.04	3.1

* The maximum working pressure in the tables is given according to the pilot pressure of 6 bar.