

Coupling Connection Remote Control Pulse Valve - PL1050 Series (G3/4", G1", G1 1/2")

GENERAL FEATURES

- The pulse valves are especially used for dust collector service application or similar systems.
- Compact design, high reliability, flow rate, quality and performance; long life.
- Extremely fast opening and closing
- Working Temperature: -40°C ... 160°C
- Ambient Temperature: -20°C ... 80°C
- On request; with electronic timer
- Some application; dust filters, bunkers, dust extractors, electrostatic painting cabinets.
- Pulse valves must be used with filtered fluids.

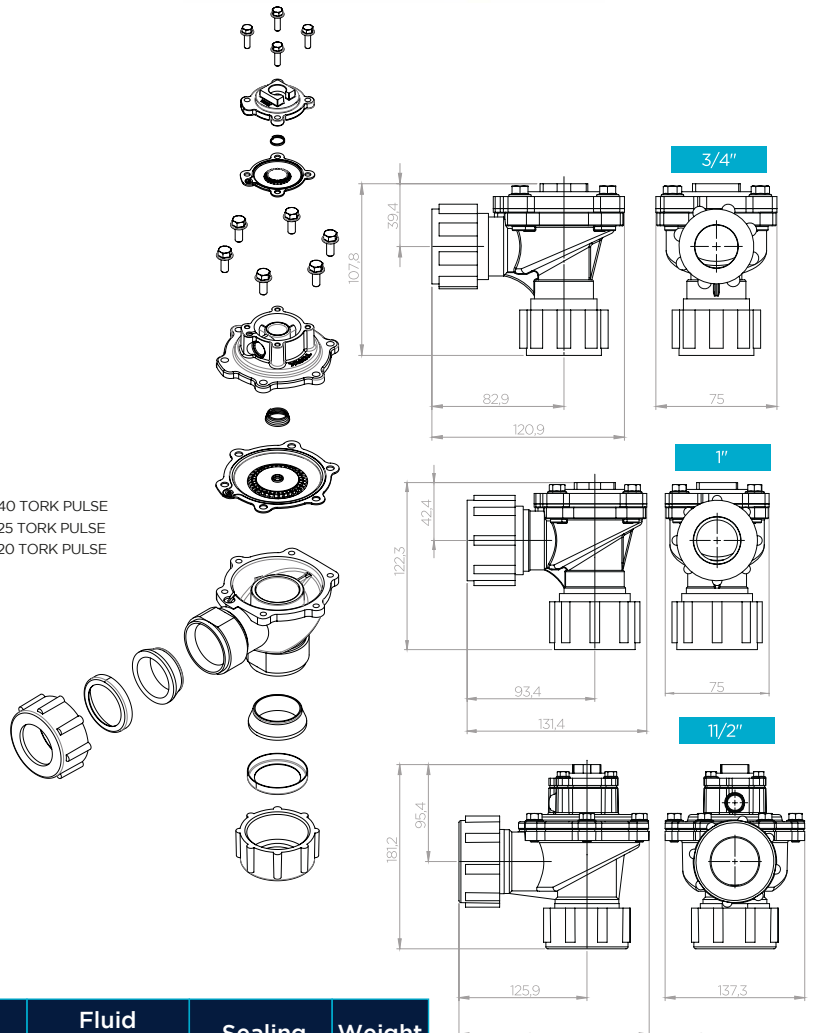
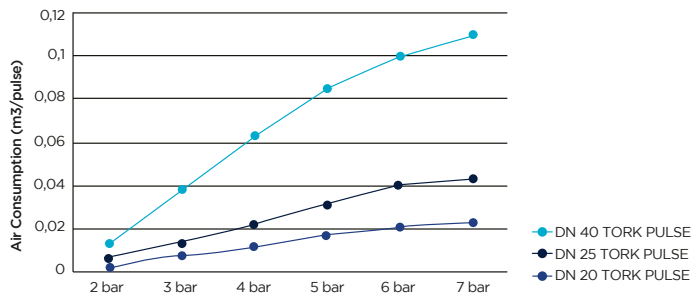
MATERIALS IN CONTACT WITH FLUIDS

Body	: Aluminium
Internal Parts	: Stainless Steel and Brass
Sealing	: Thermoplastic
Shading Ring	: Copper
Seats	: Aluminium
Core, Tube	: Stainless Steel
Spring	: Stainless Steel

NORMALLY CLOSED

2/2 WAY

PILOT OPERATED



Valve Order No	Connection Size	Orifice Size	Pressure		Kv	Fluid Temperature		Sealing	Weight
			min	max		min	max		
PL1050	G	mm	bar		Lt/min	°C			(kg)
			min	max		min	max		
PL1050.04	3/4" - 3/4"	25	0,5	8	150	-10	80	NBR	0,55
						-10	160	Viton	
						-40	120	Thermoplastik	
PL1050.05	1" - 1"	30	0,5	8	270	-10	80	NBR	0,86
						-10	160	Viton	
						-40	120	Thermoplastik	
PL1050.07	1 1/2" - 1 1/2"	44	0,5	8	774	-10	80	NBR	1,67
						-10	160	Viton	
						-40	120	Thermoplastik	