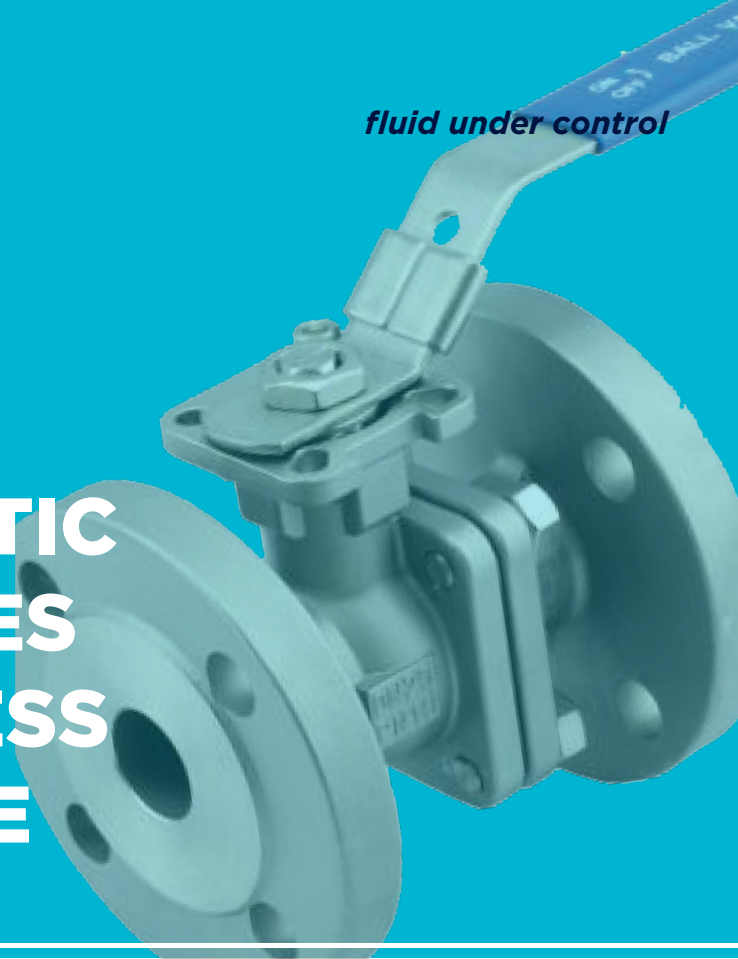


2/2 WAY PNEUMATIC ACTUATED 2 PIECES FLANGED STAINLESS STEEL BALL VALVE (PAV-906F.DA/SR)



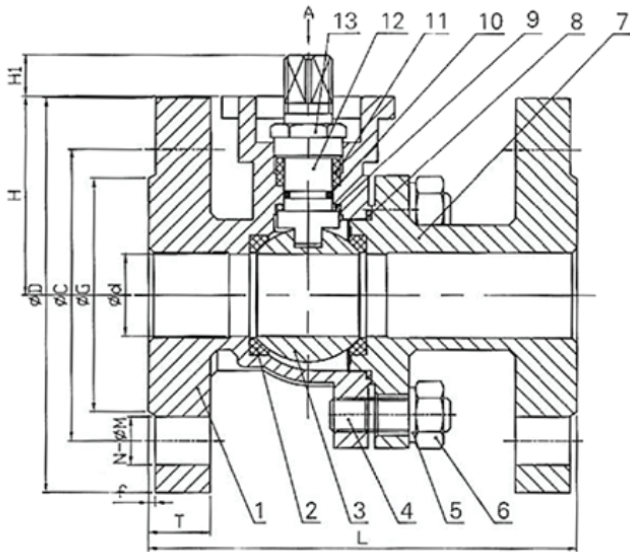
Ball Valve Details

Body	: SS304 / SS316
Ball	: SS304 / SS316
Cover Flange	: ISO5211
Working Pressure	: PN16
Flange Connection	: PN16
Way	: 2/2
Size	: 1/2" ... 2"
Applications	: • Chemical Industry • For acids and chemical controls • For purpose of drain and stopper at the end of the line • Treatment plants • Stainless Steel Resistant Fluid Types
Sealing	: PTFE

Pneumatic Actuator Details

Type	: Single Acting, Double Acting
Position	: 2 Positions, 3 Positions
Angle of Rotation	: 90°, 120°, 180°
Protection Class	: IP65, IP68
ATEX Protection Class	: II 2GDc T4
Working Pressure	: 4...8 Bar
Working Temperature	: -10°C...+80°C (-50°C...80°C)
Torque Range	: 9Nm...5162 Nm
Body	: Aluminium Extrusion
Strok Adjustment	: ± 5°
Accessories	: Switch Box, Namur Valve, Positioner, Manual Override
Fluid Control	: On/Off, Proportional
Valve Connection	: ISO 5211
Accessories Connections	: Namur standards

▶ BALL VALVE SIZE



SIZE	d	D	C	G	t	T	N-ΦM	L	H	H1	K	K1	ΦB	ΦA	S	ISO 5211
15	15	95	65	45	2	16	4 - Φ14	115	50	10	42	36	6	6	9	F04
20	20	105	75	58	2	18	4 - Φ14	120	55	10	42	36	6	6	9	F04
25	24	115	85	68	2	18	4 - Φ14	125	58	12	50	42	7	6	11	F05
32	32	140	100	78	2	18	4 - Φ18	130	42	12	50	42	7	6	11	F05
40	38	150	110	88	3	18	4 - Φ18	140	76	14	70	50	9	7	14	F07
50	46	165	125	102	3	20	4 - Φ18	150	85	14	70	50	9	7	14	F07

▶ BALL VALVE MATERIAL

P. NO	PART NAME	MATERIAL TYPE	PIECE
1	Body	AISI 316 / AISI 304	1
2	Hand Wheel Sealing	PTFE	2
3	Ball	SS304 / SS316	1
4	Screw	SS304 / SS316	2
5	Upper Stamp	SS304 / SS316	1
6	Pressure Nut	SS304 / SS316	1
7	Input-Output	SS304 / SS316	2
8	Sealing	SS304 / SS316	2
9	Clamping Washer	PTFE	1
10	O-Rings	PTFE	1
11	Pulley Sealing	PTFE	4 + 12
12	Body Pulley	SS304 / SS316	8 - 12
13	Direction Bar	SS304 / SS316	

Ball Valve Code : Tork-KV.906F
Single Acting Actuated Ball Valve Code : PAV-906F.SR
Double Acting Actuated Ball Valve Code: PAV-906F.DA