

KV902 BALL VALVE



GENERAL DETAILS

- Ball valves are brass; The actuator is designed for easy and quick installation.
- Made of durable and long-lasting material, it is resistant to abrasion. Actuator connections according to ISO 5211.

TECHNICAL DETAILS

- Full transition
- Excellent sealing at low and high pressures
- Fast 90 degree opening operation
- No need maintenance

THREAD

UNI EN 10226 thread.

WORKING PRESSURE

Refer to the table from PN 40 (1/4 ") to PN 25 (2" 1/2 PN25).

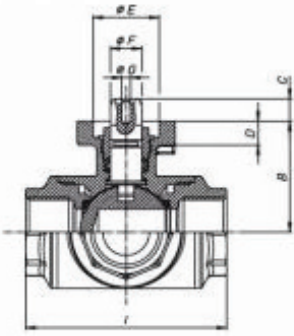
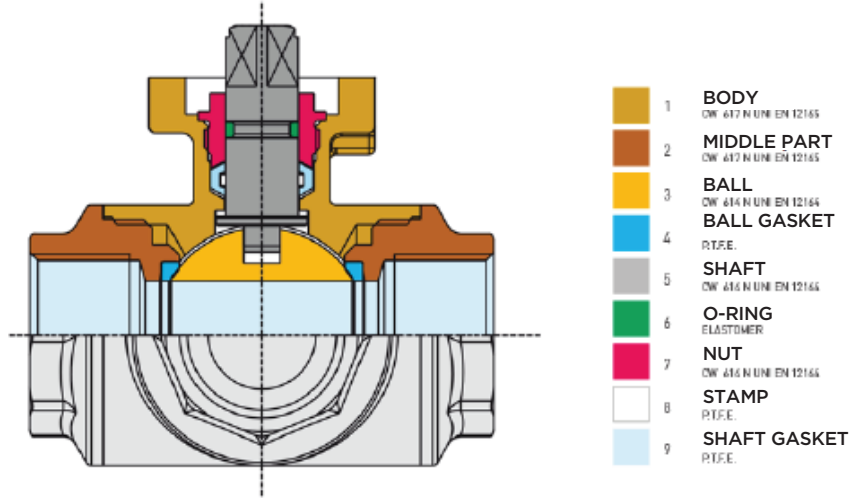
TEMPERATURE

-20 °C / 130 °C

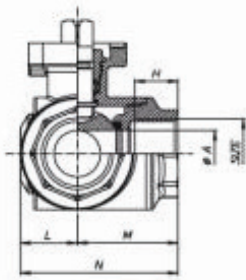
APPLICATION

Ball valves are suitable for hot and cold water, air compressor, oil, hydrocarbon, non-corrosive fluid applications. Refer to the chemical resistance table for different specific uses.

► KV901 KÜRESEL VANA



ÖLÇÜ	-	1/4"	3/8"	1/2"	3/4"	1"	1 1/4"	1 1/2"	2"
DN	-	8	10	15	20	25	32	40	50
PN	-	40	40	40	40	40	40	25	25
Kv	H2O	5,9	9,4	17	41	70	121	200	292
START TORQUE MAX	A PN 0 T 25 °C	5 Nm	5 Nm	5 Nm	6,5 Nm	9,5 Nm	15 Nm	25 Nm	30 Nm



SIZE	1/4"	3/8"	1/2"	3/4"	1"	1" 1/4	1" 1/2	2"
ØA pass./bore	8	10	15	20	25	32	40	50
B mm	38	38	38	42	37,2	61,5	63,5	74
C mm	9	9	9	9	9	11	11	14
D mm	9	5	9	9	9	10	10	12
ØE H8	25	25	25	25	25	30	30	35
ØF mm	10,8	10,8	10,8	11,9	11,9	13,9	13,9	17,9
ØG mm	M4	M4	M4	M4	M4	M4	M4	M5
H mm	15	15	15	16,3	19,1	21,4	21,4	25,7
I mm	64,5	64,5	64,5	76	97	118	135	157
L mm	17	17	17	21,5	26	36	37,5	43
M mm	32,5	32,5	32,5	38	48,5	59	67,5	78,5
N mm	49,5	49,5	49,5	59,56	74,5	95,5	105	121,5
O mm	37	37	37	37	42	48	48	48
ØP mm	F3	F3	F3	F3	F3 - F4	F4-F5	F4 - F5	F5
Q	9	9	9	9	9	11	11	14
ØS mm	5,5	5,5	5,5	5,5	5,5	5,5-6,5	5,5-6,5	6,5
SW mm	25	25	25	31	41	55	55	67
ISO FLANGE	F03	F03	F03	F03	F03/F04	F04/F05	F04/F05	F05

