



PNEUMATIC ACTUATED PVC BUTTERFLY VALVE (PAV-812.DA)



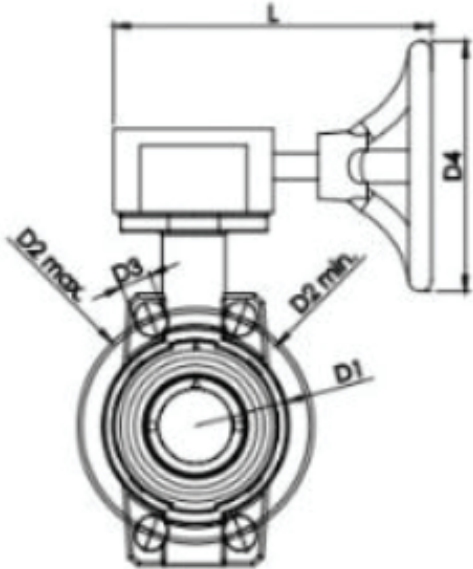
Butterfly Valve Details

Body	: PVC
Disc	: PVC (On request; 3 mm PTFE covering)
Working Pressure	: PN 6
Flange Connection	: PN 6
Valve Type	: Wafer Type
Way	: 2/2
Size	: DN80...DN250
Applications	: • Liquid flow control • Genel Uygulamalar • For purpose of drain and stopper at the end of the line • Treatment plants
Sealing	: NBR, EPDM, Viton, Silicon

Pneumatic Actuator Details

Type	: Single Acting, Double Acting
Position	: 2 Positions, 3 Positions
Angle of Rotation	: 90°, 120°, 180°
Protection Class	: IP65, IP68
ATEX Protection Class	: II 2GDc T4
Working Pressure	: 4...8 Bar
Working Temperature	: -10°C...+80°C (-50°C...80°C)
Torque Range	: 9Nm...5162 Nm
Body	: Aluminium Extrusion
Strok Adjustment	: ± 5°
Accessories	: Switch Box, Namur Valve, Positioner, Manual Override
Fluid Control	: On/Off, Proportional
Valve Connection	: ISO 5211
Accessories Connections	: Namur standards

► BUTTER FLY VALVE SIZES



Butterfly Valve Code

: Tork-KV.W812

Double Acting Actuated Butterfly Valve Code : PAV-812.DA

DN	Diameter	D1 (mm)	D2 (mm)	D3 (mm)	D4 (mm)	L (mm)	H1 (mm)	H2 (mm)	W1 (mm)	W2 (mm)	nGe
Ø 80	90	131	160	19	-	192	89	132	48	-	8x19
Ø 125	140	190	210	23	-	192	116	169	63	-	8x23
Ø 150	160	214	241	24	-	192	129	182	66	-	8x24
Ø 200	225	268	290	24	-	429	198	158	75	-	8x24
Ø 250	250	333	341	362	24	250	198	242	114	-	8x24