

# PNEUMATIC ACTUATED VITON SEALING BUTTERFLY VALVE (PAV-806.DA)



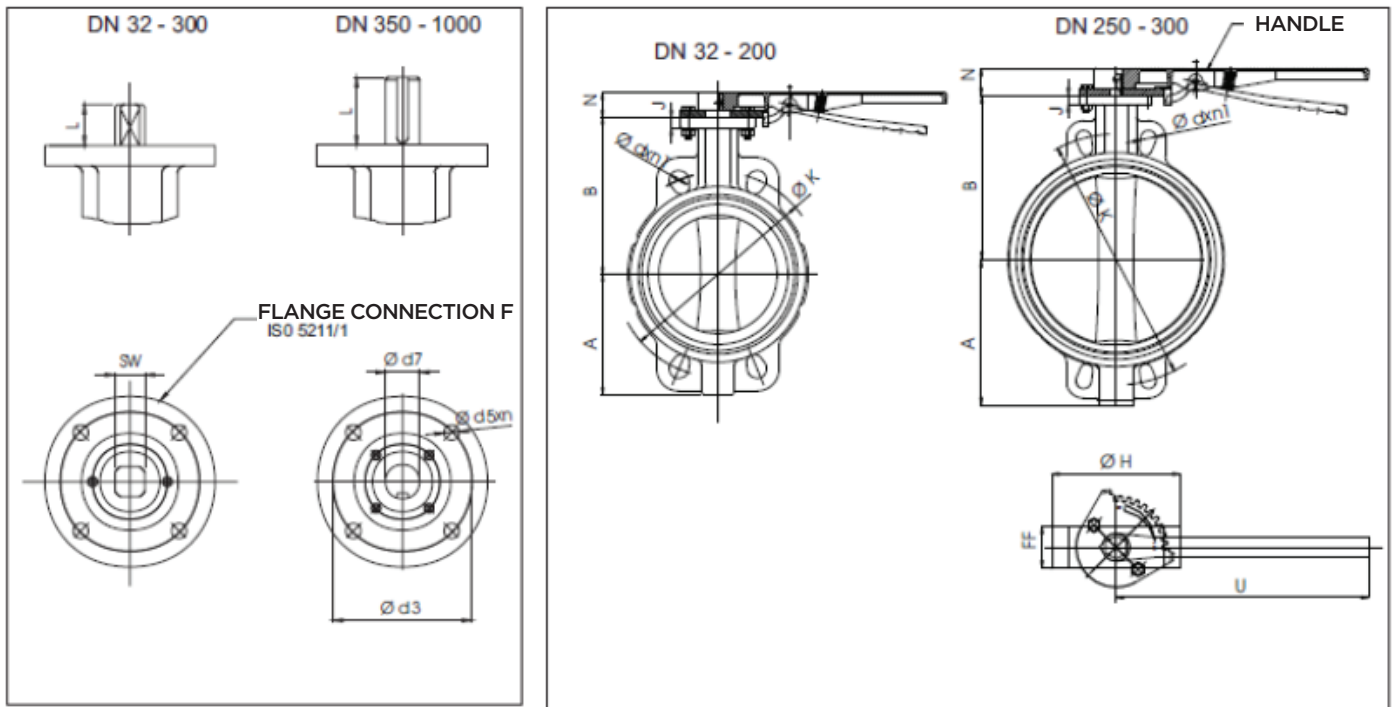
## Butterfly Valve Details

Body	: GG25 epoxy coated
Disc	: 316SS
Working Pressure	: PN 6, PN 10, PN 16
Flange Connection	: PN 6, PN 10, PN 16
Cover Flange	: ISO 5211
Norm	: EN 558-1/20
Test Standard	: EN 12266-1
Valve Type	: Wafer Type
Way	: 2/2
Size	: DN50...DN300
Applications	: • Liquid flow control • For purpose of drain and stopper at the end of the line • Treatment plants
Sealing	: Viton

## Pneumatic Actuator Details

Type	: Single acting, Double Acting
Position	: 2 Positions, 3 Positions
Angle of Rotation	: 90°, 120°, 180°
Protection Class	: IP65, IP68
ATEX Protection Class	: II 2GDc T4
Working Pressure	: 4...8 Bar
Working Temperature	: -10°C...+80°C (-50°C...80°C)
Torque Range	: 9Nm...5162 Nm
Body	: Aluminium Extrusion
Strok Adjustment	: ±5°
Accessories	: Switch Box, Namur Valve, Positioner, Manual Override
Fluid Control	: On/Off, Proportional
Valve Connection	: ISO 5211
Accessories Connections	: Namur standards

## ▶ BUTTERFLY VALVE SIZES



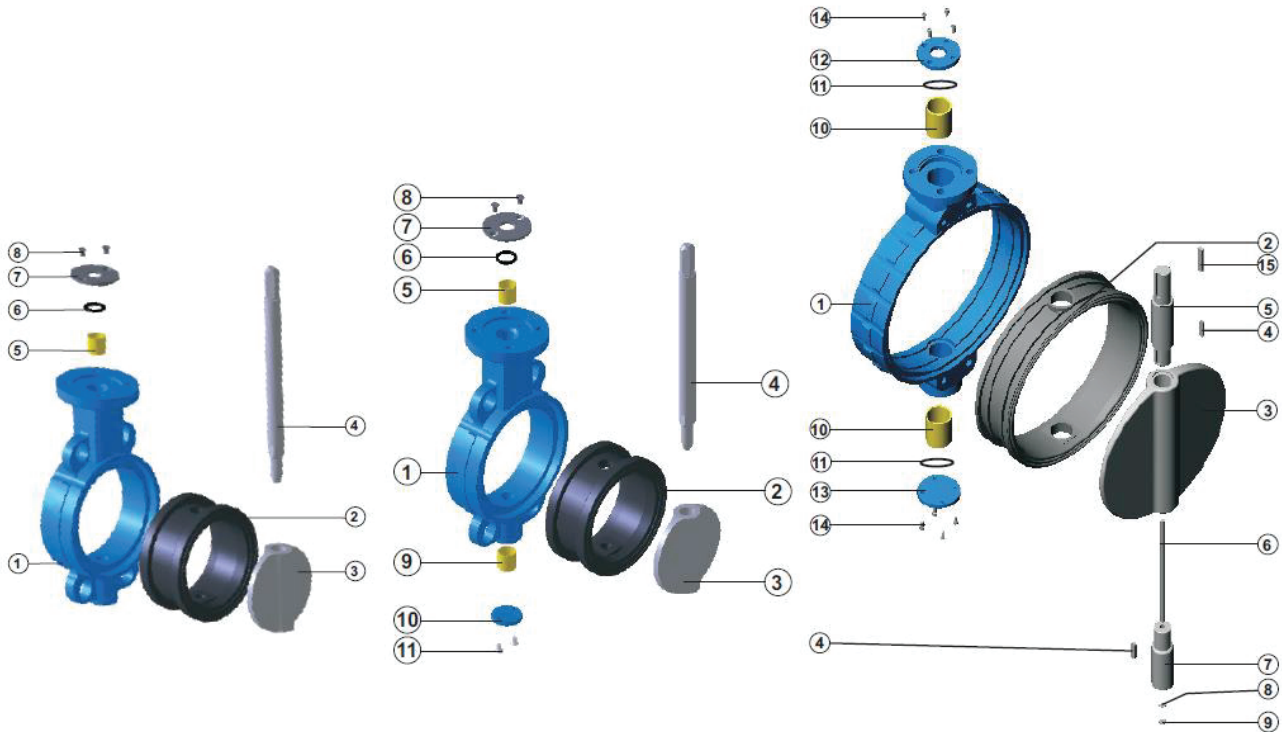
Butterfly Valve Code

: Tork-KV.W1120

Double Acting Actuated Butterfly Valve Code : PAV-806.DA

DN	A	B	FF	Ø H	J	M	N	U	W	Ø T	F	Ø d5xn	□ SW Ø d7	L	Ø d3	PN 10			PN 16		
																Ø K	Ø d	n1	Ø K	Ø d	n1
Ø 32	62	96	40	87	13	50	37	220	159	200	05	7x4	□ 9	20	50	100	Ø 18	4	100	Ø 18	4
Ø 40	62	96	40	87	13	50	37	220	159	200	05	7x4	□ 9	20	50	110	Ø 18	4	110	Ø 18	4
Ø 50	67	108	43	100	13	50	37	220	159	200	05	7x4	□ 9	20	50	125	Ø 18	4	125	Ø 18	4
Ø 65	80	127	46	123	13	50	37	220	159	200	07	9x4	□ 11	20	70	145	Ø 18	4	145	Ø 18	4
Ø 80	99	132	46	137	14	50	37	260	159	200	07	9x4	□ 14	20	70	160	Ø 18	8	160	Ø 18	8
Ø 100	110	155	52	156	14	50	37	260	159	200	07	9x4	□ 14	20	70	180	Ø 18	8	180	Ø 18	8
Ø 125	123	158	56	187	14	50	37	260	159	200	07	9x4	□ 14	20	70	210	Ø 18	8	210	Ø 18	8
Ø 150	141	185	56	212	14	50	37	350	159	200	07	9x4	□ 17	22	70	240	Ø 22	8	240	Ø 22	8
Ø 200	174	213	60	265	15	50	37	350	159	200	07	9x4	□ 17	22	70	295	Ø 22	8	295	Ø 22	12
Ø 250	208	245	68	319	15	75	47	400	238	260	10	11x4	□ 22	32	102	350	Ø 22	12	355	Ø 26	12
Ø 300	250	282	78	372	15	75	47	400	238	260	10	11x4	□ 27	32	102	400	Ø 22	12	410	Ø 26	12

## ► BUTTERFLY VALVE MATERIAL



P. NO	PART NAME	MATERIAL TYPE
1	Body	GG 25, GGG 40-50, GGG 40,3, Al-Bz AISI 316, GS-C25
2	Seat	Viton
3	Disc	AISI 316, Al-Bz, GGG 40-50, GS - C25, UB 6
4	Shaft	AISI 304, AISI 316, AISI 420
5	Bearing	SB (Carbon Steel + PTFE)
6	O-Ring	NBR
7	Stamp	St - 37, A-2
8	Screw	8.8, A-2

Valve				Pneumatic Double Acting Actuator Bracket			Pneumatic Double Acting Actuator Bracket
Valve Size	Valve Sealing	Valve Shaft Square	Flange Connection	Model	Flange Connection	Valve Shaft Square	
DN 32	Viton Sealing	9	50	40	36/50	9	No
DN 40	Viton Sealing	9	50	40	36/50	9	No
DN 50	Viton Sealing	9	50	40	36/50	9	No
DN 65	Viton Sealing	11	70	60	50/70	11	No
DN 80	Viton Sealing	11	70	60	50/70	11	No
DN 100	Viton Sealing	14	70	60	50/70	14	No
DN 125	Viton Sealing	14	70	80	50/70	14	No
DN 150	Viton Sealing	17	70	80	50/70	17	No
DN 200	Viton Sealing	17	70	100	70/102	17	No
DN 250	Viton Sealing	22	102	120	70/102	22	No
DN 300	Viton Sealing	27	102	143	102/140	27	No