

MINI MOTORIZED VALVE RMEA S9190

Features

- Mini dimension suits for small equipment
- Patented technology - floating seal structure
- Long service life - 70000 - 100000 circles
- Low working current, suitable for battery driving
- Manual override is safe and convenient
- IP67 Enclosure
- Humidity <95%

Applications

- HVAC
- Water treatment
- Chemical process
- Small equipment for automatic control

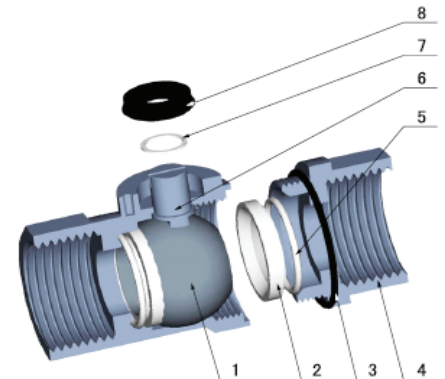


Technical Parameters

| Series | Size | Max Torque | Operating Time | Enclosure | Working Voltage | Max. Power | Max. Pressure | Ambient Temperature | Humidity |
|-------------------|------|------------|----------------|-----------|-----------------|------------|---------------|---------------------|----------|
| RMEA-015-12VAC-DC | 1/2" | 2 Nm | 5-7 sn | IP67 | 12V | 4W | 10 BAR | -20 °C < t < 45 °C | <95% |
| RMEA-015-24VAC-DC | 1/2" | | | | 24V | 4W | | | |
| RMEA-015-230VAC | 1/2" | | | | 230V | 5W | | | |
| RMEA-020-12VAC-DC | 3/4" | | | | 12V | 4W | | | |
| RMEA-020-24VAC-DC | 3/4" | | | | 24V | 4W | | | |
| RMEA-020-230VAC | 3/4" | | | | 230V | 5W | | | |
| RMEA-025-12VAC-DC | 1" | | | | 12V | 4W | | | |
| RMEA-025-24VAC-DC | 1" | | | | 24V | 4W | | | |
| RMEA-025-230AC | 1" | | | | 230V | 5W | | | |

Main Components

| No | Description | Stainless Steel Ball Valve | Brass Ball Valve | Quantity |
|----|-------------|----------------------------|---|----------|
| 1 | Valve Ball | Stainless Steel 304/316 | Stainless Steel (201) /Brass with chrome plating | 1 |
| 2 | Ball Seat | PTFE (Teflon) | PTFE (Teflon) | 2 |
| 3 | O-ring | NBR | NBR | 1 |
| 4 | Valve Body | Stainless Steel 304/316 | Brass with nickel plating | 1 |
| 5 | O-ring | Silicon rubber | Silicon rubber | 2 |
| 6 | Stem | Stainless Steel 304/316 | Brass with nickel plating | 1 |
| 7 | Stem Seat | PTFE (Teflon) | PTFE (Teflon) | 1 |
| 8 | Steam Seat | EPDM | EPDM | 1 |



MINI MOTORIZED VALVE

RMEA S9190

Dimension

| Parts | Material |
|------------------|----------------|
| Actuator housing | ABS |
| Valve body | brass, 304,316 |
| Valve ball | brass, 304,316 |
| Stem | brass, 304,316 |
| Ball seat | PTFE |
| Seal | EPDM |

Full Port Ball Valve Connection Size

| DN | D1/D2 | d | L1/L2 | L3 | F | A | B | C | H3 | H2 | H1 | W (kg) |
|------|-------|----|-------|----|----|------|------|------|----|------|----|--------|
| DN8 | G1/4" | 8 | 11 | 43 | 17 | 66.5 | 54.5 | 16.3 | 48 | 11 | 74 | 0.26 |
| DN15 | G1/2" | 15 | 13 | 57 | 27 | 66.5 | 54.5 | 16.3 | 48 | 16.5 | 77 | 0.37 |
| DN20 | G3/4" | 20 | 16 | 70 | 32 | 66.5 | 54.5 | 16.3 | 48 | 21.5 | 81 | 0.52 |

Reduced Port Ball Valve Connection Size

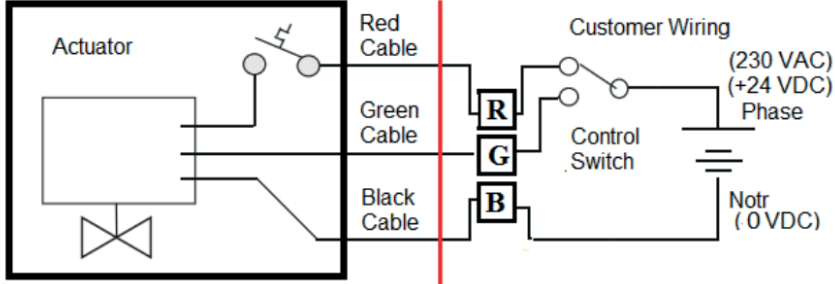
| DN | D1/D2 | d | L1/L2 | L3 | F | A | B | C | H3 | H2 | H1 | W (kg) |
|------|-------|----|-------|------|----|------|------|------|----|------|----|--------|
| DN20 | G3/4" | 15 | 15 | 64.5 | 30 | 66.5 | 54.5 | 16.3 | 48 | 16.5 | 77 | 0.37 |
| DN25 | G1" | 20 | 18 | 76 | 38 | 66.5 | 54.5 | 16.3 | 48 | 21.5 | 81 | 0.52 |

Connection Size

| DN | D1/D2 | d | L1/L2 | L3 | L4/L5/L6 | L | H1 | H2 | F | W (kg) |
|------|-------|----|-------|------|----------|----|------|-------|----|--------|
| DN8 | G1/4" | 6 | 25 | 38.5 | 11.7 | 50 | 11 | 18.25 | 17 | 0.26 |
| DN10 | G3/8" | 8 | 27.5 | 44 | 13 | 55 | 13 | 19.25 | 20 | 0.31 |
| DN15 | G1/2" | 12 | 33.5 | 54.5 | 15 | 67 | 17 | 21.25 | 27 | 0.37 |
| DN20 | G3/4" | 15 | 38.5 | 64 | 15 | 77 | 20.3 | 23.25 | 31 | 0.52 |
| DN25 | G1" | 15 | 47 | 72.5 | 18 | 94 | 20.3 | 23.25 | 38 | 0.84 |

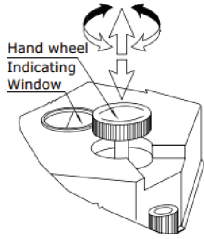
MINI MOTORIZED VALVE RMEA S9190

Wiring Diagram



Instructions

If phase is connected to green cable with using control switch, the valve will open and keep on.
If phase is connected to red cable with using control switch, the valve will close and keep off.



Instructions for Manual override

- It is only permitted to use when power is cut.
- Lift the hand - wheel, and turn it left or right until the valve is in place.
- When the black line on the indicator is horizontal, the valve is on; when vertical, the valve is off.
- Press down hand- wheel after using manual override in order to work properly when power is supplied.