

MANUAL CONTROL UNIT Purple Series

Main Application Manuel Clutch

Our company's products are used in petroleum, chemical, pharmaceutical, water treatment, power plants, nuclear power, and other places, for supporting 90° open ball valves, butterfly valves, plug valves, and other valves. Our company's supplied valve turbine boxes can also be customized according to customer requirements for product speed ratio, usage temperature, protection level, and anti- corrosion level. The company is based in China and faces the international market. Its customers mainly come from well-known valve companies abroad, as well as Middle Eastern countries such as Russia, Brazil, and the United States.

Main Application Manuel Clutch

This manual mechanism is used in combination with pneumatic actuator assembly for manual or pneumatic drive of butterfly valves, ball valves, etc. that open at 90 °.

Characteristic

1. Small size, light weight, reasonable design, and novel style
2. Product serialization, output torque matching with various valves in pneumatic devices.
3. There are two keyways separated by 90° in the inner hole of the turbine connection, so that users can choose the relative position of the device and the valve according to their needs.
4. Lift the limit pull ring and rotate the eccentric device 90° limit pin to automatically limit the position, achieving pneumatic operation, otherwise achieving manual operation.
5. When the product leaves the factory, it is equipped with special lubricating grease. After assembly with the valve, the overall sealing, dustproof, and waterproof protection levels are IP65, IP67, and IP68, which are optional.

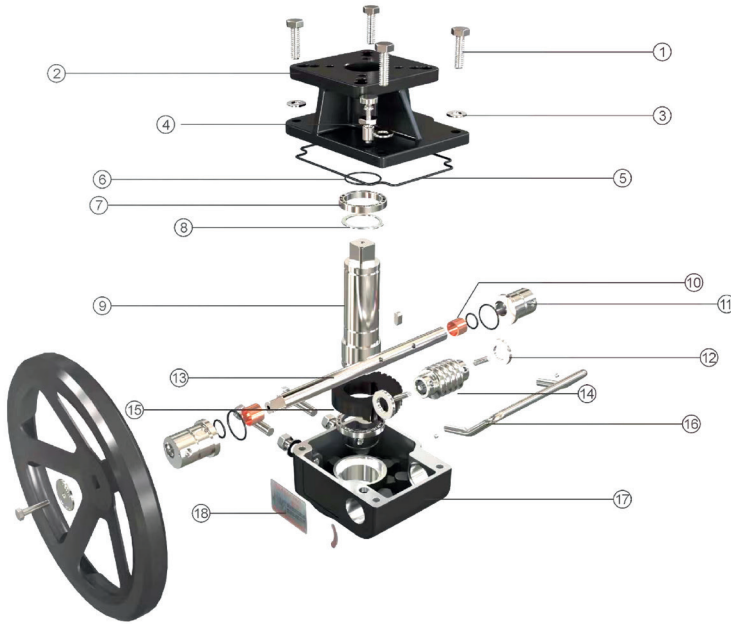


Technical Parameter

Model	Configuration of Actuator		Standard Flange				Handwheel Diameter	Speed Ratio	N.m
	At Double Action(DA)	At Spring Return(SR)	Connecting Dimen. of Valves		Connecting Dimen. of Actuate				
			Center Distance	Alxe Hole	Center Distance	Alxe Hole			
TORK-MOR100	DA52-92	SR52-63	F05/F07	14x14	F05/F07	14x14	180	38:1	180
TORK-MOR450	DA92-105	SR83-105	F07/F10	17x17	F07/F10	17x17	200	37:1	320
TORK-MOR750	DA125-160	SR105-125	F07/F10/F12	22x22	F10/F12	22x22	280	35:1	680
TORK-MOR1500	DA190-210	SR140-160	F10/F12 or F14	27x27	F07/F10 or F14	27x27	320	50:1	1200
TORK-MOR3500	DA240	SR190-210	F14 or F16	36x36	F14 or F16	36x36	400	54:1	2100
TORK-MOR5000	DA270-300	SR240-270	F16	46x46	F16	46x46	500	58:1	3000
TORK-MOR7500	DA270-300	SR240-270	F16/Ø200	46x46	F16/Ø200	46x46	600	66:1	3800

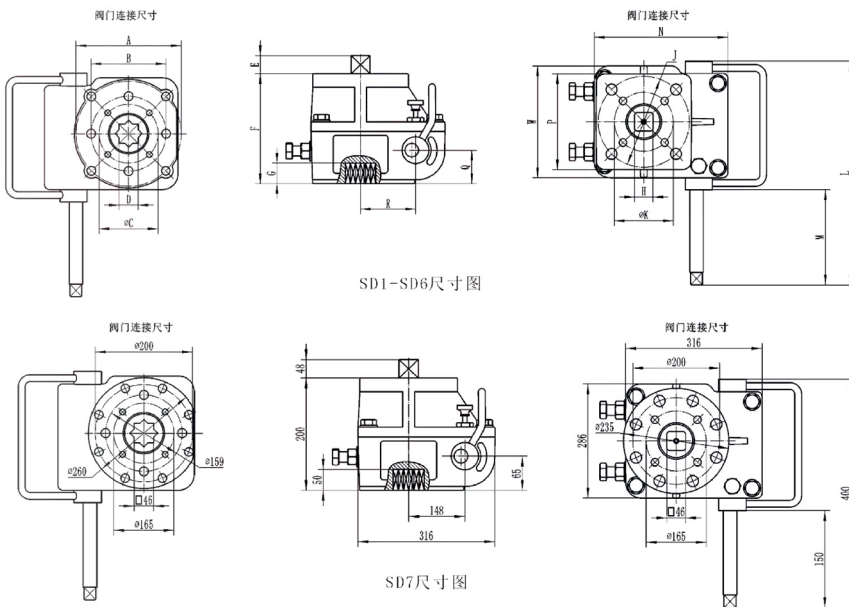
MANUAL CONTROL UNIT Purple Series

Main Components and Materials



No	Name	Material Scienc
1	Fasteners	Stainless Steel(304)
2	Upper Cover	Aluminum Alloy
3	Shim	Stainless Steel(304)
4	Dowel	Stainless Steel(304)
5	Gasket	Nitile Rubber
6	Sealing Ring	Nitile Rubber
7	Bearing	Bearing Steel
8	Circlip	65 Manganese
9	Transmission Main Shaft	Alloy Steel
10	Oil Free Bushing	Copper Alloy
11	Eccentric Sleeve	Alloy Steel
12	Plain Bearing	Bearing Steel
13	Transmission Rod	Alloy Steel
14	Worm	Alloy Steel
15	Turbine	Nodular Cast Iron
16	Handle	Stainless Steel(304)
17	Box	Aluminum Alloy
18	Breastplate	Stainless Steel(304)

Connection Size



Spec. Model	TORK-MOR100	TORK-MOR450	TORK-MOR750	TORK-MOR1500	TORK-MOR3500	TORK-MOR5000	TORK-MOR7500
A	F07	F10	F12	F14	F16	F16	F16
B	Φ57	Φ70	Φ89	Φ108	Φ108	Φ159	Φ159
C	F05	F07	F07/F10	F10/F12	F14	F14	Φ200
D	14*14	17*17	22*22	27*27	36*36	46*46	46*46
E	17	19	22	28	38	48	48
F	105	110	130	165	185	200	Φ200
G	20	22	28	32	40	50	50
H	14*14	17*17	22*22	27*27	36*36	46*46	46*46
N	115	135	160	202	245	288	316
W	90	125	140	187	221	252.5	286.5
J	F07	F10	F12	F14	F16	F16	F16
K	F05	F07	F10	F10/F12	F14	400	Φ200
L	206	243	279	330	370	160	421
M	94	98	126	148	148	465	170
P	70	94	113	129	165	62	Φ235
Q	33	36	39	56	58.5	134	65
R	44	54	65	82	109	Φ500	148
Hand Wheel Outer Diameter	Φ180	Φ200	Φ280	Φ320	Φ400	32.2	Φ600
Reference Weight(kg)	3	4.5	7	13.7	22	45	38