

## KGV SERIES LONG NECK WITH STAINLESS STEEL BODY

KGV Series; stainless steel body, long neck cryogenic globe valve

Suitable for liquefied gases such as nitrogen, oxygen and LNG etc.

- Seal tightness can be adjusted with press nut.
- Neck height dimension can be manufactured upon request.
- Parts in contact with the fluid have passivation covering to increase corrosion resistance.
- Dimensions given in the table below for socket welded valve connection. In addition, it can be manufactured as butt welded, threaded and flanged upon request.
- Operating Temperature : min : -196°C / -321°F (77K)  
max: +120°C / +248°F (393K)

NO	NAME	MATERIAL
1	BODY	AISI 304
2	BONNET	AISI 304
3	NECK PIPE	AISI 316
4	BOLT	A2-70 Quality Metric Bolts
5	STEM	AISI 304
6	PRESS NUT	AISI 304
7	HANDWHEEL	100/125 mm Pressed Steel
8	SEAL GROUP	PTFE ve Graffite PTFE
9	ORIFIS SEAL	PTFE



2/2 WAY GLOBE VALVE

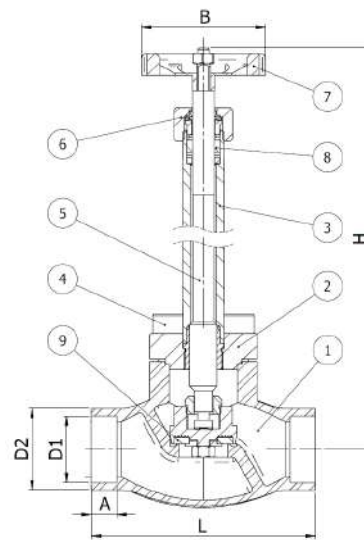
PN50



KRİYOJENİK AKIŞKANLAR



-196°C



KGV Series	DN [mm]	Size	Pressure Value	KV	D2 [mm]	D1 [mm]	A [mm]	L [mm]	H [mm]	B [mm]
KGV.015.00.00.270	15	1/2"	PN50	71,6 lt/min	30	22	10	85	270/370 mm	100
KGV.020.00.00.270	20	3/4"		111,6 lt/min	33,4	27,4	13	100		100
KGV.025.00.00.270	25	1"		191,6 lt/min	42	34,2	13	115		100
KGV.040.00.00.270	40	1 1/2"		233,3 lt/min	57	49	13	130		125
KGV.050.00.00.270	50	2"		376,6 lt/min	70	61	16	155		125
KGV.032.00.00.270	32	1 1/4"		618,3 lt/min	48,5	38,5	13	115		100